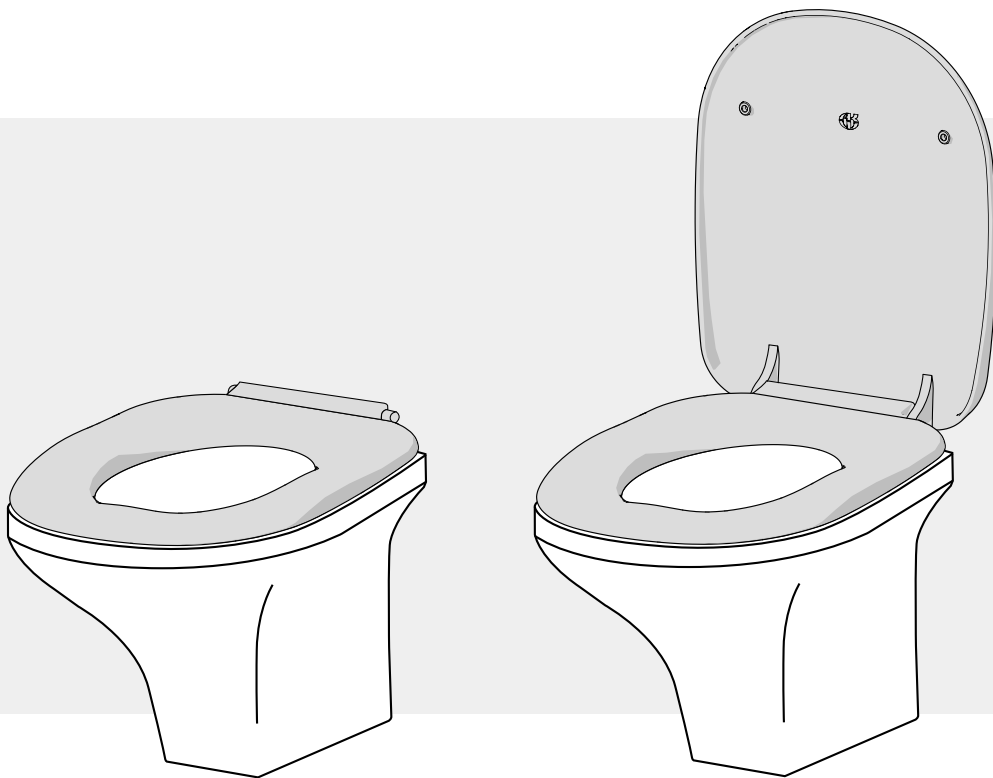


**AKW**  
Life Made Better

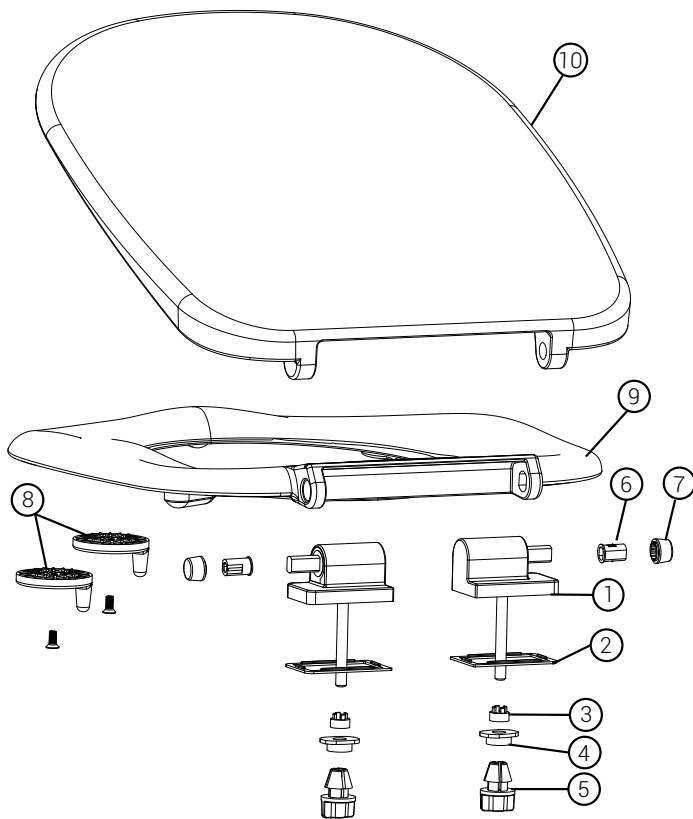
# Ergonomic Toilet Seat

INSTALLATION AND USER MANUAL



Please read all instructions before installation and leave this document with the end user for future reference as it contains important warranty information

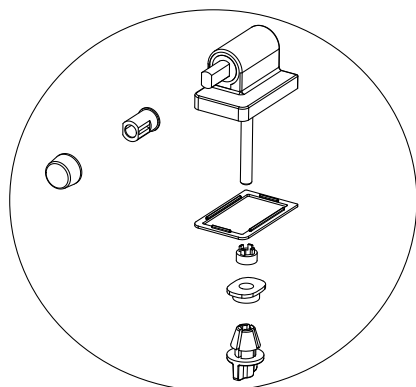
# Components & Installation



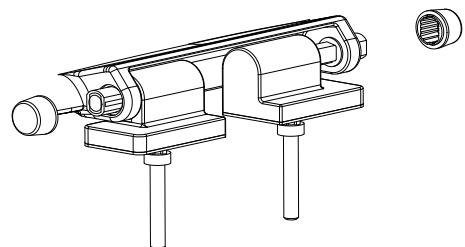
<b>1</b>	Steel Hinge Block
<b>2</b>	Hinge Pad
<b>3</b>	Hinge Spacer
<b>4</b>	Hinge Washer
<b>5</b>	Hinge Block Nut
<b>6</b>	Pivot Sleeve
<b>7</b>	Pivot Cap
<b>8</b>	Adjustable Buffer
<b>9</b>	Toilet Seat
<b>10</b>	Toilet Lid

## Installation Without Lid

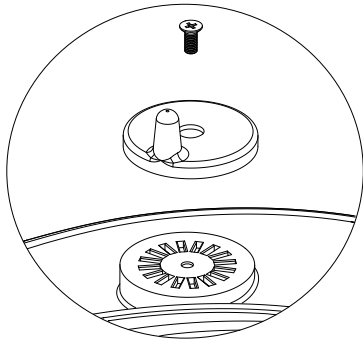
**Step 1** - Remove the washer, spacer and nut.



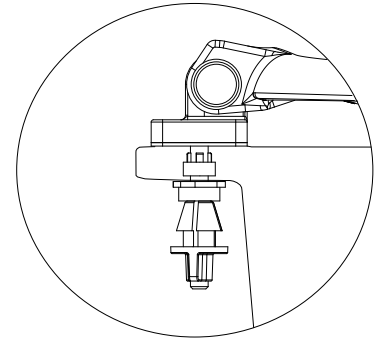
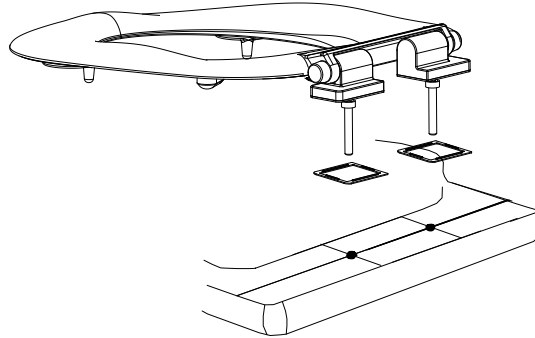
**Step 2** - Fit the hinge blocks to the seat. Note that the hinges are handed and must be fitted to the correct sides. Fit the Pivot caps (7) into place.



**Step 3** - Align and secure the adjustable buffers (8) into position. Ensure these are correctly fitted to position the seat centrally on the toilet.

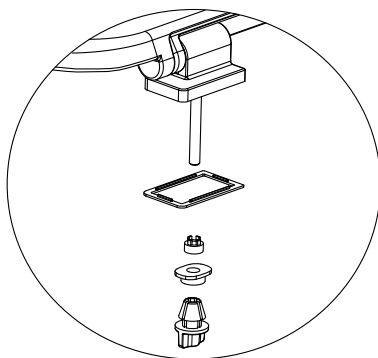


**Step 4** - Align the hinge blocks with the toilet holes and replace the spacer, washer and nut. Repeat for both sides and tighten into position. Ensure the hinge pad (2) is correctly fitted.

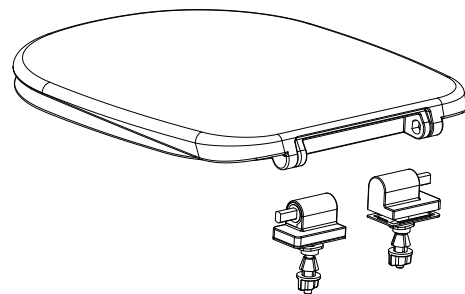


## Installation With Lid

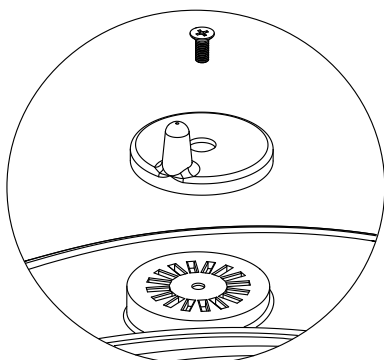
**Step 1** - Remove the washer, spacer and nut.



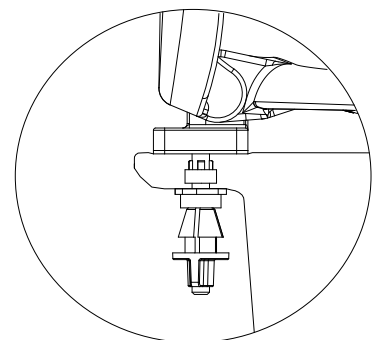
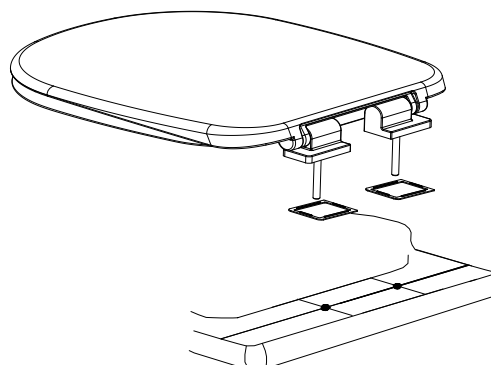
**Step 2** - Fit the hinge blocks to the seat. Note that the hinges are handed and must be fitted to the correct sides.



**Step 3** - Align and secure the adjustable buffers (8) into position. Ensure these are correctly fitted to position the seat centrally on the toilet.



**Step 4** - Align the hinge blocks with the toilet holes and replace the spacer, washer and nut. Repeat for both sides and tighten into position. Ensure the hinge pad is correctly fitted.



# Contact

**AKW**<sup>®</sup>  
Life Made Better

## Orders & Quotes

01905 823 299  
orders@akw-ltd.co.uk

## General Enquiries

01905 823 298  
sales@akw-ltd.co.uk

## Technical Enquiries

01905 560 219  
tech@akw-ltd.co.uk

## Kitchen Enquiries

01905 823 262  
kitchens@akw-ltd.co.uk

## Fax

01905 823 297

## AKW

Pointon Way, Hampton Lovett  
Droitwich Spa, WR9 0LR

[www.akw-ltd.co.uk](http://www.akw-ltd.co.uk)  
[orders.akw-ltd.co.uk](mailto:orders@akw-ltd.co.uk)

## Follow us on Social:



## Guarantee

The life time guarantee applies only to manufacturing or material defects, conditional on the one-time correct installation of the product.

It does not apply to:

- Inappropriate use or accidental damage.
- Damage or defects that result from incorrect installation.
- Lack of maintenance including the build up of grime or damage resulting from inappropriate cleaning.
- Damage or defects that result from repairs or modifications undertaken by unauthorised persons.
- This guarantee excludes general wear and tear through usage and does not apply to surface finishes.

## What to do if something goes wrong?

If you have a problem with this product, please contact your local installer. If this does not resolve the issue, contact the AKW Technical Enquiries who can provide further advice and, if necessary, arrange for a maintenance engineer to visit and report any issues. See the T&Cs on our website or catalogue for further information. None of the foregoing affects your statutory rights.