

(EN) Mounting instruction

(DK) Monteringsvejledning

(DE) Montageanleitung

(FR) Notice de montage

(NL) Montage-voorschrift

(SV) Monteringsanvisning

(NO) Monteringsveiledning

(ES) Instrucciones de montaje

Subject to alteration without further notice. Ret til ændringer forbeholdes. · Recht auf Änderungen sind vorbehalten. · Nous nous réservons le droit d'apporter toutes modifications sans préavis. · Wijzigingen voorbehouden. · Rätten till ändringar förbehålles. · Vi forbeholder oss rett til endringer. · Salvo variaciones.



EN Mounting Instruction

Please read and carefully follow these instructions. Find the product number on the product label and ensure that these assembly instructions match your product.

WARNING: Failure to comply with these instructions may result in accidents involving serious personal injury or the product being damaged.



WARNING: If you suspect that any individual parts may be damaged, contact your Pressalit dealer or service provider. Do not remove, attempt to repair or install parts yourself, unless directed to do so by Pressalit or its agents.

WARNING: No modification of this equipment is allowed without express authorization from Pressalit.

WARNING: These instructions must be followed, and the product must be installed professionally by a qualified person; e.g. a licensed plumber, in order to avoid personal injury or property damage while using the product.

WARNING: Pressalit cannot be held liable for injury to persons or damage to property caused by faulty mounting.

Installation location

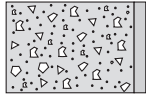
This product is designed for indoor use in a wet environment, such as a bathroom or washroom. When choosing an installation location, ensure that there will be adequate space for access to the product.

Assembly and installation

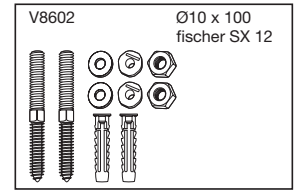
Mount the product in accordance with the illustrations in this assembly instruction. Contact your Pressalit agent, if assistance is needed when installing the product.

Declaration of performance

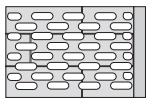
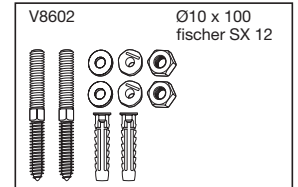
Compliance criteria according to EN 14688:2015		
LR	Load resistance	Pass
	Draining of water	Pass
	Resistance to temperature changes	Pass
	Resistance to chemicals and staining agents	Pass
	Surface stability / resistance to scratching	Pass
CA	Cleanability	Pass
OF	Protection against overflow	R2052: CL 15
		R2053: CL 00
DA	Durability	Pass



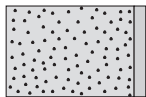
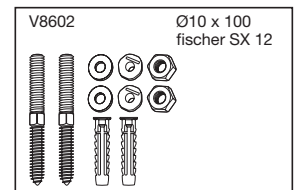
- (EN) Concrete >B25
 (DK) Beton >B25
 (DE) Beton >B25
 (FR) Mur de béton >B25
 (NL) Betonwanden >B25
 (SV) Massiv betong >B25
 (NO) Betonveg >B25
 (ES) Paredes de hormigón >B25



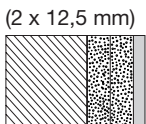
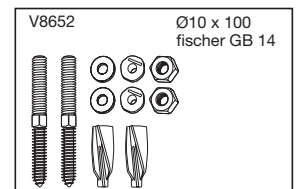
- (EN) Solid Brick >= Mz12
 (DK) Mursten >= Mz12
 (DE) Vollstein >= Mz12
 (FR) Brique pleine >= Mz12
 (NL) Gemetselde wanden >= Mz12
 (SV) Mursten >= Mz12
 (NO) Mursteinsvegger >= Mz12
 (ES) Paredes de ladrillo >= Mz12



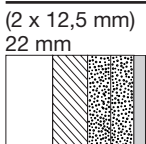
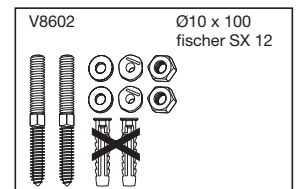
- (EN) Solid Sand Lime Brick >= Hlz12
 (DK) Kalksten >= Hlz12
 (DE) Massiver Kalksandstein >= Hlz12
 (FR) Parpaing plein >= Hlz12
 (NL) Kalksteen >= Hlz12
 (SV) Cementsten >= Hlz12
 (NO) Massiv kalksandstein >= Hlz12
 (ES) Caliza >= Hlz12



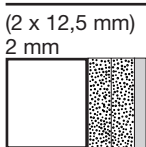
- (EN) Aerated Concrete P4
 (DK) Gasbeton P4
 (DE) Gasbeton P4
 (FR) Béton cellulaire P4
 (NL) Gasbeton P4
 (SV) Lättbetong P4
 (NO) Gassbetong P4
 (ES) Paredes de hormigón poroso P4



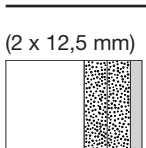
- (EN) Drywall water-resistant, re-enforced with wood
 (DK) Gipsplader vandfast, med træforstærkning
 (DE) Gipsplatten wasserfest, mit Holz
 (FR) Plaque de plâtre imperméable, renforcée de bois
 (NL) Gipsplaten, watervast, versterkt met hout
 (SV) Godkända våtrumsskivor förstärkt med trä
 (NO) Gipsplater vannfast, med rupanel
 (ES) Pared de yeso impermeable, reforzamiento de madera



- (EN) Drywall water-resistant, re-enforced with plywood
 (DK) Gipsplader vandfast, forstærket med krydsfinér
 (DE) Gipsplatten wasserfest, versterkt mit Sperrholz
 (FR) Plaque de plâtre imperméable, renforcée de contreplaqué
 (NL) Gipsplaten, watervast, versterkt met hout
 (SV) Godkända våtrumsskivor förstärkt med kryssfanér
 (NO) Gipsplater vannfast, forsterket med kryssfinér
 (ES) Pared de yeso impermeable, reforzamiento de madera contrachapada



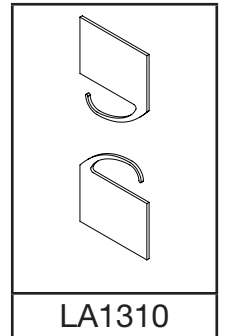
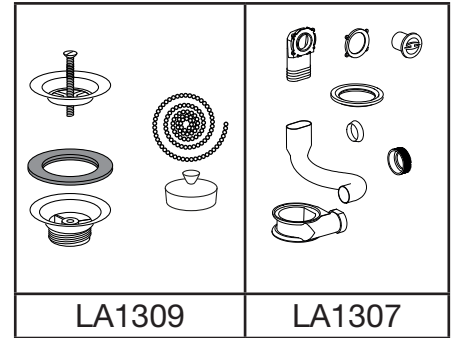
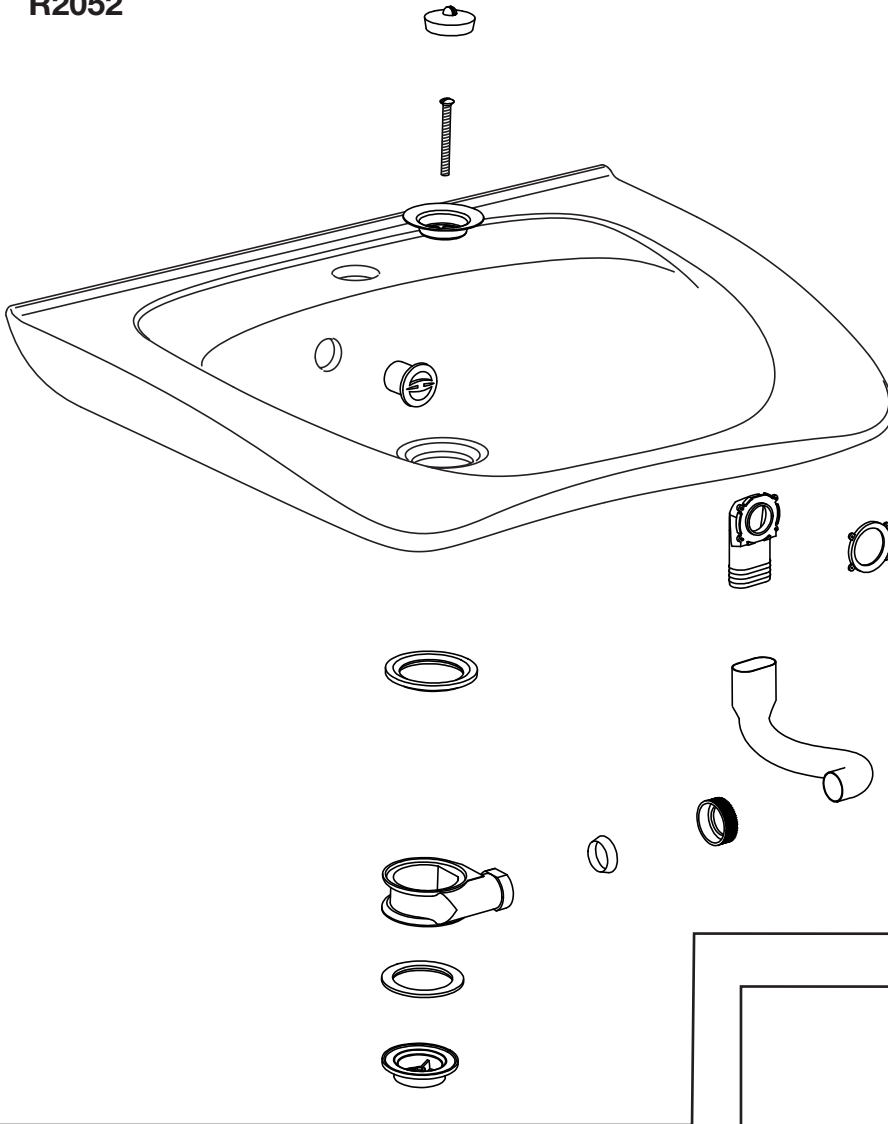
- (EN) Drywall water-resistant, re-enforced with steel plates
 (DK) Gipsplader vandfast, forstærket med stålplader
 (DE) Gipsplatten wasserfest, versterkt mit Stahlplatten
 (FR) Plaque de plâtre imperméable, renforcée d'acier
 (NL) Gipsplaten, watervast, versterkt met staal
 (SV) Godkända våtrumsskivor förstärkt med stål
 (NO) Gipsplater vannfast, forsterket med stålplater
 (ES) Pared de yeso impermeable, reforzamiento de placa de acero



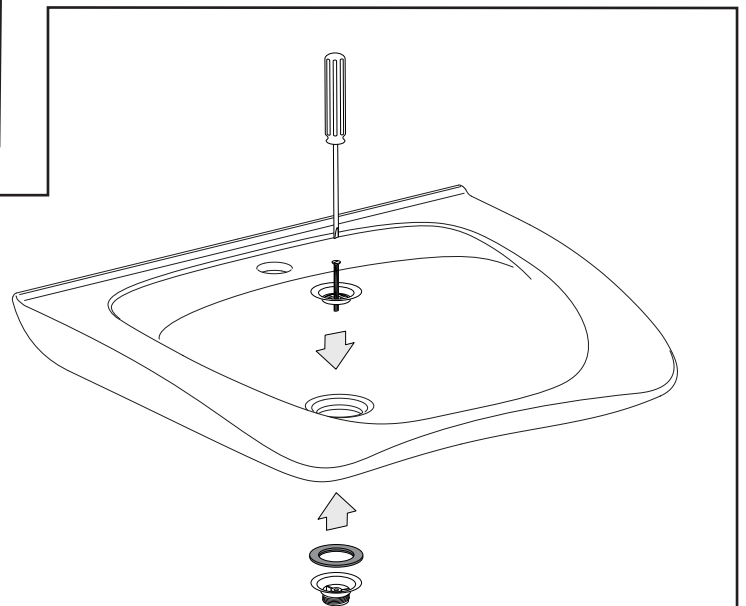
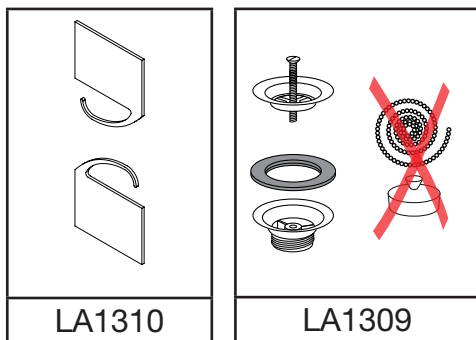
- (EN) Drywall water-resistant
 (DK) Gipsplader vandfaste
 (DE) Gipsplatten wasserfest
 (FR) Plaques de plâtre imperméables
 (NL) Gipsplaten, watervast
 (SV) Godkända våtrumsskivor
 (NO) Gipsplater vannfast
 (ES) Pared de yeso impermeable

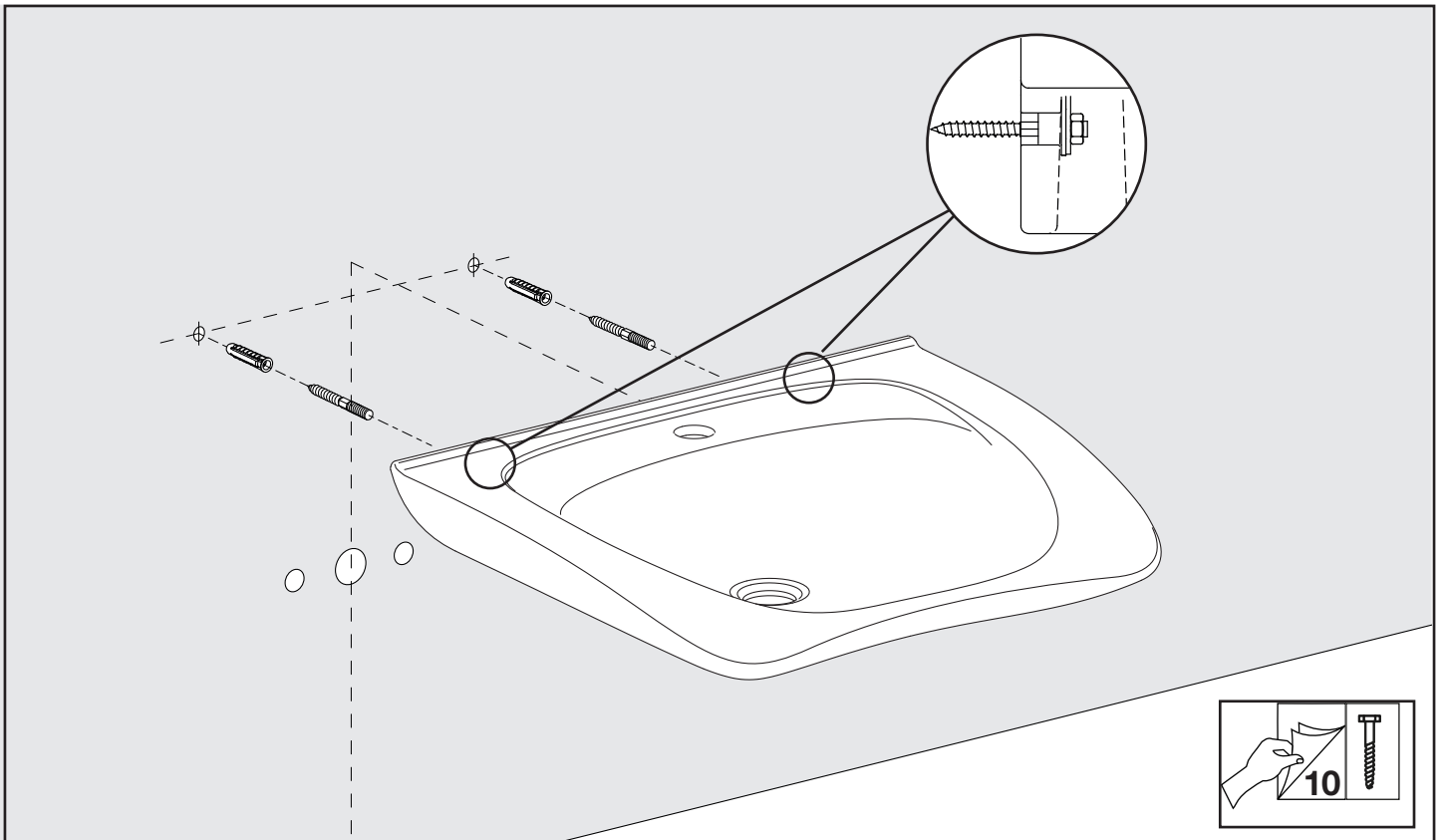
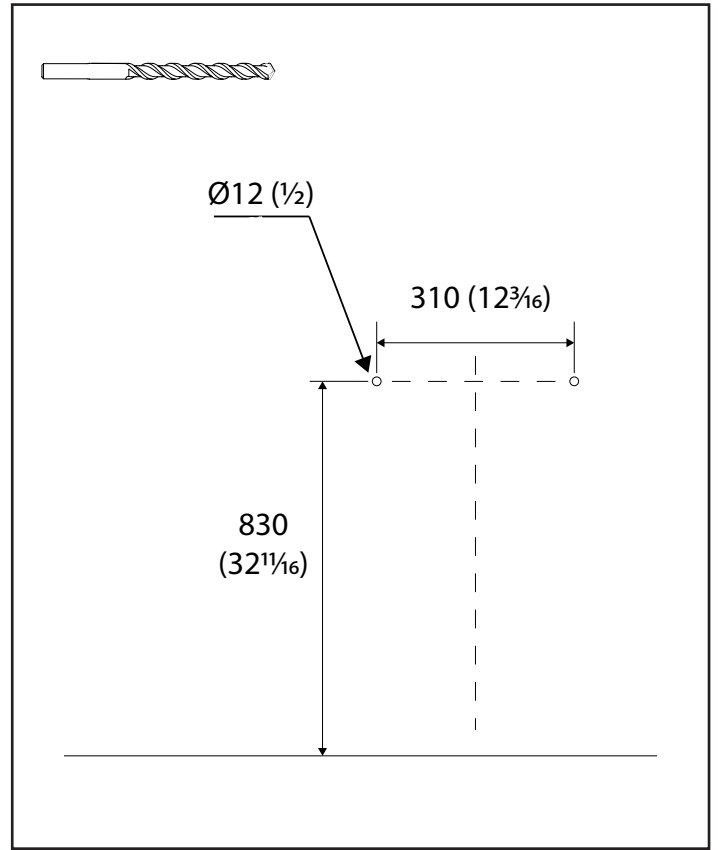
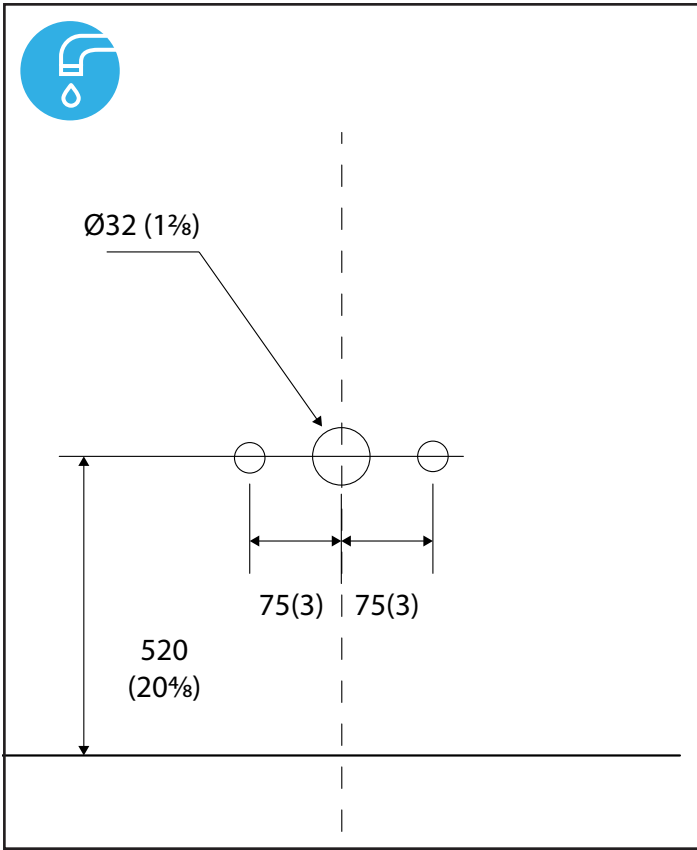


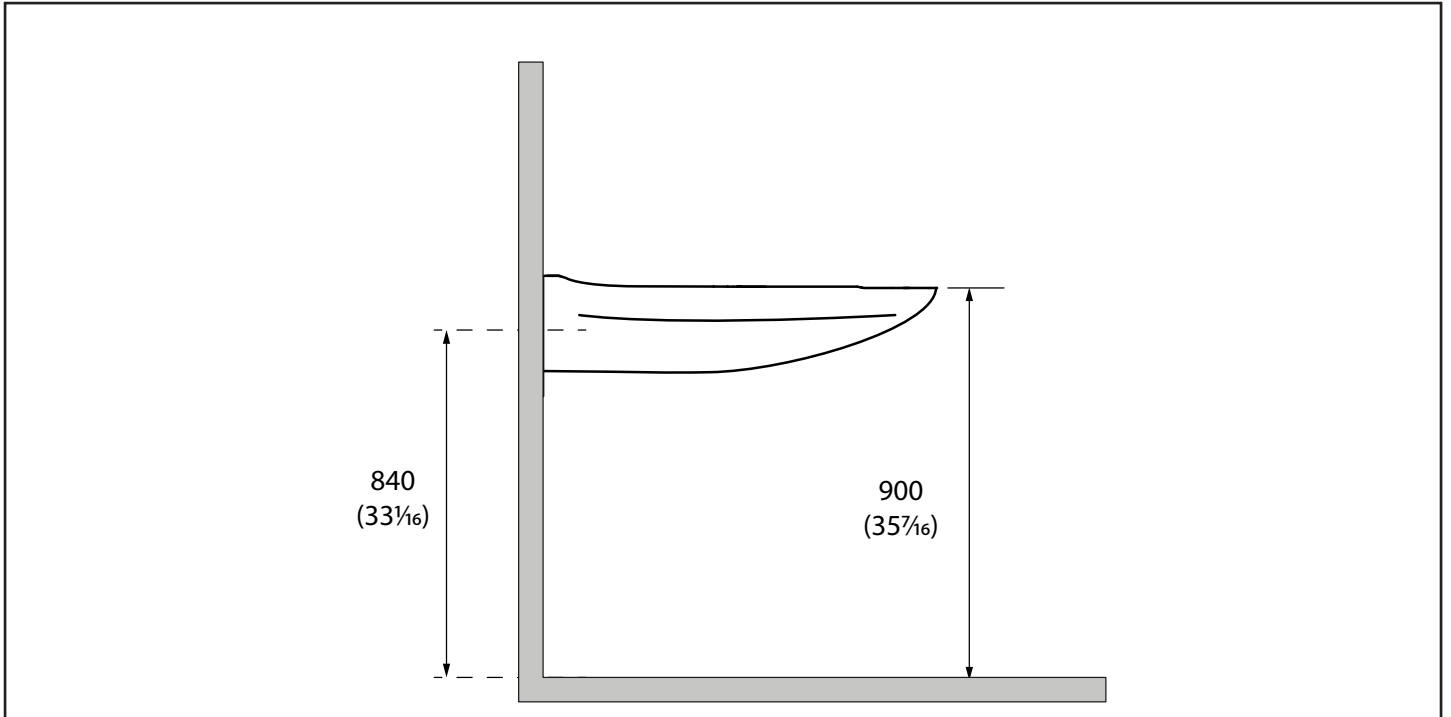
R2052



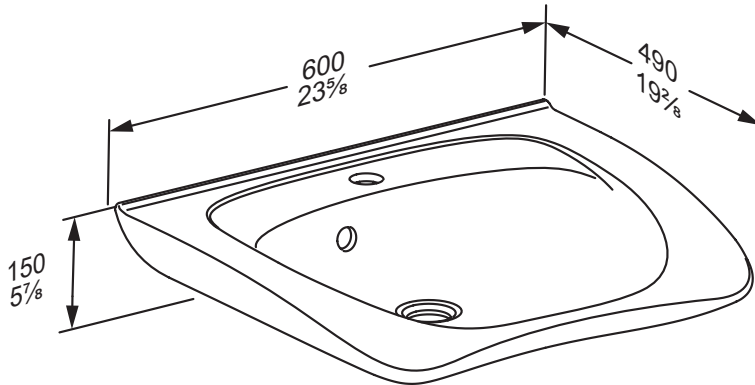
R2053







R2052



R2053

