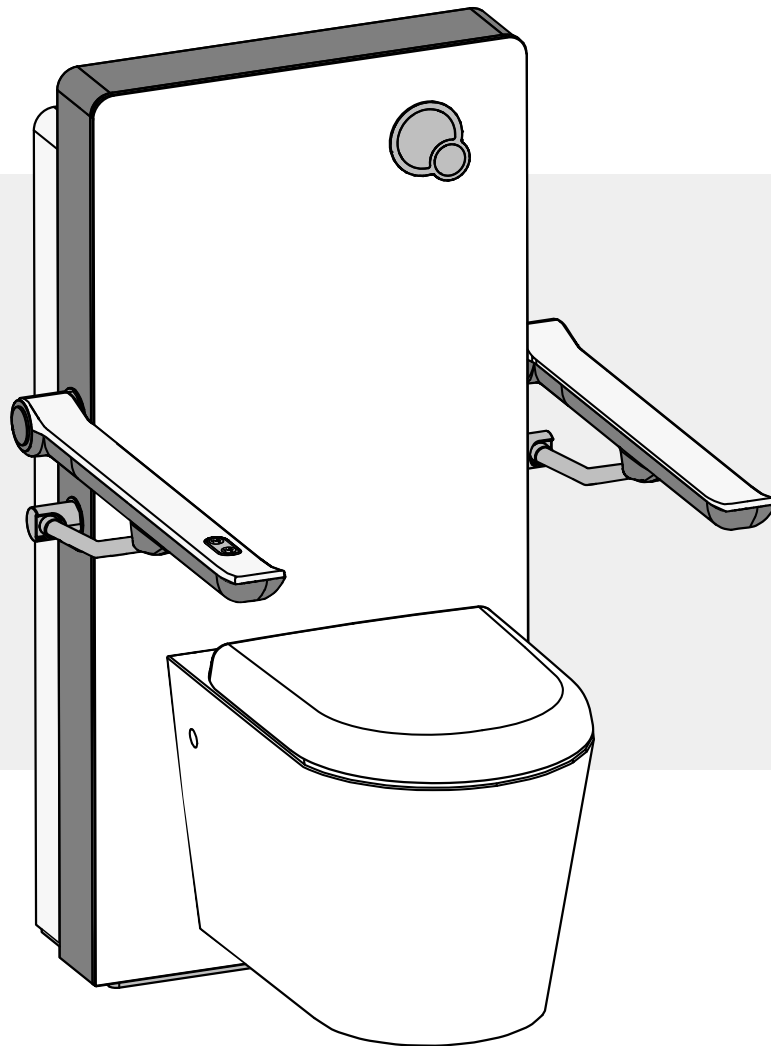


Rise and Fall Cistern Unit

INSTALLATION & USER GUIDE



Stock Code
28403



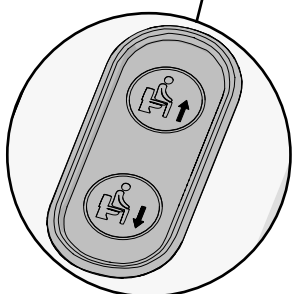
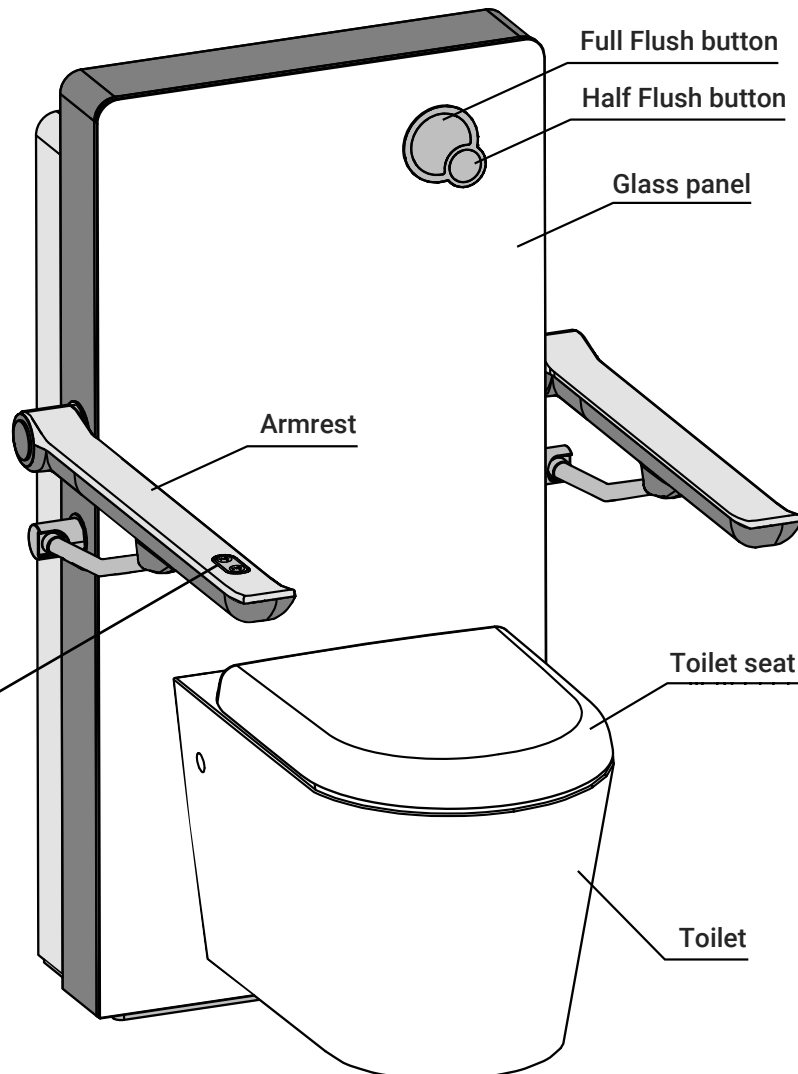
Read all instructions before installation and leave this document with the end user for future reference as it contains important warranty information and how to register the product warranty.

Contents

User Functions	3
Contents	4-5
Technical Specification.....	6
Dimensions.....	7
Important Safety Information.....	8-9
Site Positioning.....	10
Installation - Preparation.....	11-12
Installation - Fixing	13-15
Installation - Waste Outlet	16
Option 1: Standard Toilet Installation.....	17-18
Option 2: AKW Bidet Installation	19-20
Installation - Covers, Panels, Hoses	20-24
Option 2: AKW Bidet and Wall Hung Pan Installation	25
Troubleshooting Guide.....	26
User Care	27
Contact Us.....	28

Flush operation

Press the full flush button to start the full flush cycle of about 6L.
 Press the half flush button to start a reduced flush cycle of about 3L.
 Armrests can be rotated up 90 degrees.

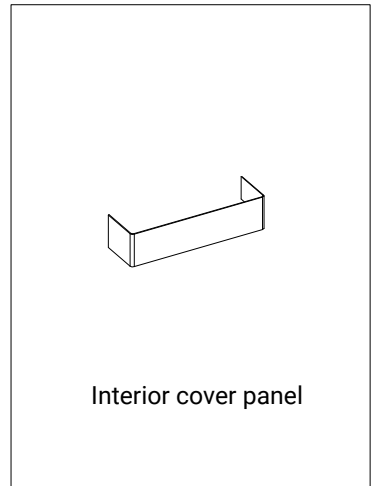
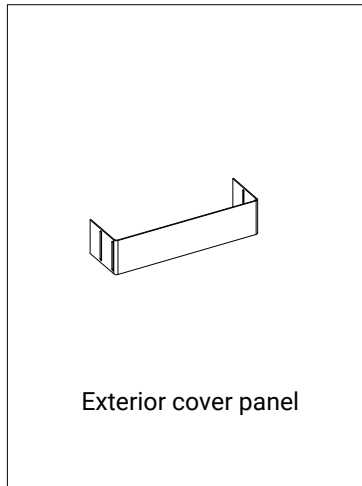
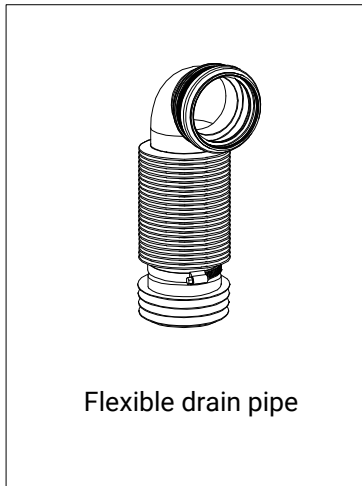
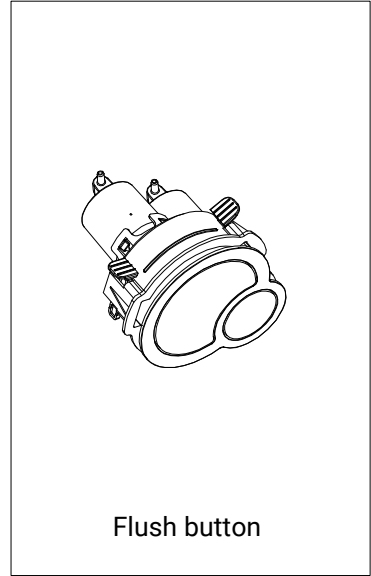
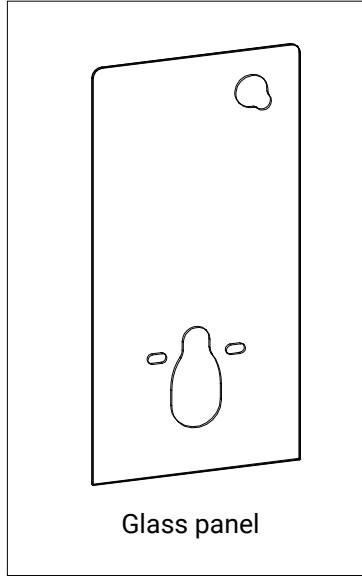
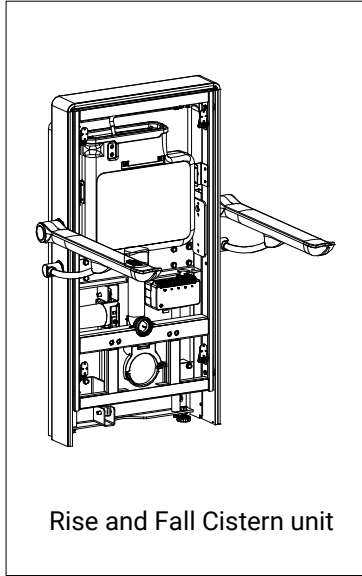




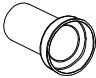







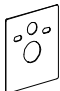

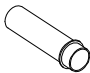



Rise and fall operation

Press and hold the up or down button to raise or lower the unit.
 Release the button to stop. The unit has 200 mm of vertical travel.



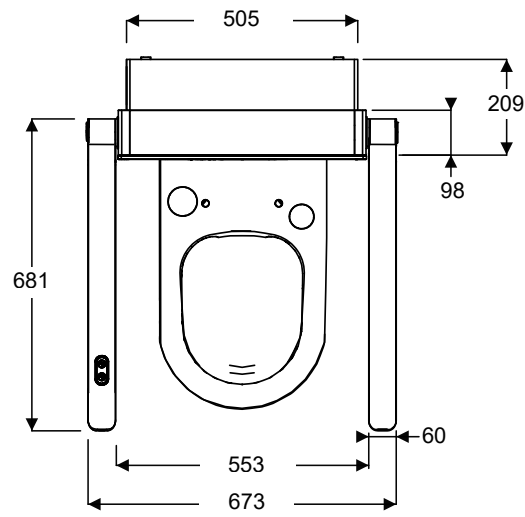
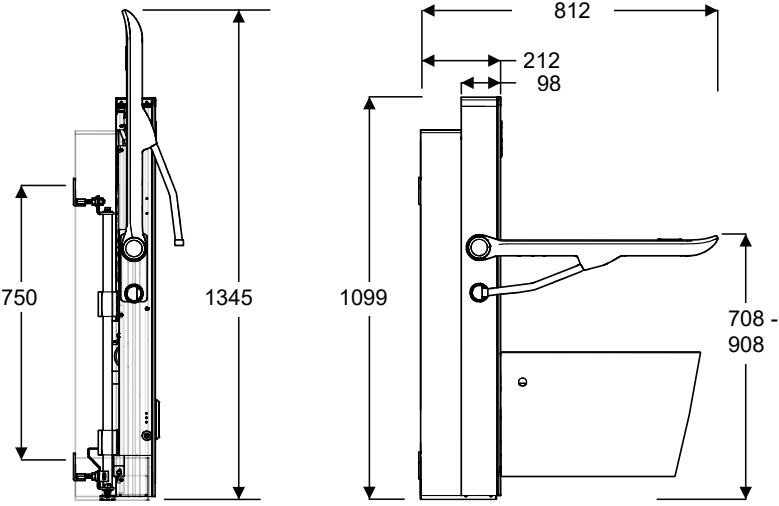
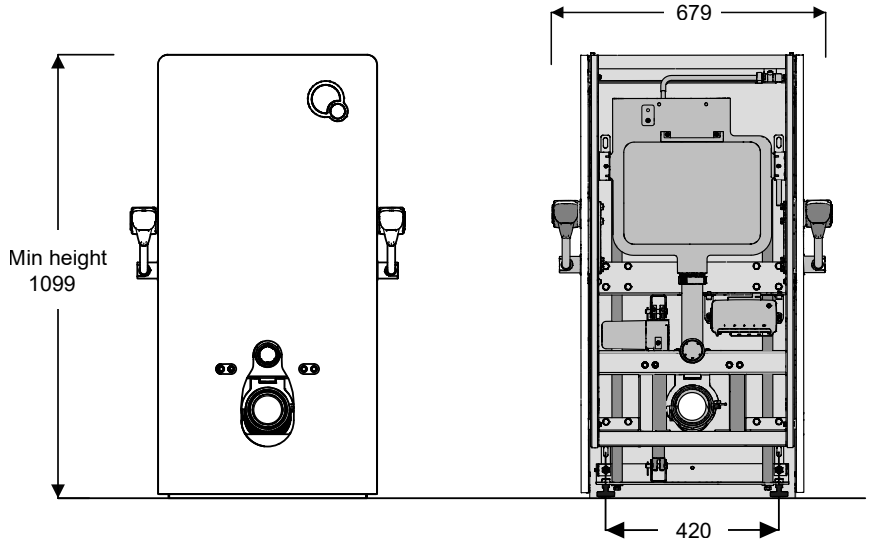
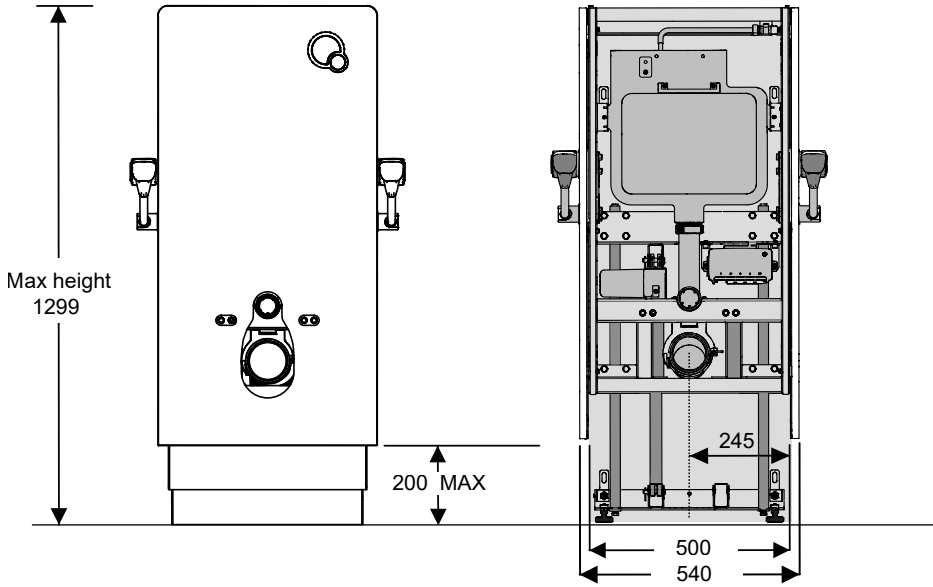
NOTICE: The toilet and the toilet seat are not part of the appliance, they should be purchased separately. Also suitable with the AKW Bidet seat.



Item list	Names	Specification	Quantity	Item List	Names	Specifications	Quantity
	Soil pipe gasket	Ø110	1		Bolt	M12*180	2
	Straight waste pipe		1		Wall Fixings	10*50	4
	Flush pipe seal		1		Wall fixings screw	ST6.8*67	4
	Clear full flushing air hose	white	1		Washer	Ø8.5*2.0	4
	Blue half flushing air hose		1		Fixing nut	M4	2
	Rubber protective cover		1		Countersunk head screw	M4*8	2
	Flush pipe		1		Extention Screw	M4	4
	Flush pipe gasket	Ø60	1		G1/2 Flexible Hose	1.2 m	2

Specification	Description
Model	L003P-000-W01
Product name	Rise and Fall Cistern Unit
Flush volume	6L(full flush) and reduced flush
Lift direction	Vertical lift
Rated voltage	AC 220-240V,50/60Hz
Max. power	200 W
Drive mode	DC motor lead screw
Duty cycle	10%, Max.2 min operate/Min.18min stop
Operation switch	Push-button switch
Adjustable lifting range	200 mm
Length of power cord	2.0 m
Max. load weight	200 kg
Max. load weight each arm rest	120 Kg
Waterproof rating	IPX4
Ambient temperature	4~40C
Drainage direction	Wall and floor drainage
Dimension	H:1099xW:543xD:212mm
Net weight	55.9 kg
Colour of glass panel	White

Dimensions



*Dimensions in mm

Important Safety Information



TO REDUCE THE RISK OF FIRE, ELECTRIC SHOCK, OR INJURY:

Installation of this appliance must be carried out in accordance with these instructions by a competent and experienced installer. The supplier is not liable for any loss arising from the failure to comply with the following instructions.

Before you start

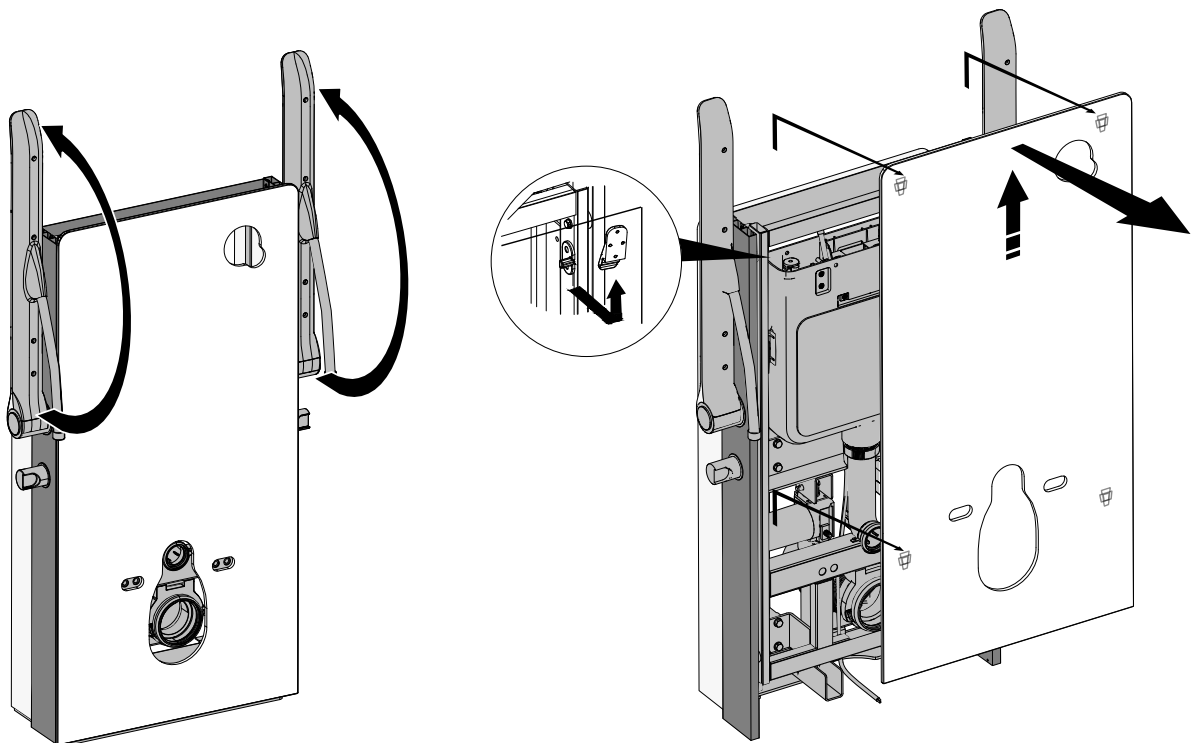
Remove all protective packaging and carefully remove the product. Notify the retailer immediately of any damage or faults. The manufacturer cannot be held responsible for any installation costs that may arise from damaged or faulty products being installed and not in accordance with these instructions. Dispose of all packaging in accordance with the local recycling authorities.

Safety

- Handle this product with care. This product is heavy and will require two people to carry.
- Have the correct tools available.
- When drilling into walls or floors, check first for hidden pipes and cables.
- Use safety eye wear when drilling.
- Keep small parts and packaging away from children.
- Isolate the electrical and water supplies before commencing installation. The electricity must be isolated at the consumer unit.
- This equipment is "Class 1" type electrical appliance, and must be Earthed. If the power supply cord is damaged, it must be replaced by the installer or similarly qualified persons in order to avoid a hazard.
- Do not install this appliance in areas of high humidity, high temperatures, or where it can be easily splashed, e.g. a steam room.
- Ensure that an extractor fan is installed to aid good ventilation when using the bathroom.
- The appliance must be permanently connected to a wired mains power supply and not plugged into a electrical socket or connected to a lighting circuit.
- The appliance must be permanently connected to the cold water supply with an isolating valve.
- Do not switch on the appliance if water is leaking from the casing. Isolate the electricity supply immediately and then isolate the water supply.
- This appliance can be used by children aged from 8 years and above and persons with reduced physical, sensory or mental capabilities or lack of experience and knowledge if they have been given supervision or instruction by a person responsible for their safety and shown how to use the appliance in a safe way and understand the hazards involved.
- Children must not play with the appliance. Cleaning and user maintenance must not be undertaken by children.
- For safety, people heavier than 200 kg must not use this appliance.

CAUTION

- This product is heavy, get someone to help move and install this product.
- Carefully remove the glass panel from the packaging and place it to one side.
- This product has sharp edges. Protect your hands, the cistern frame, and floor with the packaging during installation.
- Connect the cistern only to the cold water supply.
- Do not operate if the power cable is damaged.
- After the installation, check all water supply connections for leaks.
- Rubber washers should be in place for the water connection hoses and Tee Junction.
- Ensure that the user is familiar with the operation of the rise and fall mechanism and leave this manual with the owner.
- Do not stand with feet under the unit when in operation. Ensure that no objects are placed under the unit that could get trapped when lowered.
- When this appliance has reached the end of its serviceable life, it should be disposed of in a safe manner in accordance with current local authority recycling or waste disposal policy.



Note: support arms move independently.

Carefully remove the glass panel and put to one side until final installation steps.



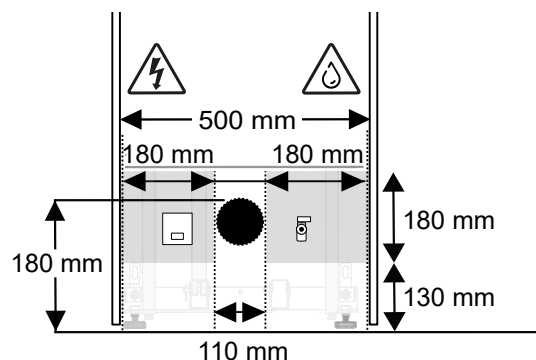
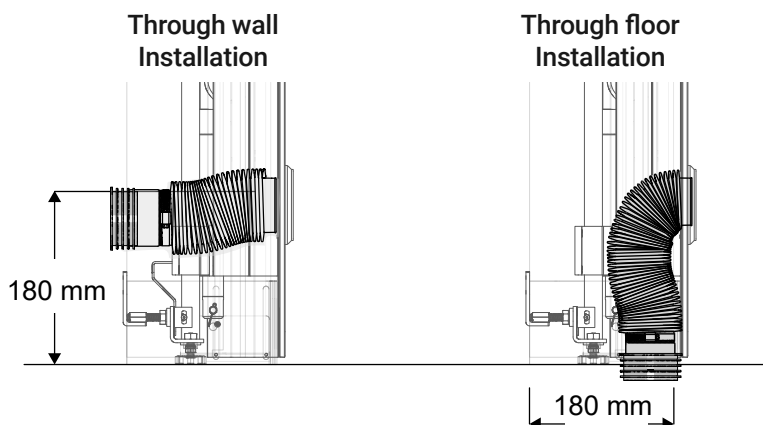
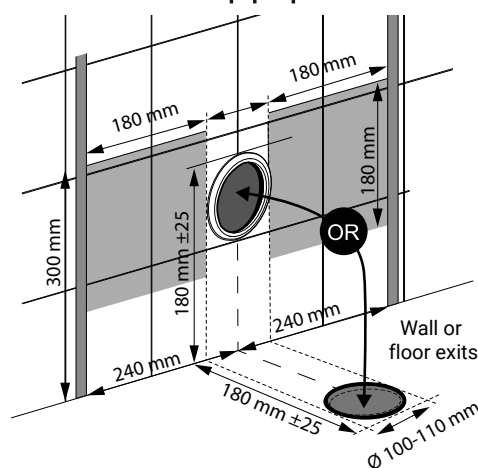
Important! Before installation, isolate the water and electrical supplies. Ensure that the installation complies with the latest wiring regulations, and is situated away from any wet areas such as a shower tray. Ensure that the floor and wall are clean, smooth, level, and free of anything that could cause damage during installation.

Determine the 'roughing in position', the soil pipe must be within 180 mm of the wall or floor depending on whether it is a through wall or through floor installation. See the diagrams below. Routing the waste outlet pipe through the side of the cistern unit is not suitable. The flexible waste outlet pipe is attached to the soil outlet pipe with the supplied gaskets and clamps. This allows the flexible pipe to move with the cistern unit when in operation.

Measure and install all the necessary pipework and electrical services prior to installing the rise and fall cistern unit on the wall.

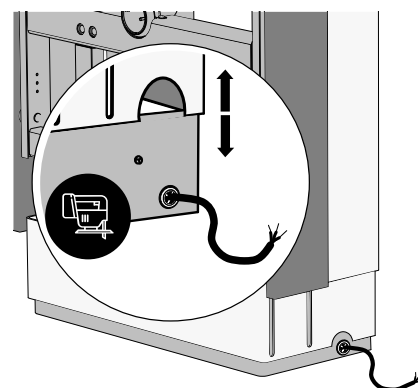
For new build installations, the power socket, isolation valve and outlet waste pipe should all be installed within the rise and fall covers but they must not interfere with the rise and fall operation. Ensure that the services are installed within 180 mm either side of the waste outlet pipe and 150 mm off the floor, as shown in grey areas.

Waste outlet pipe position



Modify entry points

Alternatively, for existing toilet installations, side entry may be the only access to the rise and fall unit. There may be no electrical supply on the intended wall surface and the isolated water supply cannot be moved so therefore modifications may be required to cut the external covers. This will allow for the long power cable to reach an alternative connection in accordance with the latest wiring regulations.



Installation - Preparation

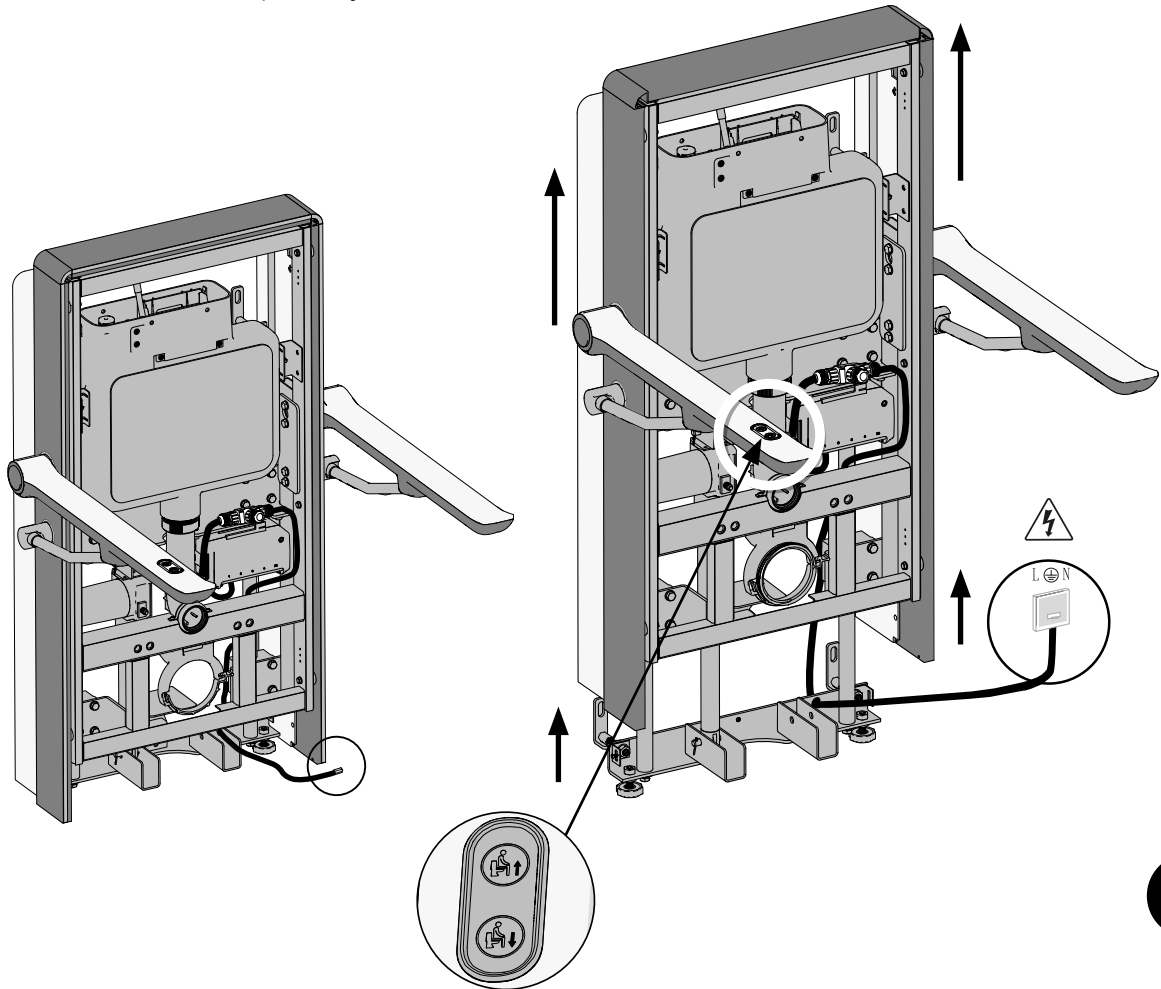
- 1 The rise and fall cistern frame will need to be in set at the highest position in order to access the waste outlet pipe, electrical and plumbing installation points. This can be done whilst on the floor in the packaging if there is no obstructions and it is safe to do so.



Caution: This product is heavy and will require two people for installation.



Temperately connect the power cable to an isolated mains connection and turn on the isolated switch. Note: power cable connection may not be possible in the same area, especially for new build installations.

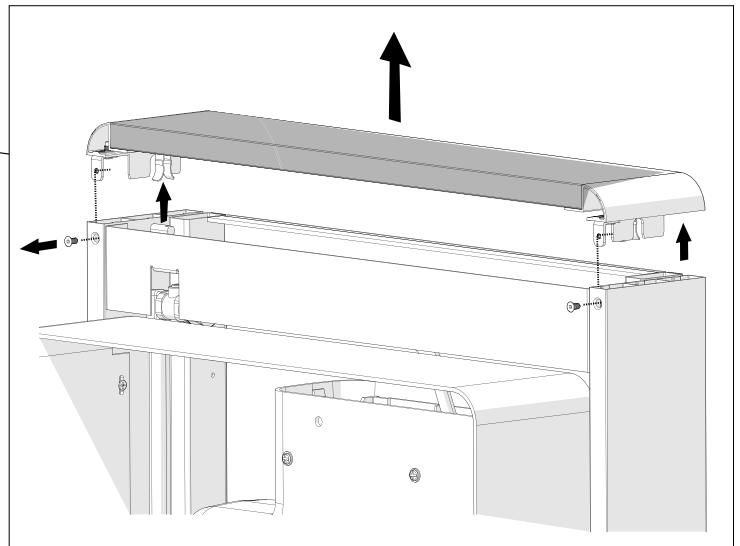
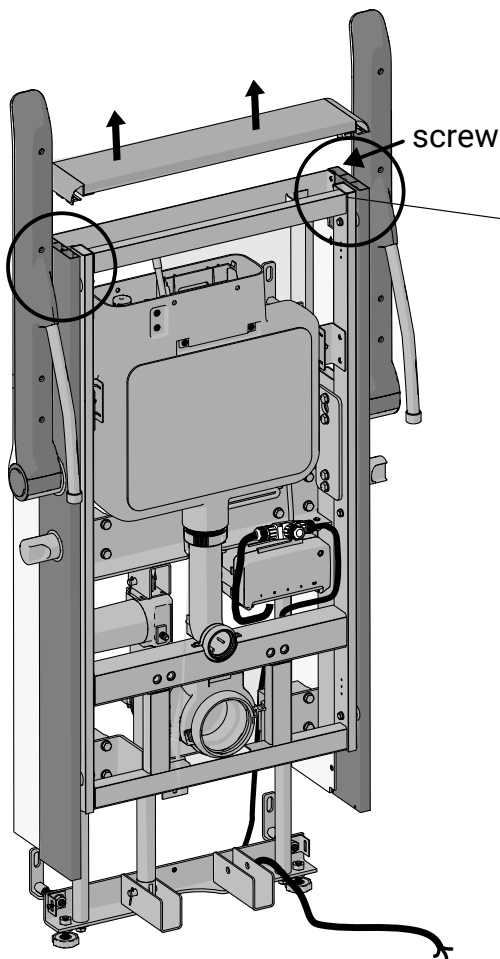


Press the button on the armrest to raise the frame to the maximum height.



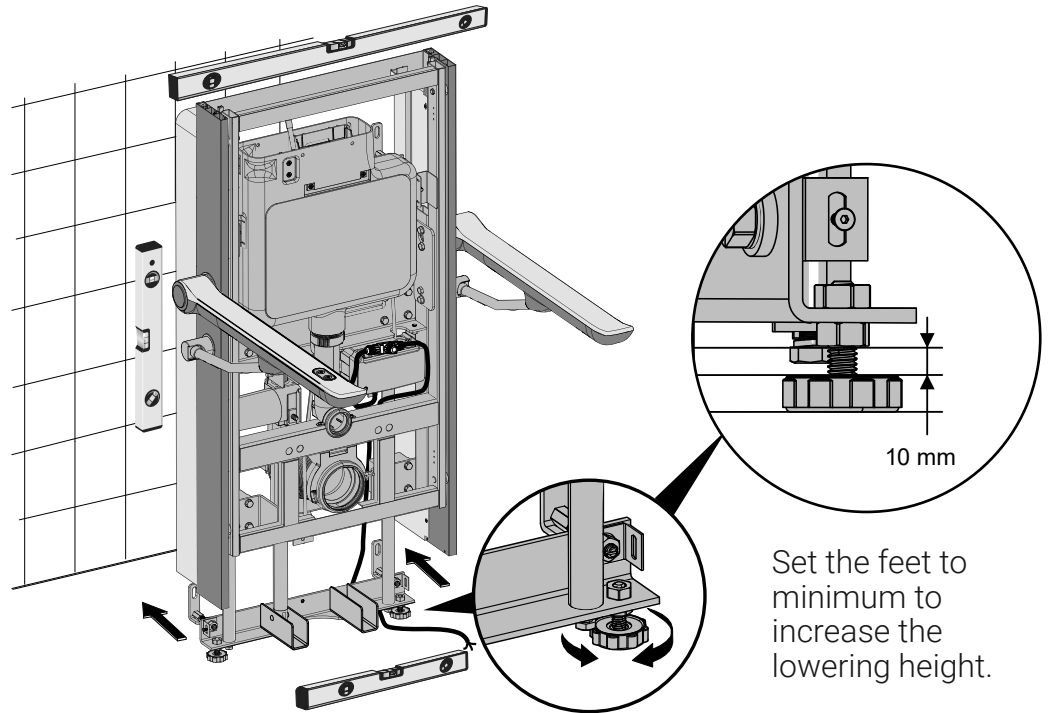
Disconnect the power cable and isolate the mains connection.

- 2 Remove the top panel in order to access the cistern and plumbing connections.



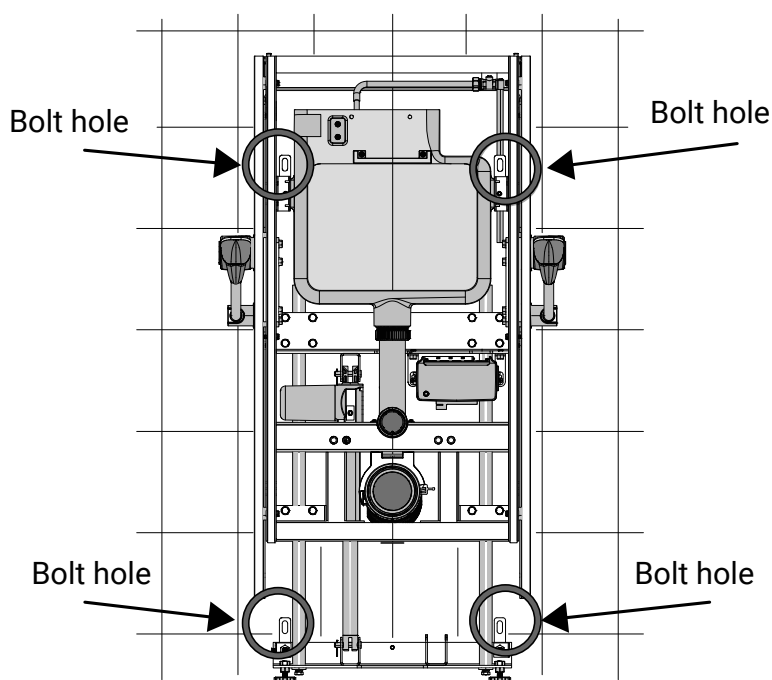
Remove the top panel by undoing the screws on the back of the unit, carefully lift and put to one side.

- 3 Manoeuvre the cistern unit into the desired position against the wall.



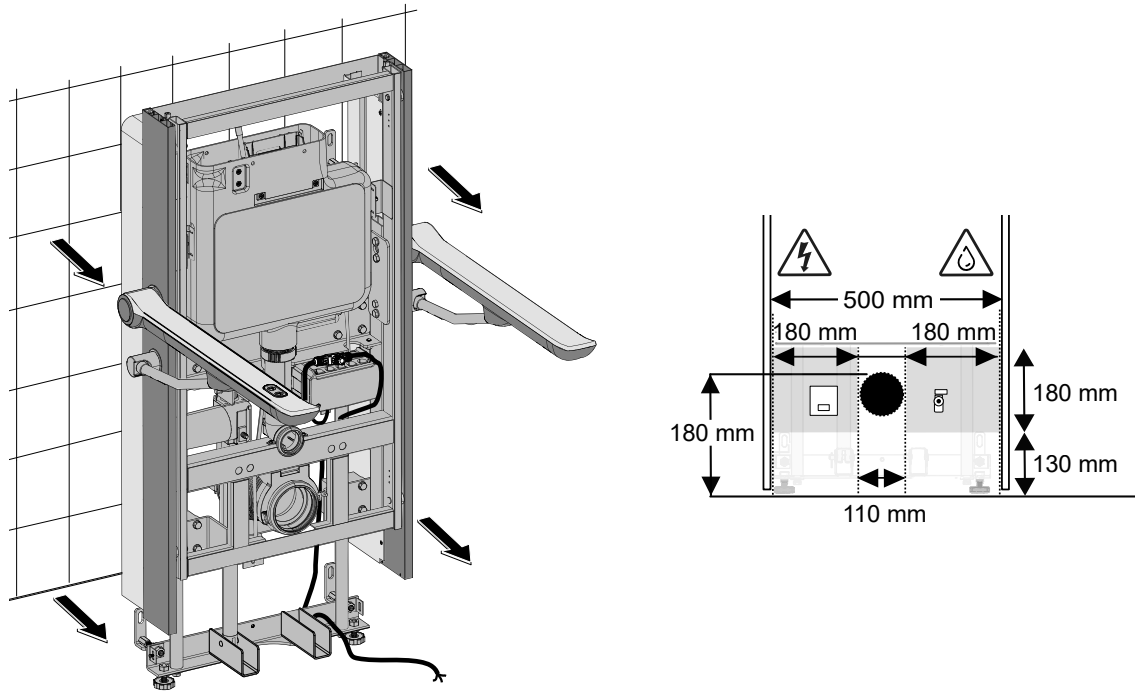
Set the feet to minimum to increase the lowering height.

Ensure that the frame is level. Rotate the feet for finer adjustment. Mark the four mounting positions on the wall by marking through the bolt hole positions.

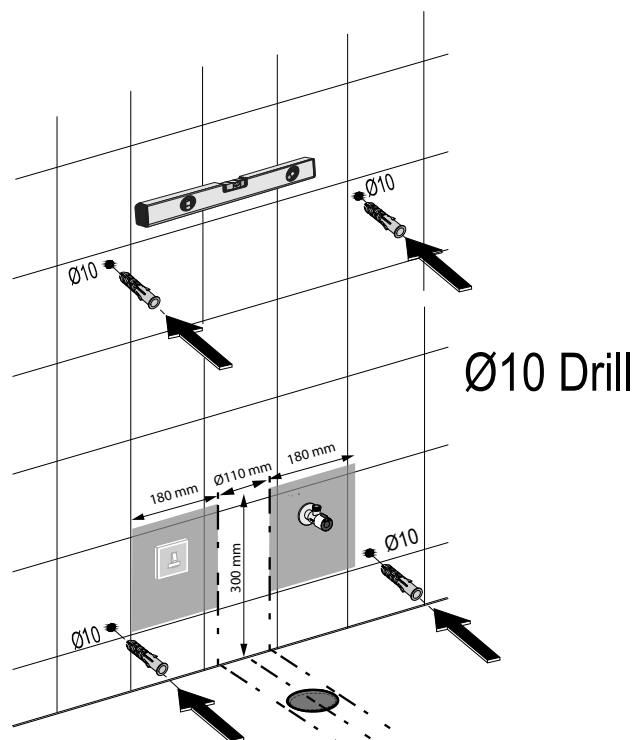


Installation - Fixing Points

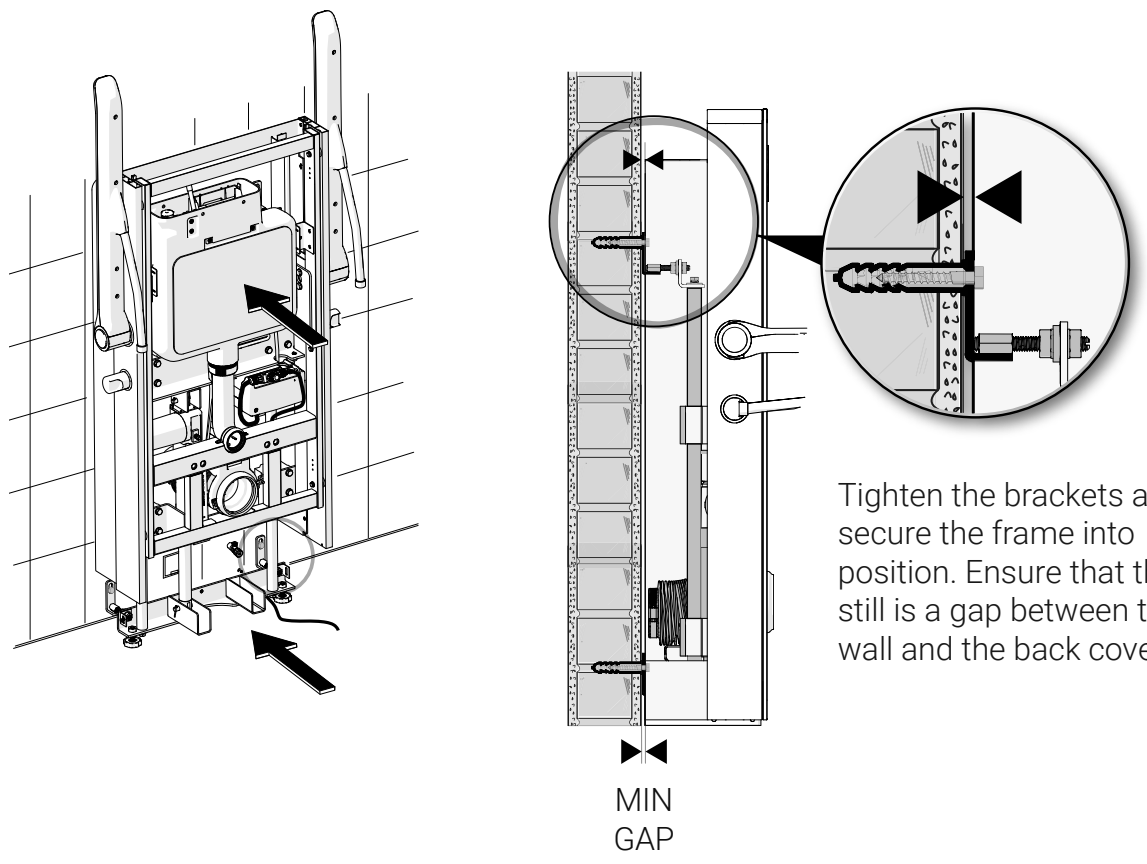
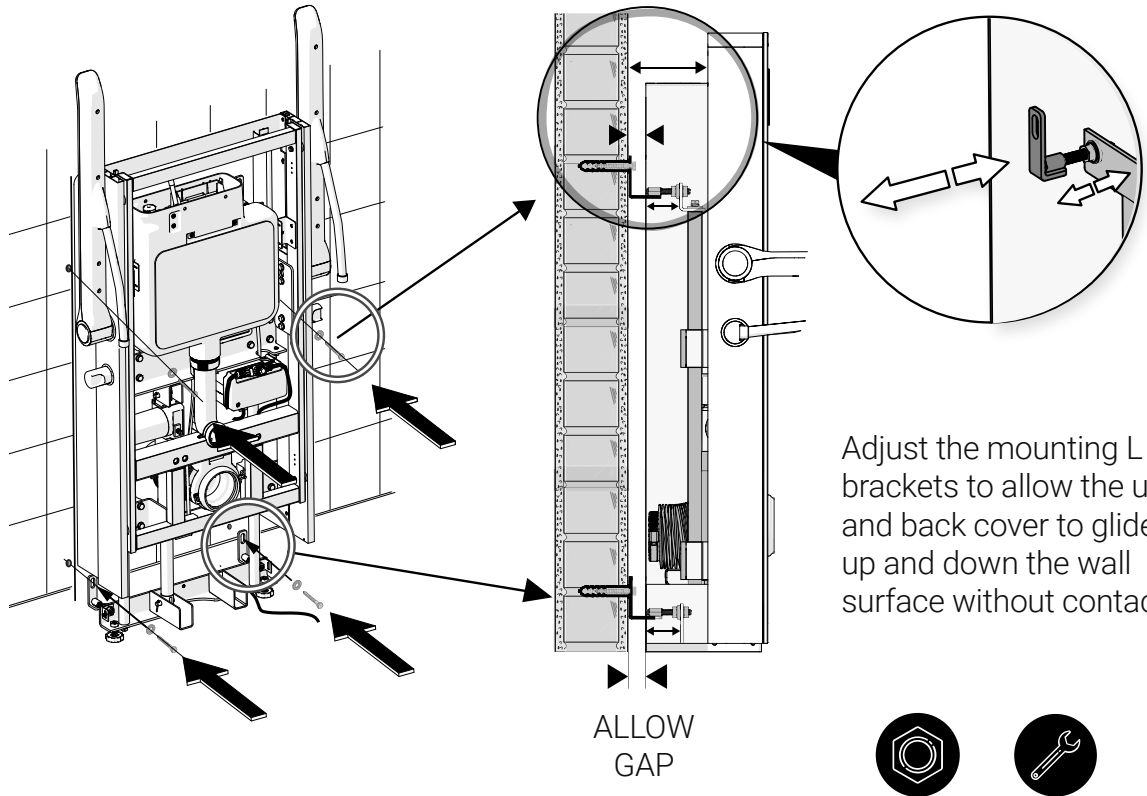
- 4 Remove the frame from the wall and carefully put to one side. Install the services either side of the waste outlet and within the grey areas on the wall as specified on the site positioning on page 10.



Double check for hidden cables and pipework in the wall before drilling. Drill the fixing points with a 10 mm drill bit and insert the wall plugs. Ensure that the fixings are solid into the supporting wall.

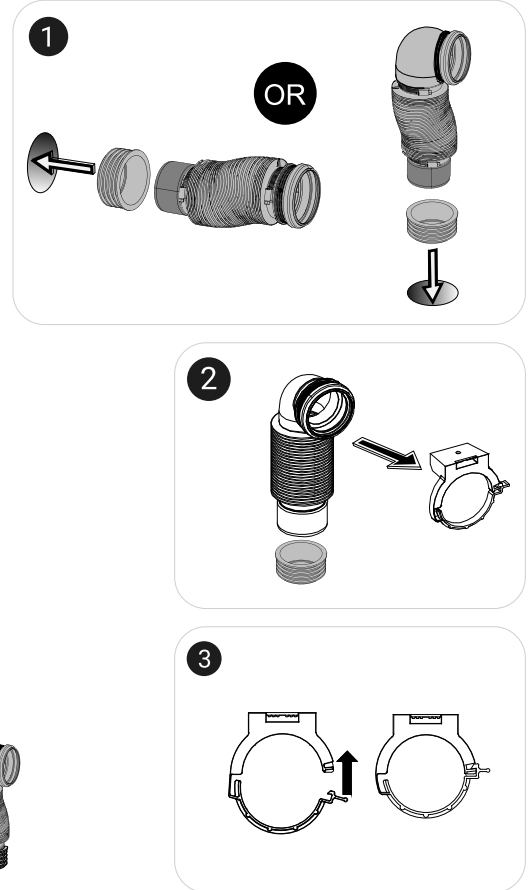
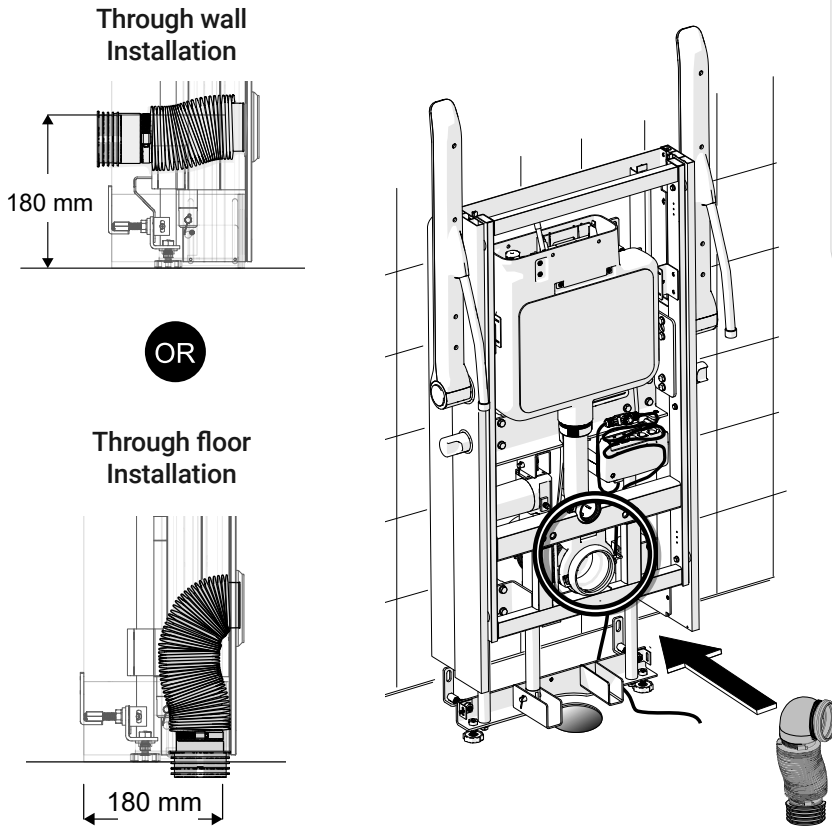


5

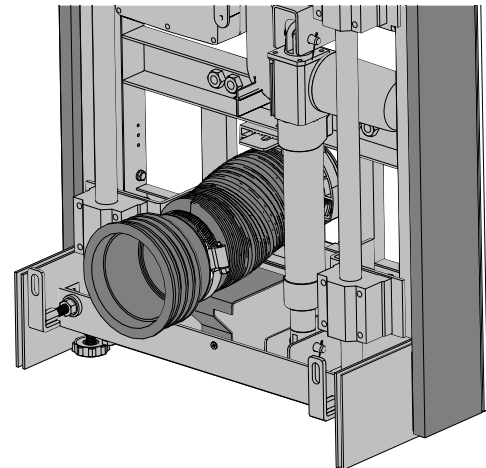
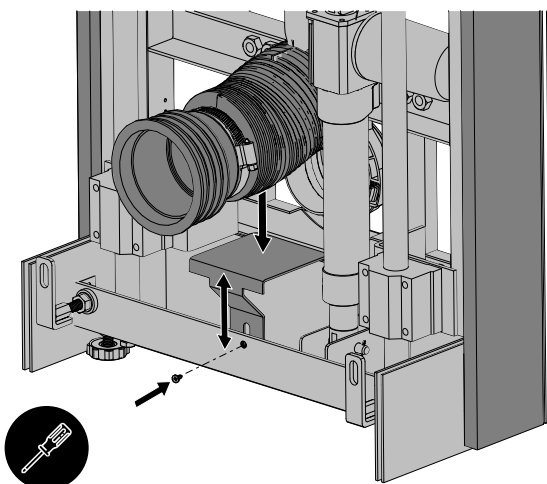


Installation - Waste Outlet

6 Attach the waste outlet pipe to the soil outlet



Carefully secure the waste outlet pipe into the bracket housing on the cistern frame and then into the soil outlet pipe with the gasket and clamps. Ensure that the connections are secure and test for leaks. Note: remove the support bracket for vertical installations but for the horizontal installations attach the support bracket as shown below.

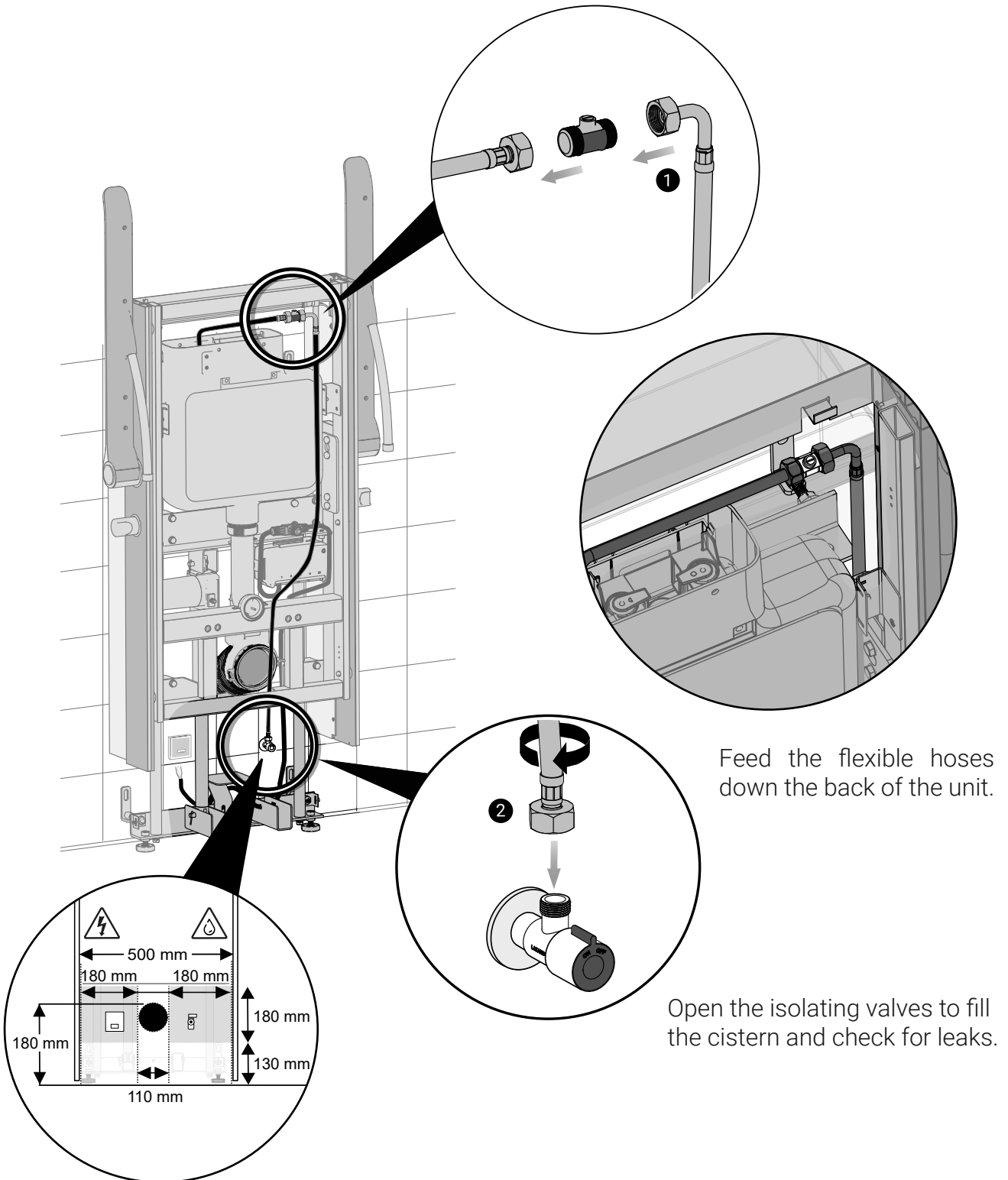


Use the adjustable support bracket for through wall waste outlets installations.

Option 1: Standard Wall Hung Toilet Plumbing Installation

7 Plumbing

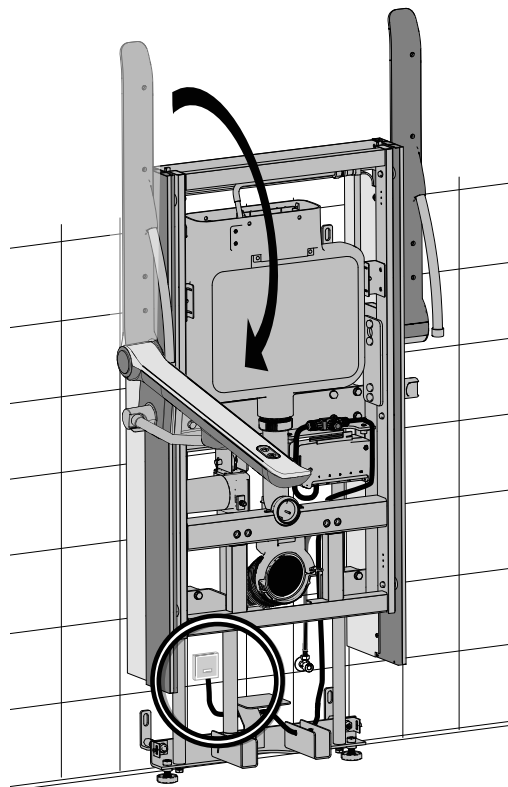
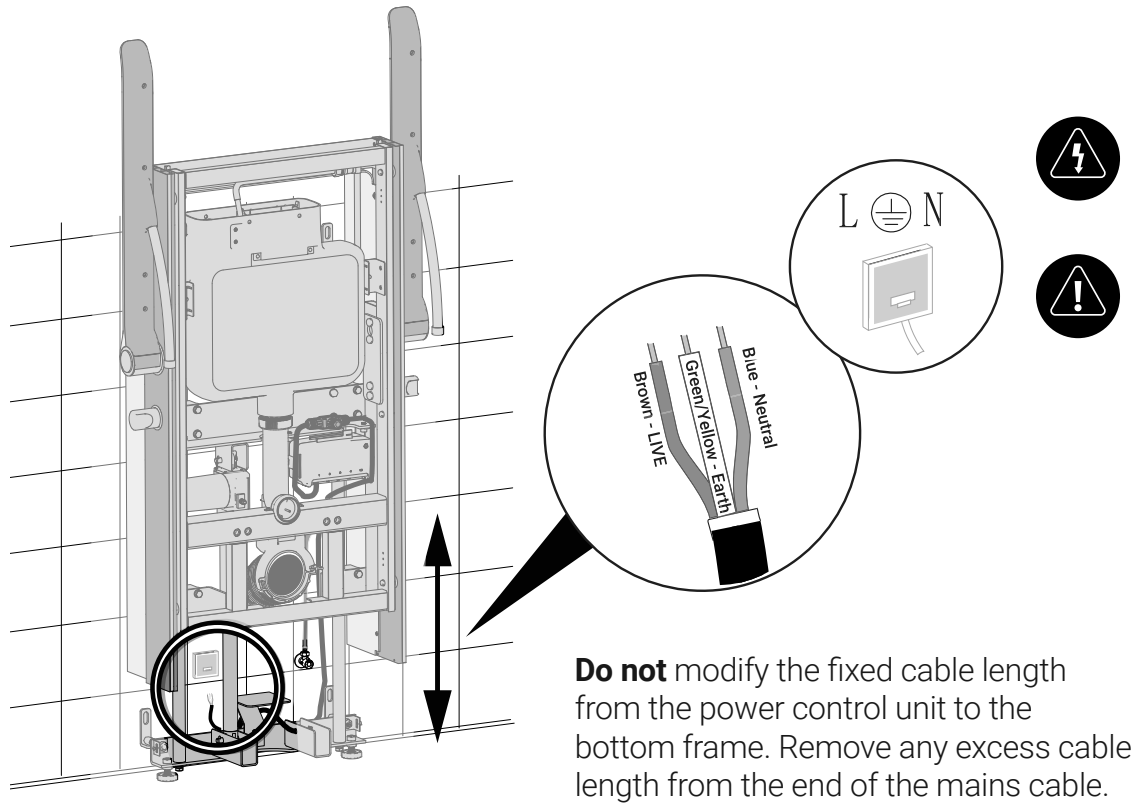
For standard toilet installations, attach the long flexible hose to the cistern isolating valve at the top of the unit. Feed the hose down the back of the unit and connect the other end of the hose to the isolating valve on the wall. Ensure that the water and power services are within the positions given on page 10, and that they do not interfere with the rise and fall operation.



Option 1: Standard Wall Hung Toilet Electrical Installation

8 Electrical

Connect the power cable to the mains power supply. Feed the cable around the back of the frame and ensure that the cable can not be trapped when in operation.



Turn the power on and test the rise and fall operation. Ensure that the cables and hoses cannot become trapped throughout the unit's range of travel. Use cable ties as required.

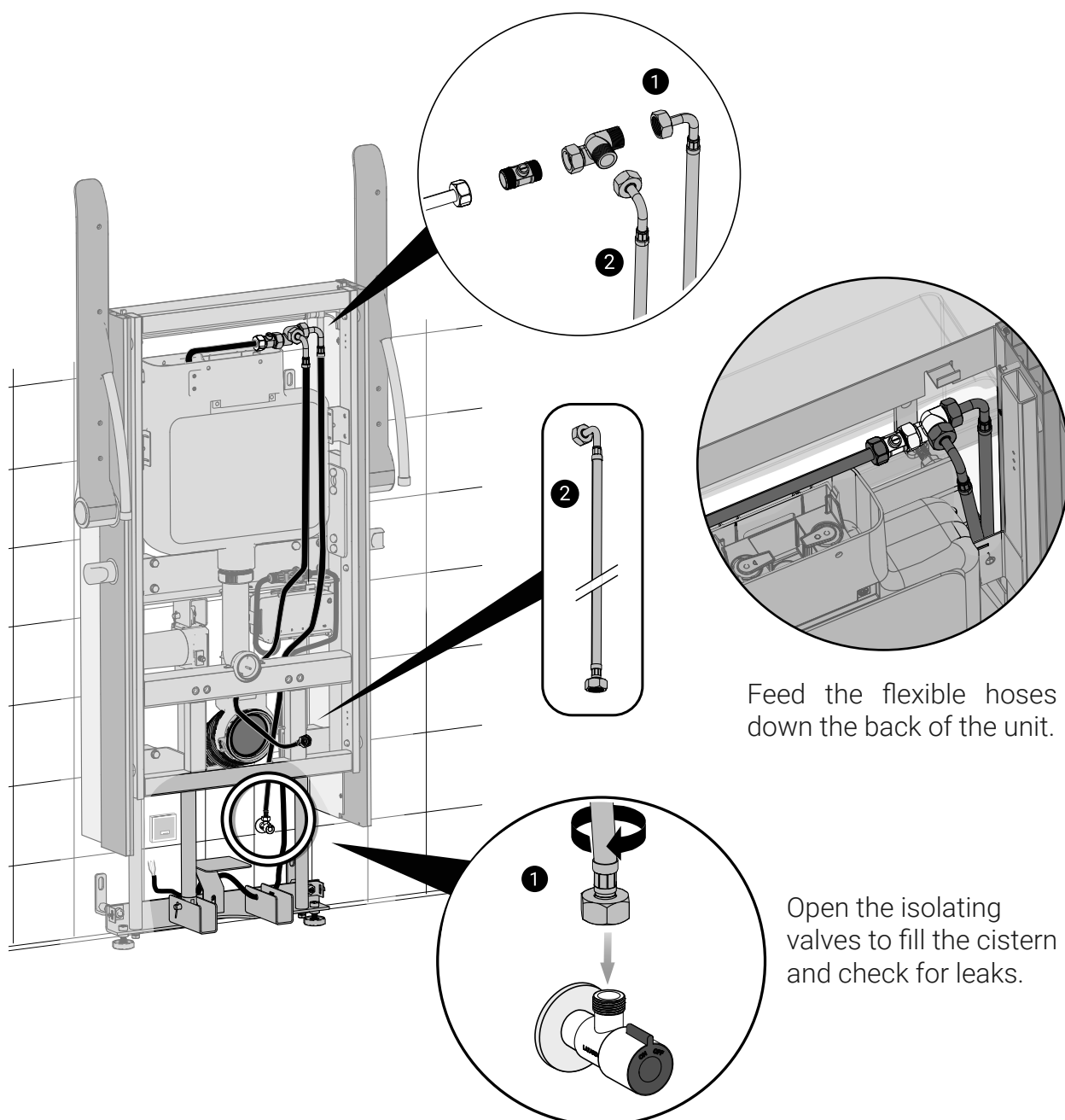


Continue to install the Exterior and Interior cover panels, page 21 step 11.

9 Plumbing

1. Attach the Tee Junction supplied with the AKW Bidet unit directly onto the isolation valve at the top of the cistern unit. Attach the cistern hose to the other end of the isolating valve. Attach the long 1.2 m flexible hose onto the other end of the Tee Junction. Feed the long hose down the back of the unit and connect the other end onto the isolating valve on the wall. Ensure that the water and power services are within the positions given on page 10, and that they do not interfere with the rise and fall operation.

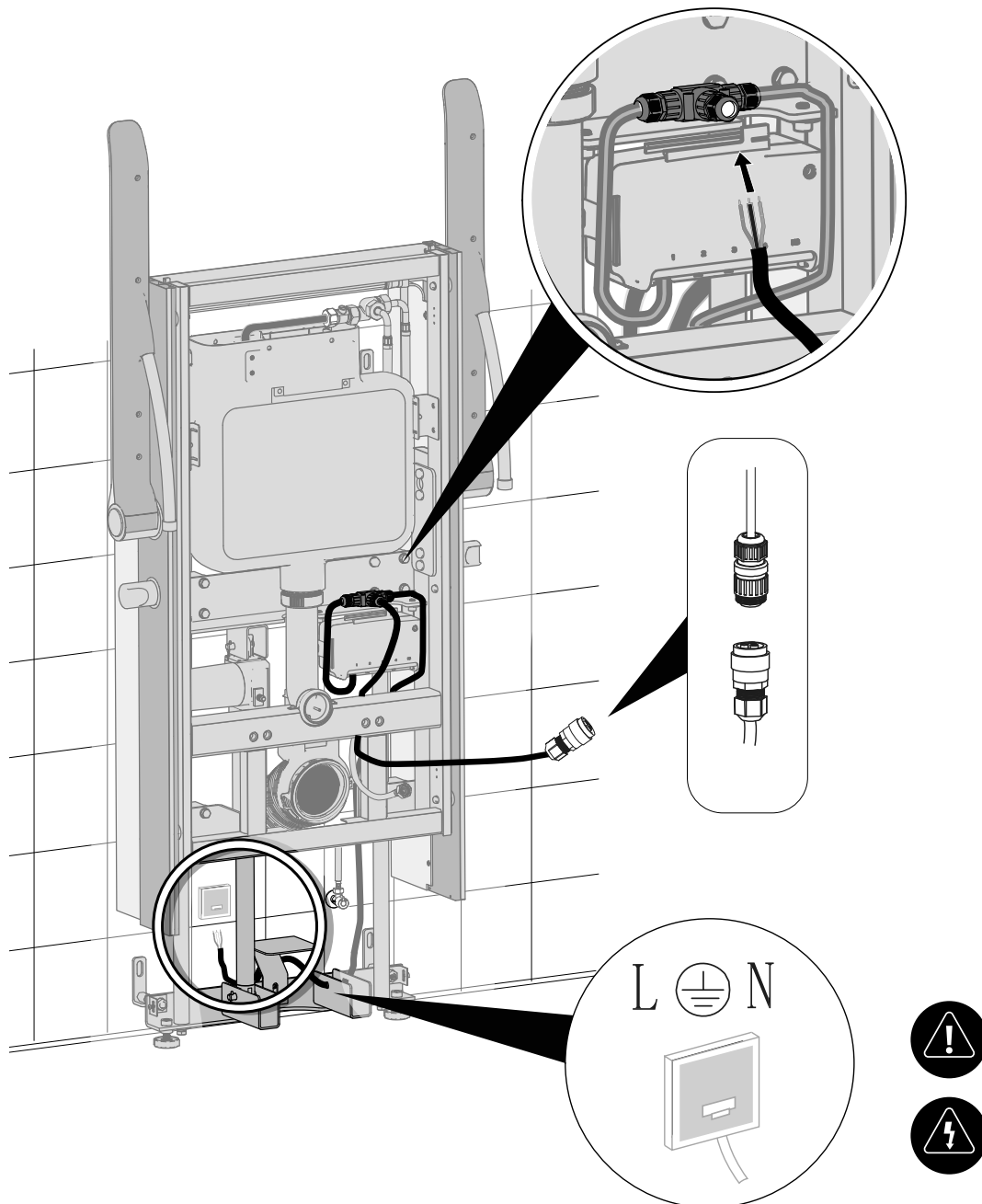
2. Attach the other 1.2 m flexible hose onto the Tee Junction and feed the hose down the back of the unit out through the front and out next to the waste outlet opening. Check that the cables and hoses cannot become trapped throughout the unit's range of travel. Use cable ties as required. Open the isolating valves to check for leaks and close the valve.



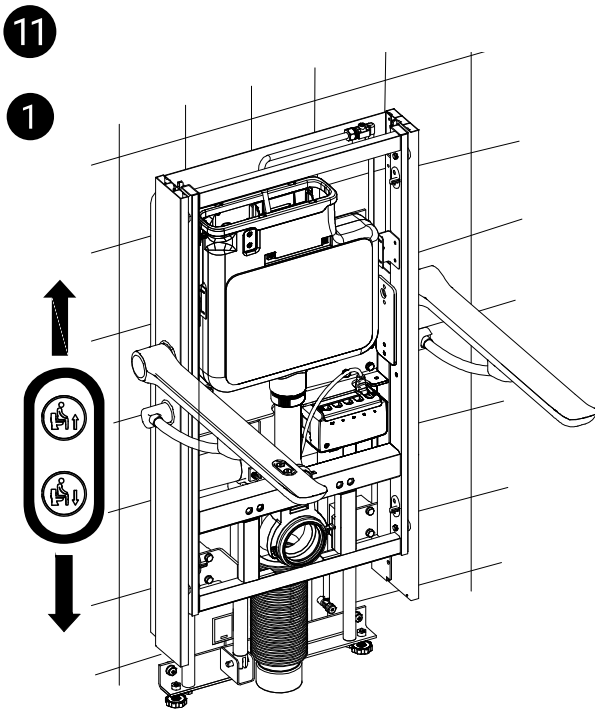
Option 2: AKW Bidet Electrical Installation

10 Electrical

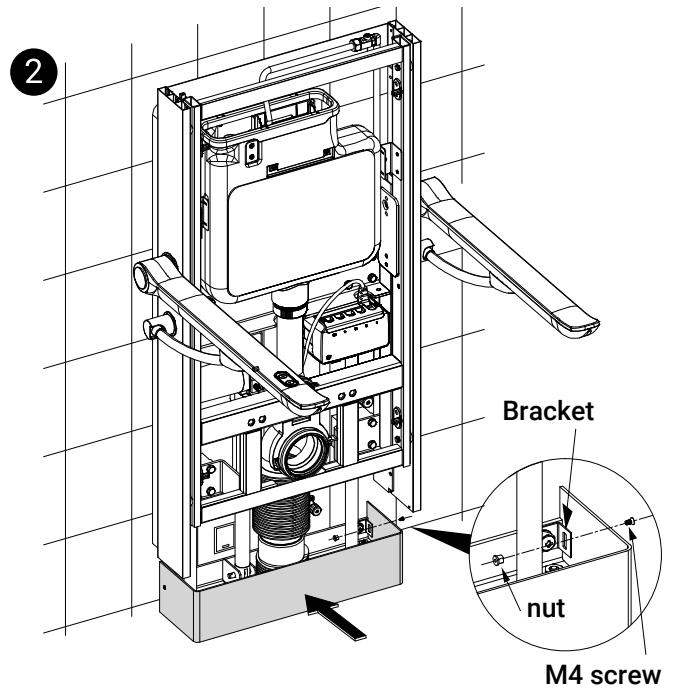
1. Connect a suitable length of cable to the centre Tee Junction port to reach the 3 pin connector supplied with the AKW Bidet unit. Feed the cable around the back of the frame and out through the front. Ensure the cable will not be trapped when in operation.
2. Connect the rise and fall power cable to the mains power supply. Turn the power on and test the rise and fall operation. Ensure that all cables and hoses cannot be trapped in operation. Isolate the power.



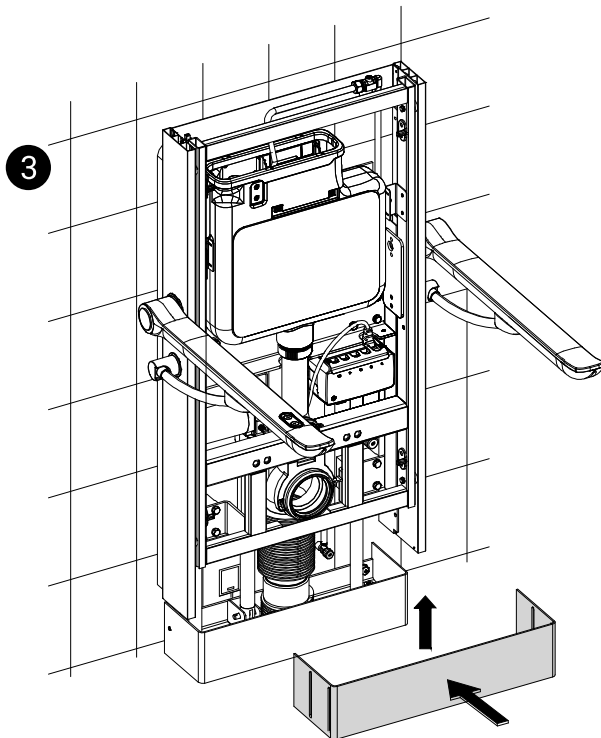
Do not modify the fixed cable length from the power control unit to the bottom frame. Remove any excess cable length from the other end of the mains cable depending where the fixed power supply is.



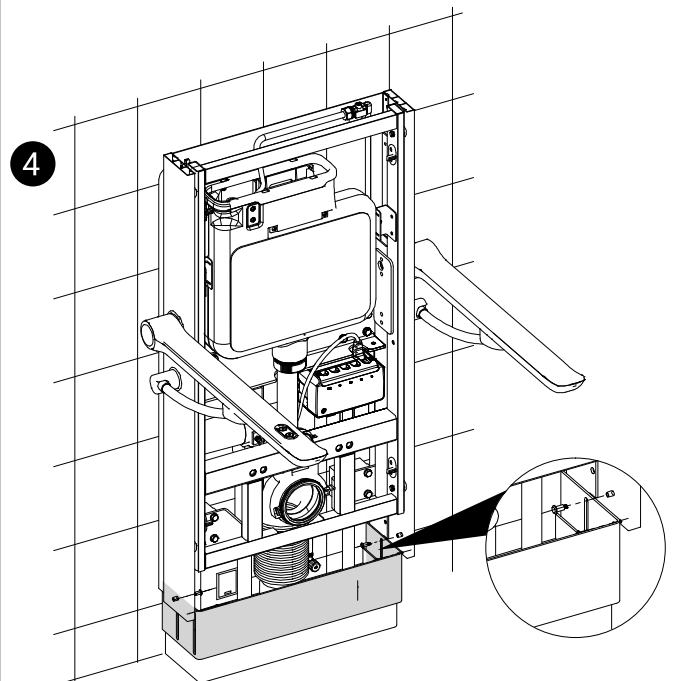
11
1
Raise the frame to access the mounting positions for the bottom covers.



2
Attach the inner cover panel to bottom frame brackets with the M4 screws and nuts.



3
Position the outer cover up over the inner cover and align the slot holes with the screw holes.

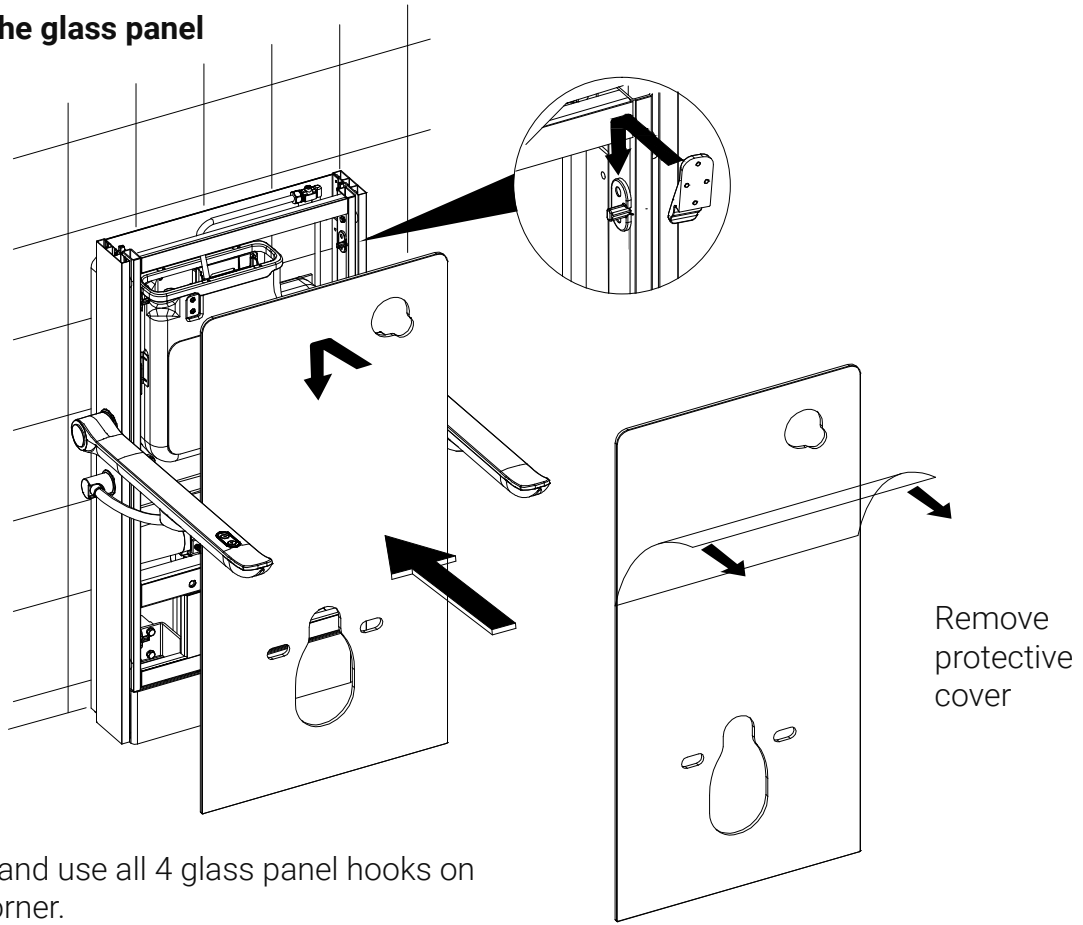


4
Attach the outer cover panel to top frame with the M4 screws and nuts.

Installation - Glass Panel & Push Button

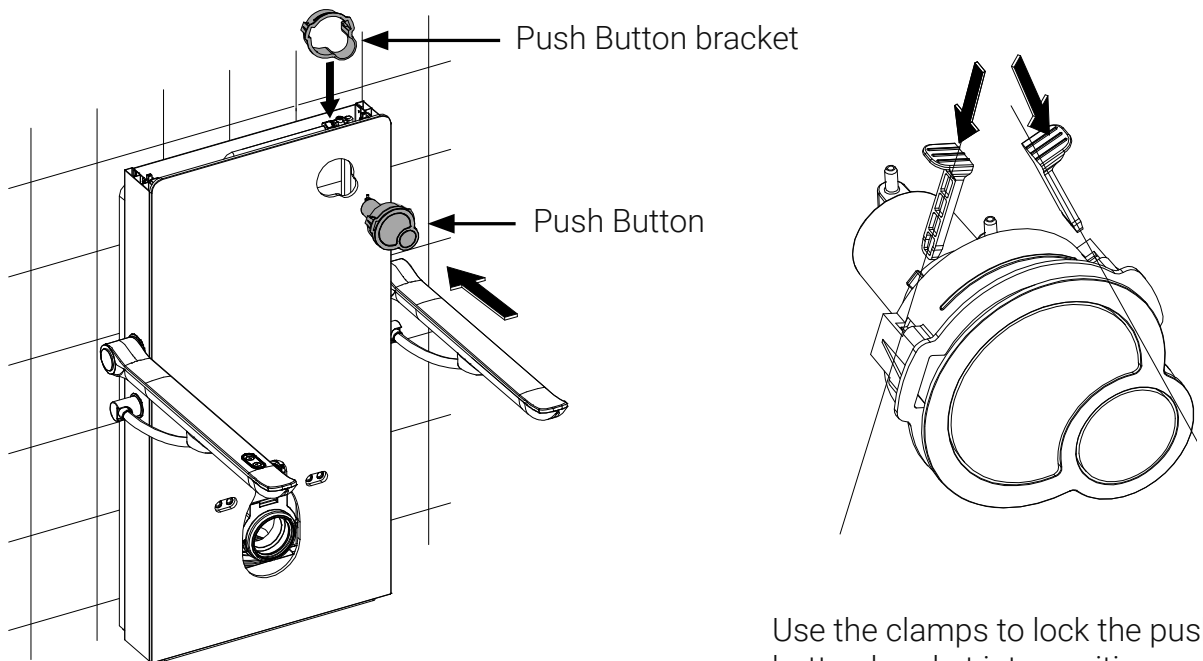
INSTALLATION - GLASS PANEL & PUSH BUTTON

12 Attach the glass panel



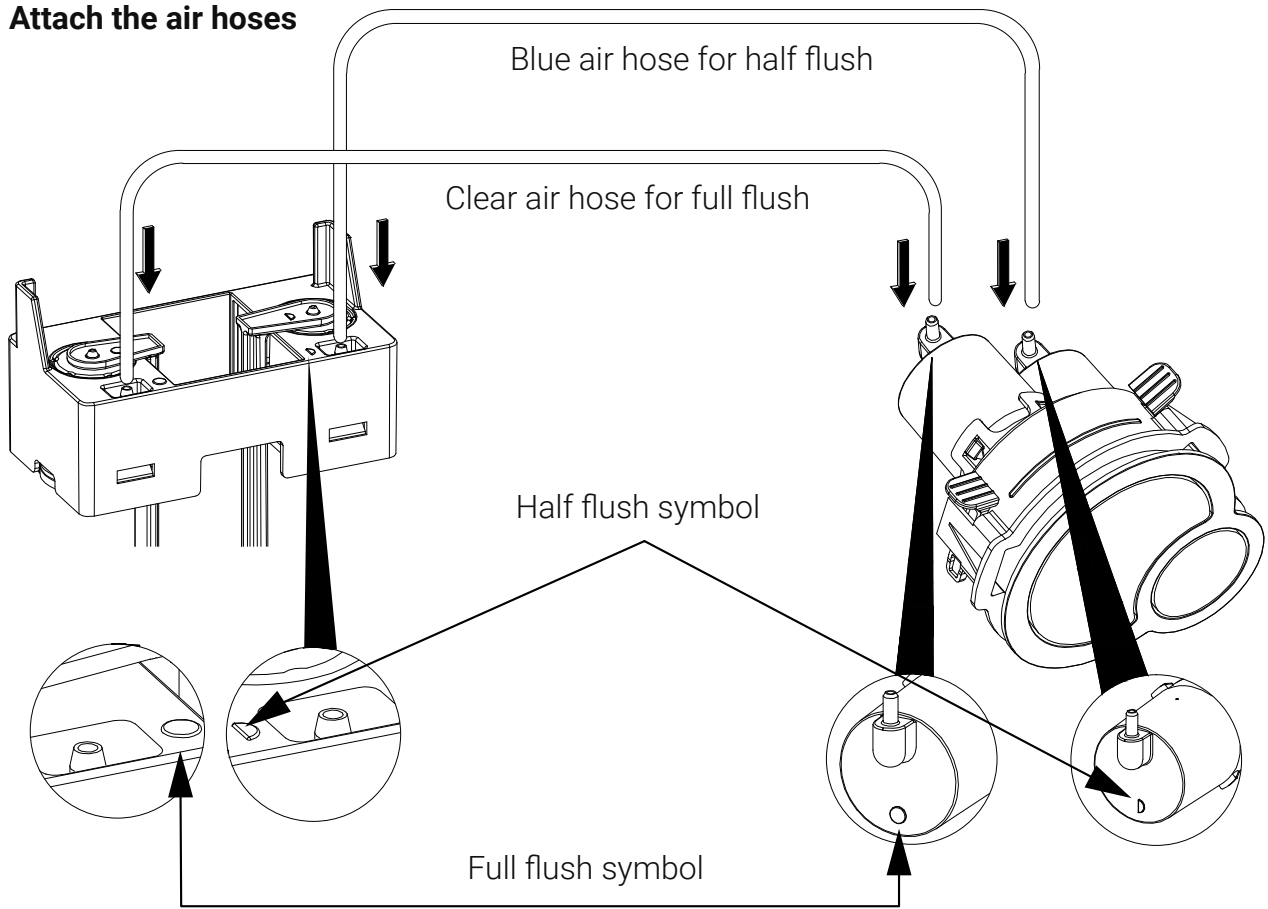
Locate and use all 4 glass panel hooks on each corner.

13 Attach the push button assembly

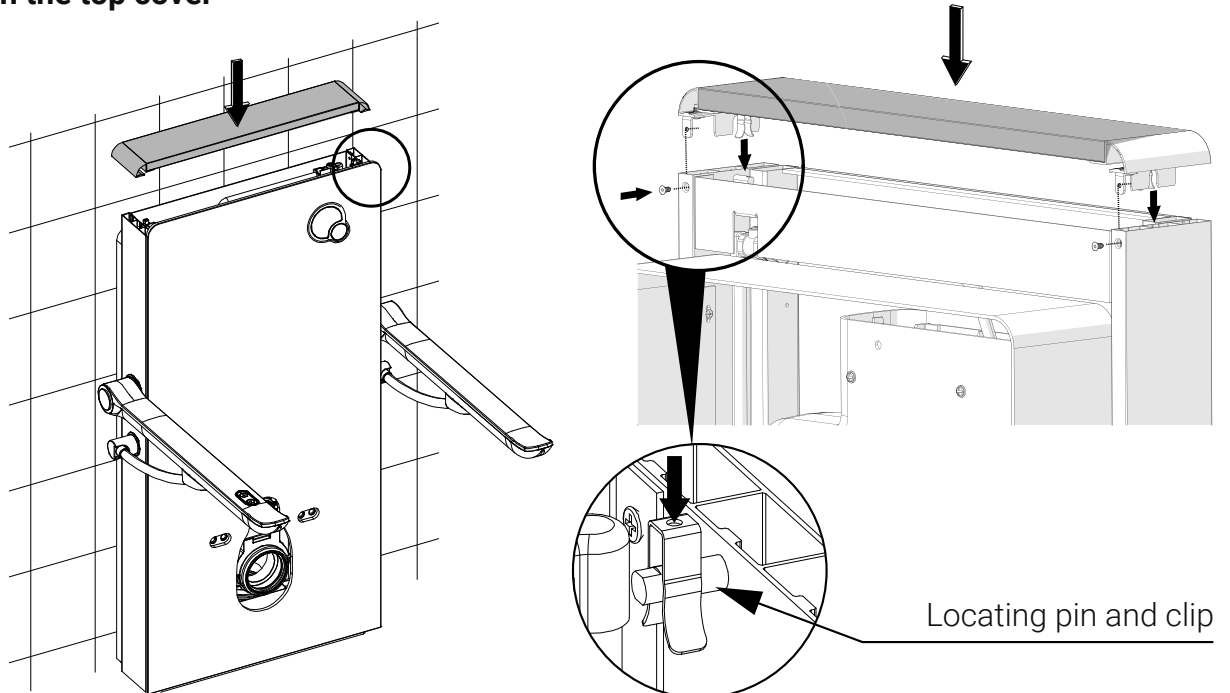


Use the clamps to lock the push button bracket into position.

14 Attach the air hoses

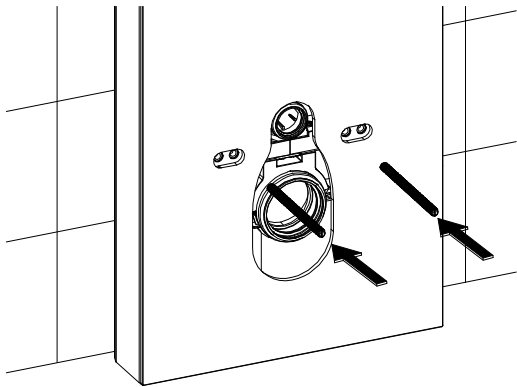


15 Attach the top cover

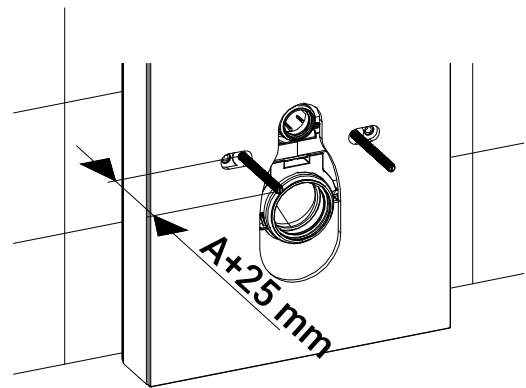


16 Attach toilet pan fixings and protective cover

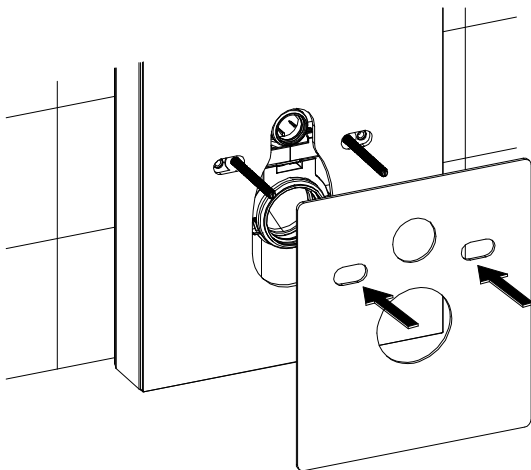
Refer to the **Navlin Wall Hung Toilet Pan Instructions (20-008-112)** for connecting the toilet pan onto the rise and fall cistern. Continue with the installation and test functions.



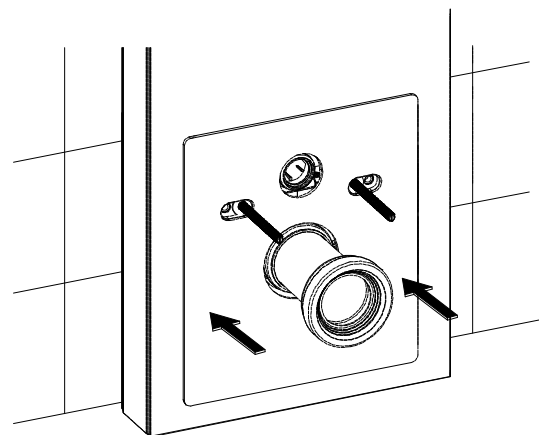
- 1 Install the threaded screws onto the cistern frame.



- 2 Allow 25mm extra for the pan fixings.

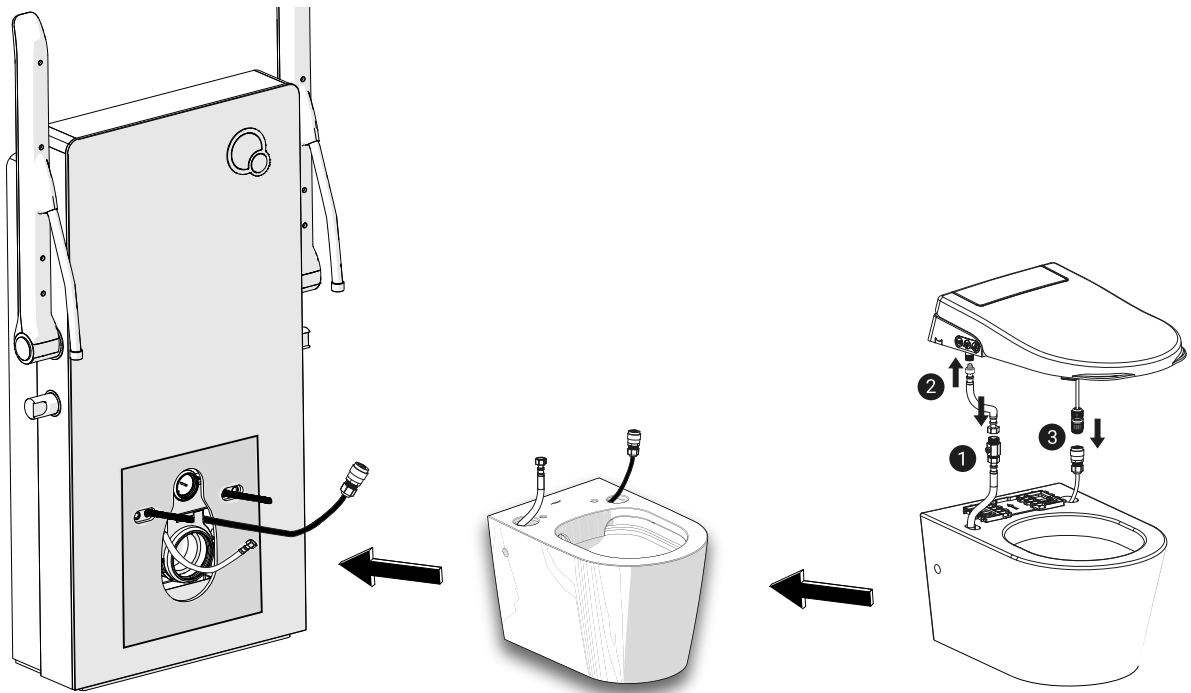


- 3 Install the rubber protective cover.

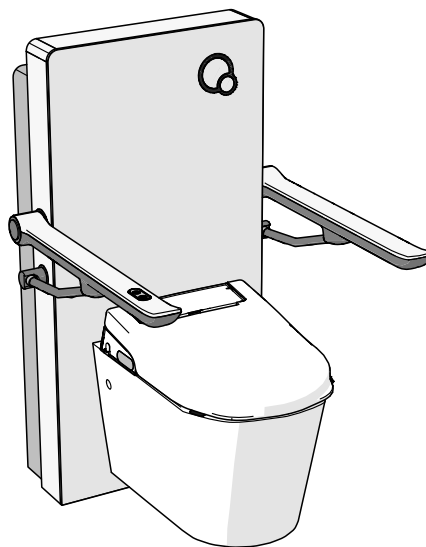


- 4 Install the waste pipe into the waste outlet hole and the cistern flush pipe on the pan. See separate wall hung toilet instructions for more detail.

- 17** For installing a toilet pan and Bidet, refer to the **Wall Hung Toilet Pan for AKW Bidet Instructions (20-008-153)** first for connecting the toilet pan to the cistern frame.



Then refer to the **AKW Bidet Instructions (18-009-018)** for connections and installation on how to feed the Bidet connections through the back of the pan up into the bottom entry AKW Bidet.



When the installation is complete test the rise and fall operation, and test the flush mechanism for leaks and volume checks.

Troubleshooting Guide

Problem	Potential Cause	Suggestive Action
Appliance is not working Isolate the power supply - Potential risk of shock	The power supply may not be turned on	Check that the power is on
	Power cord and controller are not well connected	Connect the Power cord and the controller
	Electric motor and the controller are not well connected	Check the connections on the control box
	The Rise and Fall buttons are not connected	Check the connections on the control box
Obvious abnormal sound occurs during lifting	The cabinet frame touches the isolating valve or the power socket on the wall	Please move the position of the cabinet or adjust the wall brackets to ensure that it does not interfere with the isolating valve and power socket
	The back cover of the cabinet interferes with the wall when in operation	Adjust the wall brackets to move the unit away from the wall
	The decorative cover at the bottom of the cabinet catches the other inner panel.	Clean or remove items causing them to catch together
	Glass panel touches item under the unit	Always ensure that there are no items present under the unit before operating

If any maintenance is required, it must be carried out by a competent installer.

Regularly cleaning is advised for long term cleanliness.

Rinse the unit and ceramic by lightly spraying water on the surfaces and then wipe down with a soft cloth. For routine cleaning, use hot soapy water or a mild detergent and a soft cloth to wash and rinse the toilet area. Never use abrasive cloths or any aggressive cleaning materials to clean surfaces. Do not use industrial cleaners that have abrasive or harsh chemical properties as this could affect the surface finish.

The unit should never directly come into contact with strong industrial acids or alkalis, organic solvents, caustic soda, lacquers or nail polishes, bleaches, or any dry powder cleaning agents. Do not use paint strippers or stain removers to remove any stubborn staining. If more thorough cleaning is needed, always test the cleaning products on a small area first.

These instructions are provided to advise the minimum standards of installation and recommends what the best practice for the installation is. Due to the very wide variability of possible installation conditions, AKW cannot provide all circumstances for the installation. AKW cannot accept any liability in connection with this information or its use. This information is provided on the condition that the person receiving it shall make their own tests to determine the suitability for the particular purpose. Failure to install this AKW product in accordance with supplied instructions or the making of unauthorised modifications will invalidate any warranty and may affect product safety. None of the foregoing affects your statutory rights.

Contact Us

AKW[®]
Life Made Better

Orders & Quotes

01905 823 299
orders@akw-ltd.co.uk

General Enquiries

01905 823 298
sales@akw-ltd.co.uk

Technical Enquiries

01905 560 219
tech@akw-ltd.co.uk

Kitchen Enquiries

01905 823 262
kitchens@akw-ltd.co.uk

Fax

01905 823 297

AKW

Pointon Way, Hampton Lovett
Droitwich Spa, WR9 0LR

www.akw-ltd.co.uk
orders.akw-ltd.co.uk

Follow us on Social:



Warranty

Warranty applies only to manufacturing or material defects, conditional on the one-time correct installation of the product. It does not apply to:

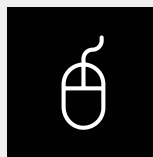
- Inappropriate use or accidental damage.
- Damage or defects that result from incorrect installation.
- Lack of maintenance including the build up of grime or damage resulting from inappropriate cleaning.
- Damage or defects that result from repairs or modifications undertaken by unauthorised persons.
- General wear and tear through usage and does not apply to surface finishes.

Warranty period starts from the date of installation. To activate your warranty, you must register your product within 30 days of installation. See the T&Cs on our website for further information.

Select 1 of 3 ways to activate your warranty

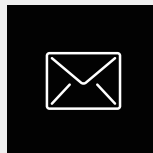


1. Scan using your Smart Device



2. Visit Online

akw-ltd.co.uk/warranty-information



3. Warranty Card

Fill and complete warranty card and post using the prepaid envelope supplied

What to do if something goes wrong?

In the event that you encounter a problem with this product, follow the trouble shooting guide if applicable, then contact your local installer. If the issue is still unresolved, contact AKW Technical Enquiries who will provide further advice and arrange for a maintenance engineer to visit if necessary. None of the foregoing affects your statutory rights.