

Product Overview

If achieving a contemporary aesthetic is a key goal when designing your Doc M washroom, then this pack provides all the products you will need. It features a low-level WC with lever flush, finger rinse wash basin with Monobloc mixer tap, and a selection of grab rails able to support up to 30st (200kg).

Pack Specification

- + Navlin Doc M raised-height, back-to-wall rimless toilet pan
- + Water-saving, low-level cistern with lever flush, screw-down lid and flush pipe
- + White ergonomic toilet seat with soft-close hinges and seat lugs, without lid
- + Grey padded back rest
- + Navlin Doc M finger rinse 400mm wash basin with two tap holes
- + Monobloc spray mixer tap
- + 600mm straight grab rails with a polished stainless-steel finish x 4
- + 450mm straight grab rail with a polished stainless-steel finish
- + Stainless-steel fold-up rail with adjustable leg and optional toilet roll holder



NOTE: Image depicts Close-Coupled Contemporary WC Pack, this pack features a Low-Level WC, comprising of a raised-height toilet pan, ergonomic seat without lid, low-level cistern with flush pipe and back rest.

Guarantees & Approvals

- + WC conforms to BS EN 997 and current UK Water Supply (Water Fittings) Regulations
- + Wash basin conforms to BS EN 14688
- + AKW are self-certifying and supplying approved flush fittings in line with current UK water regulations for compliance purposes
- + WRAS approved cistern fittings



Sanitaryware (ceramic), toilet seats, brassware & grab rails



Flush fittings & fold-up rails



Cistern fittings & brassware



Features & Benefits

- + **Rimless toilet pan** offers improved hygiene levels by reducing the build-up of bacteria and making cleaning easier
- + **480mm raised-height, back-to-wall toilet pan** (height with seat affixed) complies with Doc M guidelines and aids with side transfer
- + **Ergonomic toilet seat (without lid)** is shaped for comfort and easy cleaning, comes with seat lugs for stability when side transferring, and soft-close hinges for safety
- + Designed for use with the **low-level cistern** with lever handle, flush pipe and **padded back rest** which offers user comfort
- + Low-level **lever flush** cistern can be easily operated by hand, closed fist, or elbow - ideal for those with limited dexterity - with a **screw-down lid** for added security and safety in public facilities
- + **3/6 litre flush options** increase performance and water efficiency
- + **Two tap hole finger rinse wash basin** for flexibility when installing – blanking plug supplied
- + **Monobloc spray mixer tap** with stylish lever handle design
- + **Stainless-steel grab rails** benefit from a durable coating and support loads of up to 23.5st (150kg)
- + **Fold-up rail** supports loads of up to 30st (200kg), features an **adjustable leg** and optional toilet roll holder, stainless-steel finish and is treated with a rust inhibitor for longevity
- + **Components individually packaged** in recyclable materials to prevent damage during transit

Product Codes

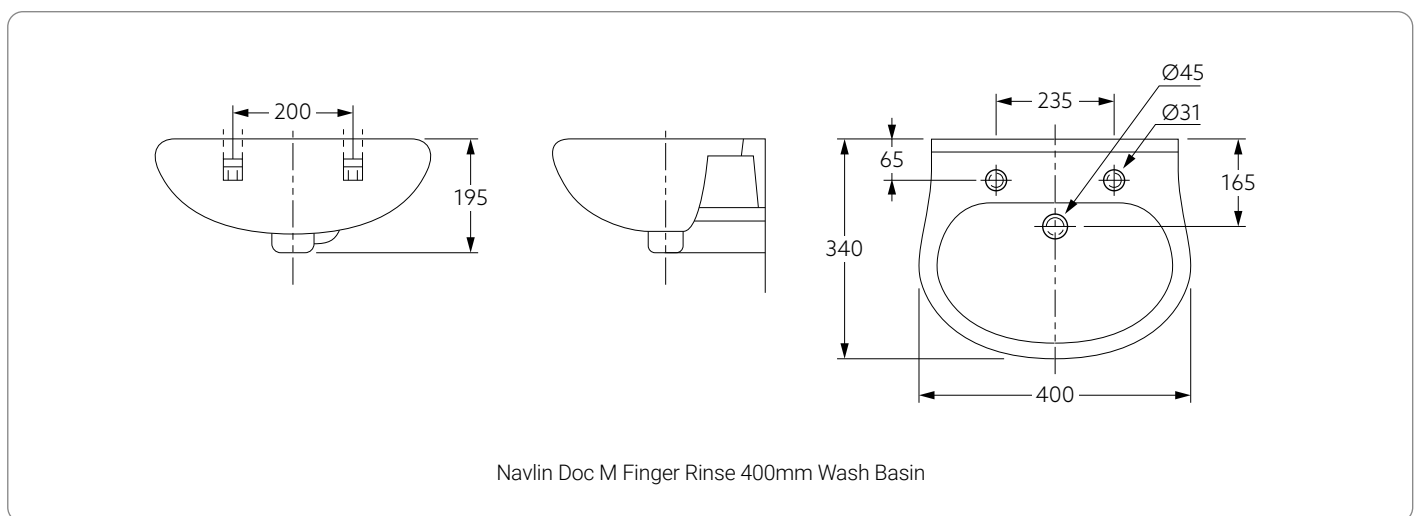
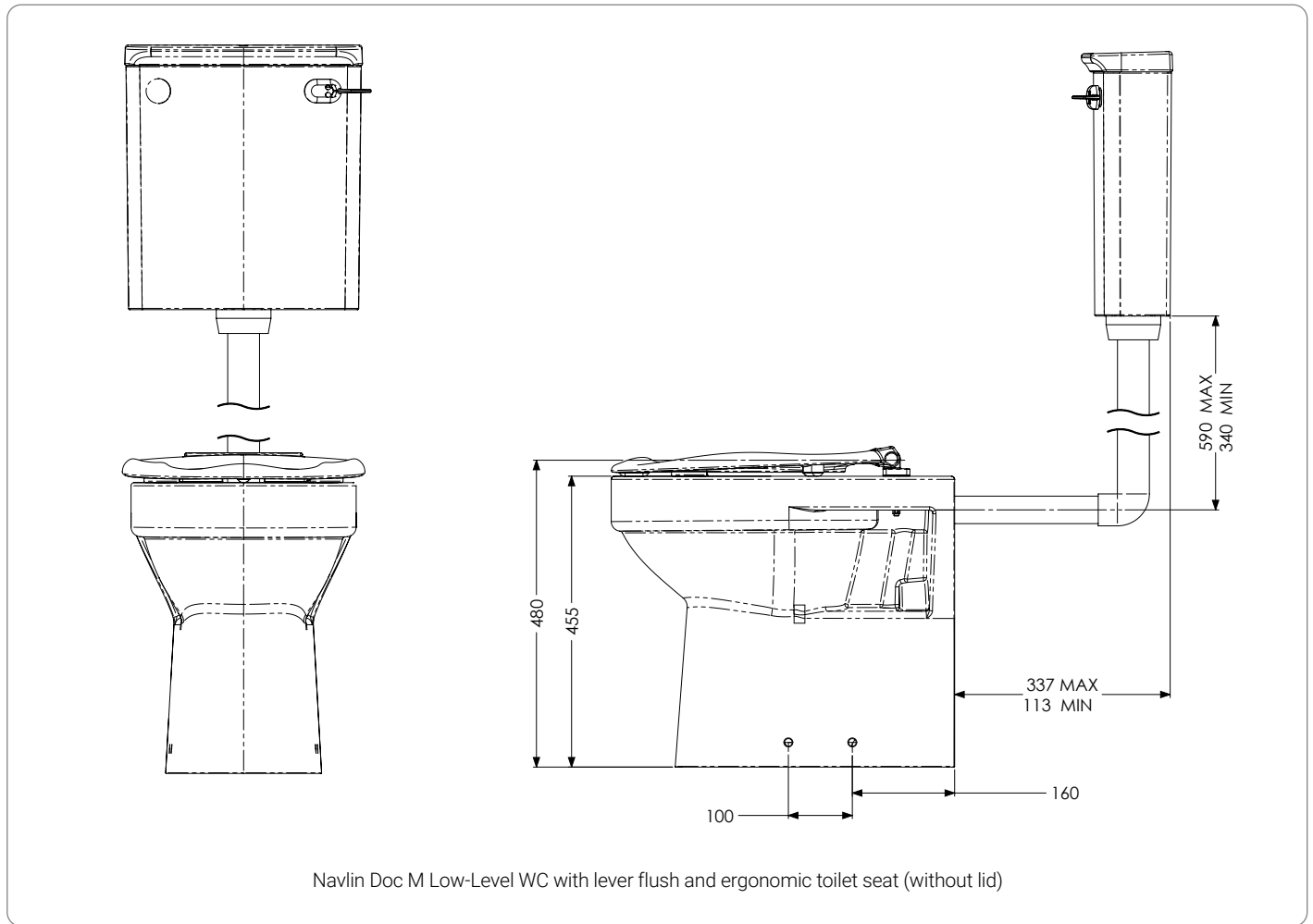
Pack 8 Low-Level Contemporary Doc M Pack – Stainless Steel

28316SS

Related Products

Pack 1	Fully Compliant Close-Coupled Doc M Pack – Fluted Blue	28310FBU
Pack 2	Fully Compliant Low-Level Doc M Pack – Fluted Blue	28311FBU
Pack 3	Close-Coupled Std Doc M Pack	
	Fluted Blue	28312FBU
	Fluted White	28312FWH
	Fluted Dark Blue	28312FDB
	Fluted Mid-Grey	28312FMG
	Stainless White	28312SWH
	Stainless Dark Blue	28312SDB
	Stainless Mid-Grey	28312SMG
Pack 4	Low-Level Std Doc M Pack	
	Fluted Blue	28313FBU
	Fluted White	28313FWH
Pack 5	Close-Coupled Std Doc M Pack with TMV3 Mixer Tap	
	Fluted Blue	28314FBU
	Fluted White	28314FWH
	Fluted Dark Blue	28314FDB
	Fluted Mid-Grey	28314FMG
	Stainless White	28314SWH
	Stainless Dark Blue	28314SDB
	Stainless Mid-Grey	28314SMG
Pack 6	Low-Level Std Doc M Pack with TMV3 Mixer Tap	
	Fluted Blue	28315FBU
	Fluted White	28315FWH
Pack 7	Close-Coupled Contemporary Doc M Pack – Stainless Steel	28319SS
Pack 9	Close-Coupled Peninsular Doc M Pack	
	Fluted Blue	28317FBU
	Fluted White	28317FWH
Pack 10	Close-Coupled Ambulant Doc M Pack	
	Fluted Blue	28318FBU
	Fluted White	28318FWH

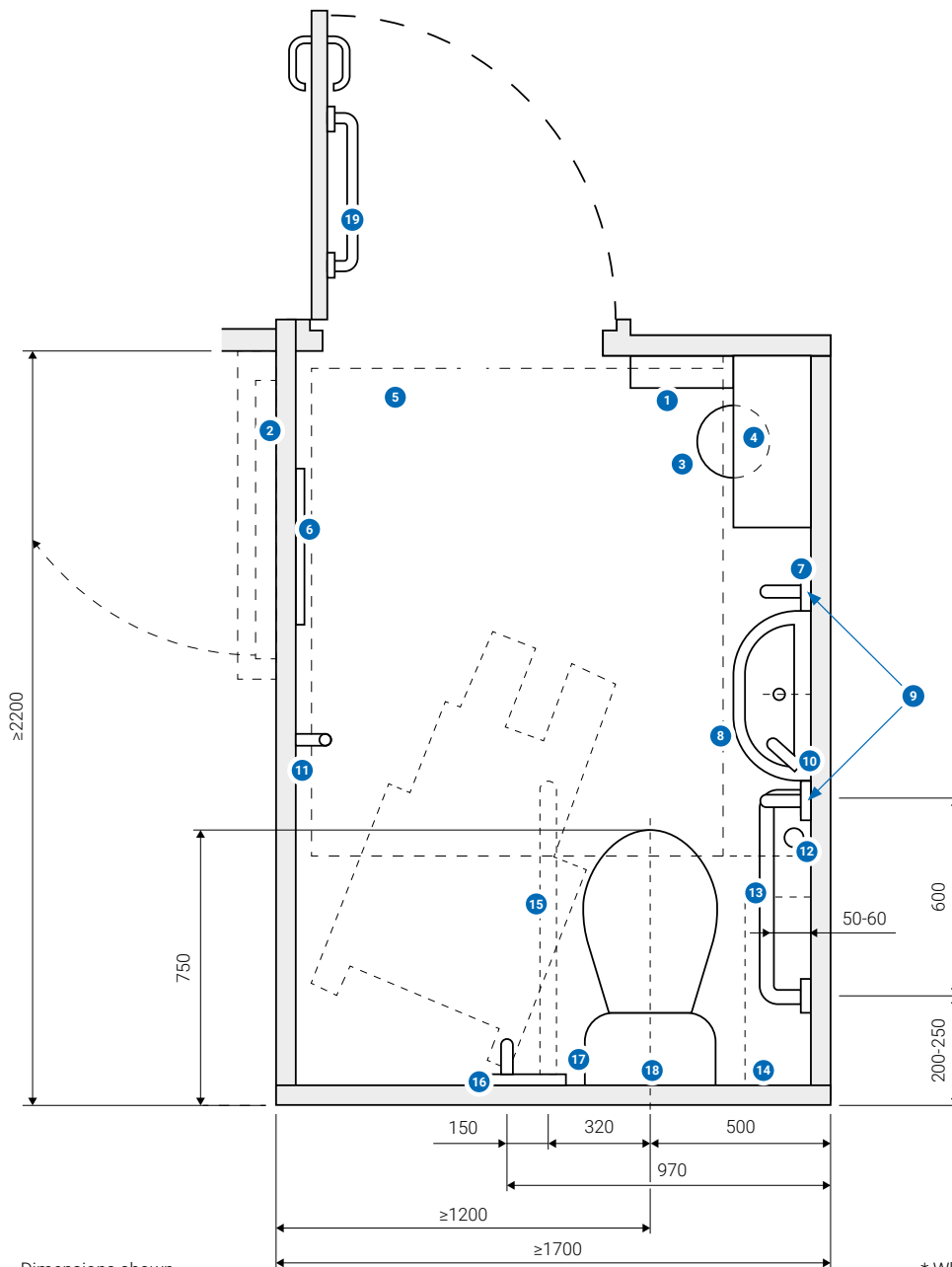
Dimensions



Doc M Installation – Plan View

Doc M compliancy is dependent on the design of the space and placement of the products. This means that although you may have purchased a Doc M sanitaryware pack most relevant for the environment and user needs, unless this is installed correctly and follows guidance issued within Doc M Building Regulations, your washroom will **not** be fully compliant.

The below drawing illustrates how to correctly install this pack to create a compliant Doc M washroom.



Dimensions shown
in millimetres

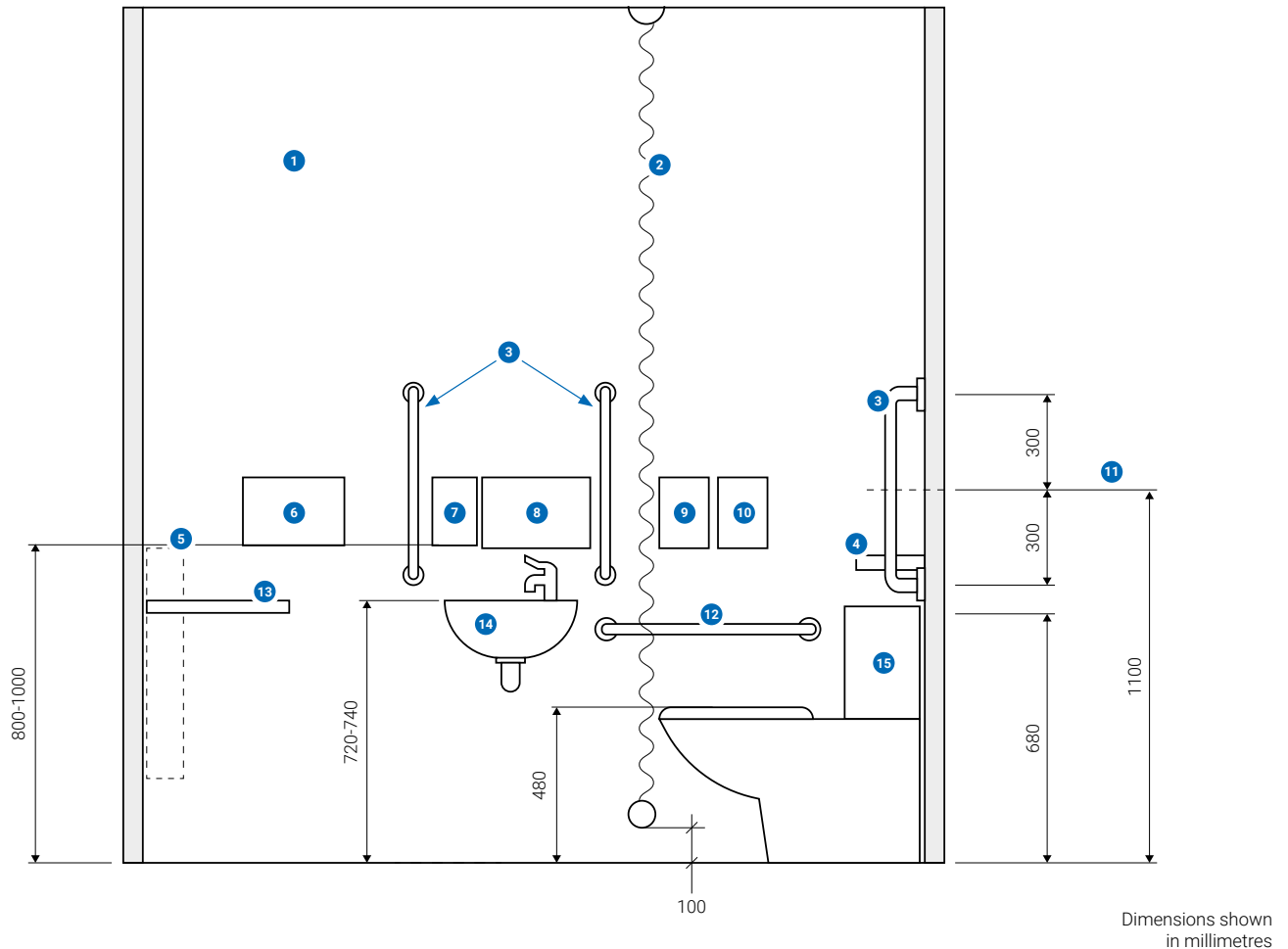
Key

1. Sanitary dispenser
2. Alternative door position
3. Waste disposal bin
4. Shelf, installed 760mm above finished floor level
5. Wheelchair turning space (1500x1500mm)
6. Long mirror
7. Wall A (see side view)
8. Wash basin, this should project no further than 250mm from wall
9. Vertical grab rails
10. Mixer tap, installed on side of basin nearest WC
11. Two clothes hooks, installed 1050mm and 1400mm above finished floor level
12. Alarm pull cord
13. Horizontal grab rail
14. Sanitary disposal unit
15. Fold-up support rail
16. Vertical grab rail
17. Flush mechanism, installed on side of cistern furthest from wall
18. Flat-topped, close-coupled cistern, provides back rest and colostomy bag changing surface for standing users *
19. Horizontal pull rail on outward-opening door

* Where low-level cisterns are used, a rail with padded back rest should be provided, and a colostomy bag changing shelf installed 950mm above finished floor level.

NOTE: Examples shown are for right-handed transfer to WC.

Doc M Installation – Side View



Key

- | | |
|--|--|
| <ul style="list-style-type: none"> 1. Wall A (see plan view) 2. Alarm pull cord with two red bangles 3. Vertical grab rails installed above wash basin 500-700mm apart with basin positioned centrally below 4. Colostomy bag changing shelf, installed 950mm above finished floor level * 5. Sanitary dispenser, installed on wall adjacent to door, with coin slot positioned 750-1000mm above finished floor level 6. Automatic hand dryer 7. Soap dispenser | <ul style="list-style-type: none"> 8. Paper towel dispenser 9. Toilet tissue dispenser 10. Alarm reset button 11. Centre of vertical grab rails should be 1100mm 12. Horizontal grab rail 13. Shelf, installed 760mm above finished floor level 14. Wash basin, mixer tap installed on side of basin nearest WC 15. Flat-topped, close-coupled cistern, provides back rest and colostomy bag changing surface for standing users * |
|--|--|

* Where low-level cisterns are used, a rail with padded back rest should be provided, and a colostomy bag changing shelf, installed 950mm above finished floor level.

NOTE: Examples shown are for right-handed transfer to WC.