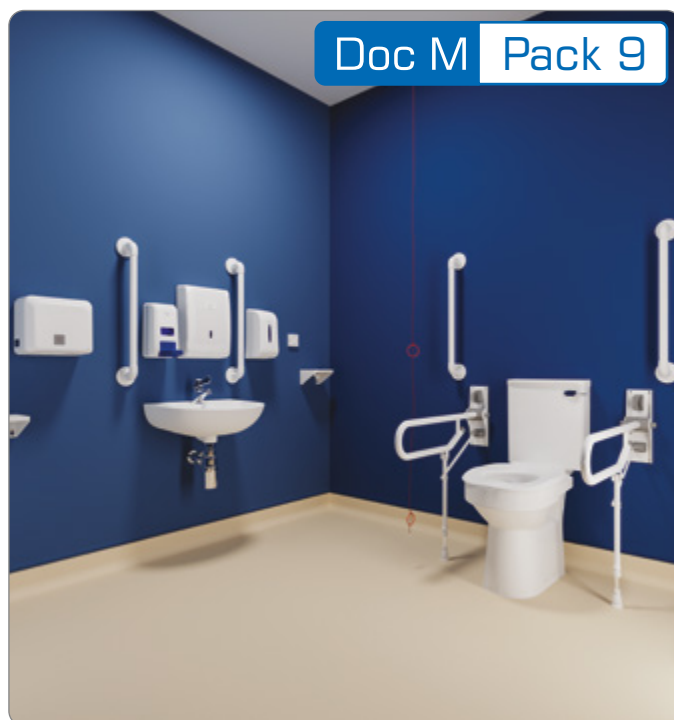


Product Overview

The Peninsular pack contains the essentials needed to install a fully compliant Doc M washroom, featuring a close-coupled WC with lever flush and 750mm projection, Navlin wash basin with thermostatic mixer tap, a selection of grab rails able to support up to 30st (200kg), and our Doc M accessory pack.

Pack Specification

- + Navlin Doc M raised-height, rimless toilet pan with 750mm projection
- + Water-saving, close-coupled cistern with lever flush and screw-down lid
- + Ergonomic toilet seat with soft-close hinges and seat lugs, without lid (available in blue or white)
- + Navlin 550mm wash basin with one tap hole
- + TMV3 WRAS approved thermostatic mixer tap
- + 600mm straight grab rails with uPVC fluted finish (available in blue or white) x 4
- + 450mm straight grab rail with uPVC finish (available in blue or white)
- + Fold-up rails with adjustable leg and optional toilet roll holder, finished with an epoxy resin coating (available in blue or white) and treated with a rust inhibitor x 2
- + Doc M accessory pack: small shelf, large shelf, contrasting blue clothes hooks x 2, alarm pull cord, lever-operated soap dispenser, electric hand dryer, paper towel dispenser and toilet tissue dispenser



Guarantees & Approvals

- + WC conforms to BS EN 997 and current UK Water Supply (Water Fittings) Regulations
- + Wash basin conforms to BS EN 14688
- + AKW are self-certifying and supplying approved flush fittings in line with current UK water regulations for compliance purposes
- + WRAS approved cistern fittings



Sanitaryware (ceramic), toilet seats, brassware, grab rails & accessories



Flush fittings & fold-up rails



Electrical items



Cistern fittings & brassware



Features & Benefits

- + **Rimless toilet pan** offers improved hygiene levels by reducing the build-up of bacteria and making cleaning easier
- + **480mm raised-height toilet pan** (height with seat affixed) complies with Doc M guidelines, with **extended 750mm projection** to aid with side transfer
- + **Ergonomic toilet seat (without lid)** is shaped for comfort and easy cleaning, comes with seat lugs for stability when side transferring, and soft-close hinges for safety
- + **Lever flush cistern** can be easily operated by hand, closed fist, or elbow, ideal for those with limited dexterity, with a **screw-down lid** for added security and safety in public facilities
- + **3/6 litre flush options** increase performance and water efficiency
- + **One tap hole wash basin** with a flat tap deck for easy cleaning
- + **TMV3 approved thermostatic mixer tap** with lever handle prevents scalding
- + Grab rails feature a **fluted uPVC finish** which offers superb grip even when wet, and can support loads of up to 15.5st (100kg)
- + **Fold-up rails** support loads of up to 30st (200kg), feature **adjustable legs** and optional toilet roll holder, are finished with an epoxy resin coating and treated with a rust inhibitor for longevity
- + Shelves feature **round corners to reduce injury** in the event of a trip or fall
- + Blue clothes hooks for **high colour contrast**
- + Alarm pull cord with **long pull cord** and two **bangles for grip**
- + **Lever-operated** soap dispenser is easy to use with an elbow or closed fist
- + Paper towel and toilet tissue dispensers are **both lockable**
- + Hand dryer with high output element for **rapid drying**
- + **Components individually packaged** in recyclable materials to prevent damage during transit

Product Codes

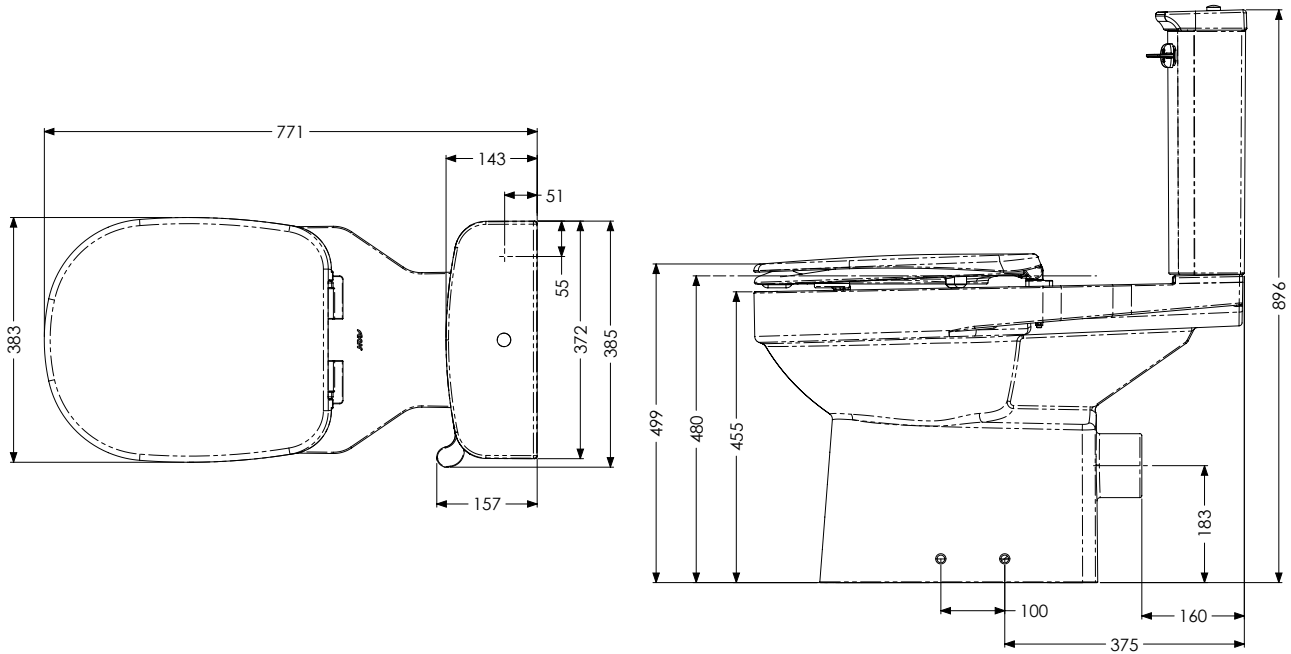
Pack 9 Close-Coupled Peninsular Doc M Pack

Fluted Blue	28317FBU
Fluted White	28317FWH

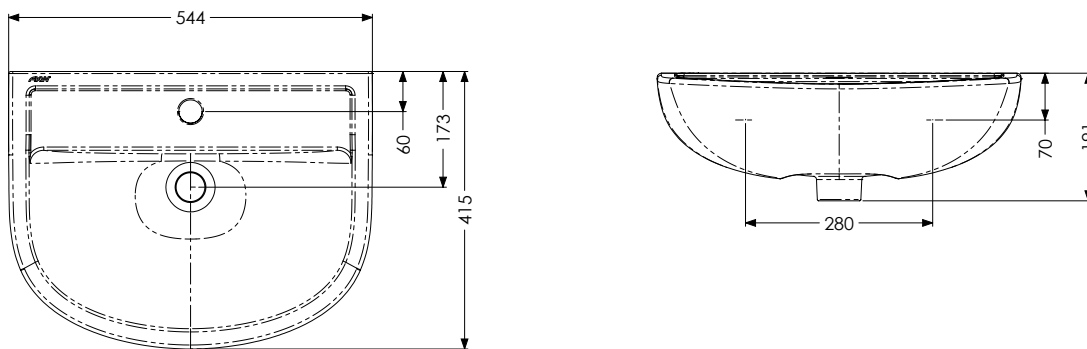
Related Products

Pack 1	Fully Compliant Close-Coupled Doc M Pack – Fluted Blue	28310FBU
Pack 2	Fully Compliant Low-Level Doc M Pack – Fluted Blue	28311FBU
Pack 3	Close-Coupled Std Doc M Pack	
	Fluted Blue	28312FBU
	Fluted White	28312FWH
	Fluted Dark Blue	28312FDB
	Fluted Mid-Grey	28312FMG
	Stainless White	28312SWH
	Stainless Dark Blue	28312SDB
	Stainless Mid-Grey	28312SMG
Pack 4	Low-Level Std Doc M Pack	
	Fluted Blue	28313FBU
	Fluted White	28313FWH
Pack 5	Close-Coupled Std Doc M Pack with TMV3 Mixer Tap	
	Fluted Blue	28314FBU
	Fluted White	28314FWH
	Fluted Dark Blue	28314FDB
	Fluted Mid-Grey	28314FMG
	Stainless White	28314SWH
	Stainless Dark Blue	28314SDB
	Stainless Mid-Grey	28314SMG
Pack 6	Low-Level Std Doc M Pack with TMV3 Mixer Tap	
	Fluted Blue	28315FBU
	Fluted White	28315FWH
Pack 7	Close-Coupled Contemporary Doc M Pack – Stainless Steel	28319SS
Pack 8	Low-Level Contemporary Doc M Pack – Stainless Steel	28316SS
Pack 10	Close-Coupled Ambulant Doc M Pack	
	Fluted Blue	28318FBU
	Fluted White	28318FWH

Dimensions



Navlin Doc M Close-Coupled WC with 750mm projection, lever flush, and ergonomic toilet seat with lid *



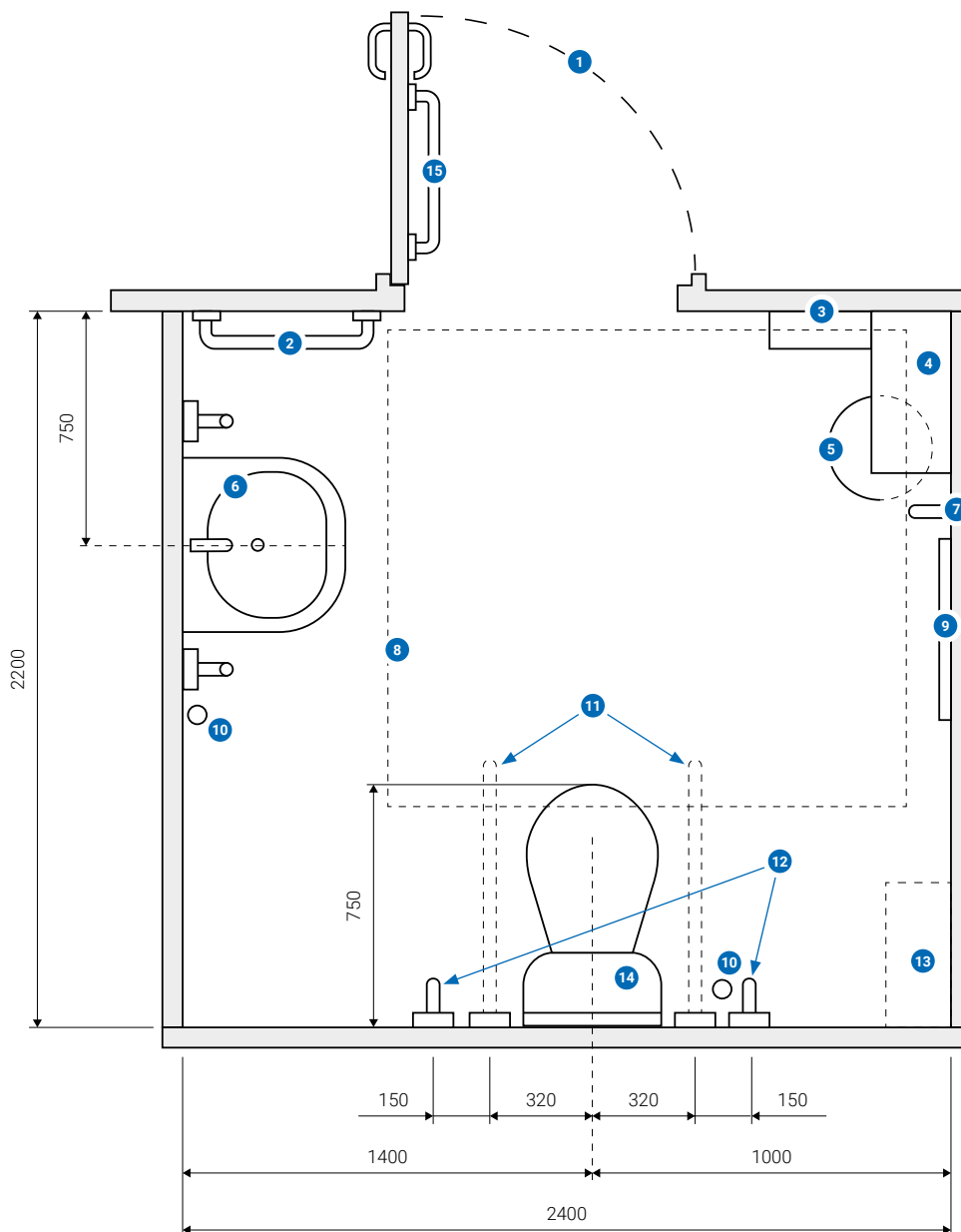
Navlin 550mm Wash Basin

* Please note the toilet seat available with this pack does not come with a lid.

Doc M Installation

Doc M compliancy is dependent on the design of the space and placement of the products. This means that although you may have purchased a Doc M sanitaryware pack most relevant for the environment and user needs, unless this is installed correctly and follows guidance issued within Doc M Building Regulations, your washroom will **not** be fully compliant.

The below drawing illustrates how to correctly install this pack to create a compliant Doc M washroom.



Key

1. Door, may be installed at any position along wall, but leading edge cannot be less than 300mm from return wall
2. Towel rail
3. Sanitary dispenser
4. Shelf, installed 760mm above finished floor level
5. Waste disposal bin
6. Large wash basin, installed with mirror above and vertical grab rails either side 500-700mm apart
7. Two clothes hooks, installed 1050mm and 1400mm above finished floor level
8. Wheelchair turning space (1500x1500mm)
9. Independent tall mirror
10. Alarm pull cord
11. Fold-up support rails, one with a toilet roll holder
12. Vertical grab rail
13. Sanitary disposal unit
14. Flat-topped, close-coupled cistern, provides back rest and colostomy bag changing surface for standing users *
15. Horizontal pull rail on outward-opening door

* Where low-level cisterns are used, a rail with padded back rest should be provided, and a colostomy bag changing shelf installed 950mm above finished floor level.

Dimensions shown in millimetres