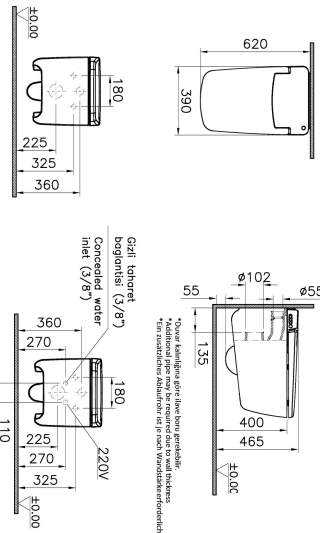


Name	V-Care Prime Wall-Hung WC
Collection	V-Care
Height	410
Width	390
Depth	620
Brand	VitrA
Finish	VitraClean
Soft close	Yes
Certificate	Belgaqua
Certificate	CE
Certificate	DVGW
Certificate	SVGW
Colour	White
Designer	Arik Levy
Bidet Function	With bidet pipe
Outlet Type	Horizontal



Product Code: 7231B403-6216

Description



VitrA reserves the right to make changes in products and technical details without prior notice.

All drawings contain the necessary measurements which are subject to standard tolerances. For exact measurements, in particular for customized installation scenarios, it can only be taken from the finished ceramic product.