

EN User manual Sidelift 6400



EN Products

Height adjustable frames for worktops
SIDELIFT 6400

1. Introduction
2. Declaration of conformity with EU directives
3. Intended use
4. Technical data
5. Safe use
6. Safety arrangements
7. Load distribution and side forces
8. Actions after use
9. Instructions for recycling
10. Spare parts list
11. Electric system / Electric diagram

1. Introduction

We have the pleasure to deliver a Granberg Sidelift 6400, an electrically operated lifting and lowering system. The lift unit can be used separately, or together with the Granberg Wall cabinet lifts, and it becomes then a total adaptation of the kitchen. The lift is suitable for kitchens of various makes, which are made according to the standards EN 1116 and EN 1153.

Only authorized persons may use Sidelift 6400!

Authorization means obligation to read and follow the instructions.

It is very important that you read and understand the instructions before you use the device.

If you have any questions - contact your supplier.

This instruction manual shall be available for all concerned persons, be kept in a protected place and shall follow the product, if it is moved to another installation site or another house or apartment owner.

Correct use, operation, inspections and maintenance are decisive for efficient and safe work.

2. Declaration of conformity with EU directives

This product is CE-marked and is thereby declared to conform to the basic functionality and safety requirements of current Machinery, EMC and Low Voltage Directives.

"EC Declaration of Conformity" is found in a separate document.

3. Intended use

Sidelift 6400 is intended to vertically lift and lower the worktop to achieve a convenient location performing normal kitchen work. The operation shall be indoors, under normal housing conditions regarding temperature, humidity and lighting. Electric hob, a sink and drawers can be incorporated.

The product is not intended for use in moist environments.

It is assumed that the work top benches and the cabinets are made according to the standards EN 1116 and EN 1153.



Countertop on adjacent cabinets must not protrude over its cabinet frame. Protrusion of the countertop to adjacent cabinets constitute a risk of crushing and will not be accepted!

Any use other than the above is subject to approval by Granberg and definition of the current allowable working conditions. Contact Granberg to planned change approved!

Solid wood benches are not recommended.

4. Technical data

Installation	Floor-mounted
Front height	103 mm
Frame depth	561 mm
Depth worktop	15 mm shallower than worktops on fixed cabinets
Height adjustment	300 mm
Speed level	20 mm / S.
Electrical connection	Plug for 230 V, max 5.A
Plumbing connections	Connection is made with flexible hoses
Max no. of full work cycles per hour	5
Safety	There are safety switches under the cabinet and under the front in spaces for knees. The function of the safety switch is to stop the movement if it comes into contact with any object.
Lifting force	400 kg
IP-class	IP 20
Space to wall / adjoining cabinet	5 mm
Space to wall (for tiles)	15 mm
Tiling	From 700 mm above floor (alternatively all the way down to the floor)

5. Safe use

Sidelift 6400 is provided with safety arrangements in order to prevent and avoid damages and accidents. It is however still very important that the operator is well instructed in how to install and operate Sidelift 6400 unit. In the following, Sidelift 6400 means the lifting machine and the fitted accessories, such as hob and a sink.

- Only use the Sidelift 6400 unit for its intended purpose.
- The operation and use must be made in such way that there is no risk for damages on persons and property.
- Sidelift 6400 may only be operated by persons who have read and understood these instructions, and are authorized to use it.
- Be aware of that you as an operator are responsible for that nobody is damaged. Sidelift 6400 and the work area must be in proper condition. Sidelift 6400 must not be used if any fault has appeared which influences the functions or the operation safety. It shall also not be used if it has been repaired, altered or adjusted without permission of a responsible person.
- Do not touch any part of the lift when operating it. Only press the button for desired motion direction.
- Do not put hands, arms, or any other part of the body or any object under the worktop or the cabinets when it is operated.
- Do not operate with drawn out drawers.
- Do not raise Sidelift 6400 unless the space above it is free from persons or obstacles. In particular if Sidelift 6400 is installed under a Wall cabinet lift with adjustable height there is an imminent risk that you do not notice objects or equipment that might be trapped.
- Notice the jamming risk between Sidelift 6400 and adjacent worktops and cabinets.
- Only stable and securely loaded items may be handled. Mind the tilting risk for objects on the worktop, which are unstable, e.g. carelessly piled.
- Safety devices must not be taken out of service or removed.
- Alterations of Sidelift 6400 that influence the operational safety or the functions are not allowed.
- Do not overload Sidelift 6400 and make sure that the load distribution is correct.
- It is absolutely forbidden for persons to stay on the worktop, to stand on extended drawers or to use the lift for lifting persons.
- Always distribute the load uniformly on the worktop, to avoid cantilevered loading. Consider the risk that the load can roll, slide or fall over.
- Use safe and sufficient lifting methods when handling load to and from Sidelift 6400. In particular beware when handling heavy items, and goods with hazardous content or with sharp corners and edges.
- Be aware of the risks when you work on Sidelift 6400. The risks are depending on the arrangements on the worktop.
- Sidelift 6400 shall regularly, once a year, be inspected in order to prevent accidents.
- Applicable Building and Safe use Regulations must be complied with.
- Do not use Sidelift 6400 as a lifting jack, e.g. for lifting things from the floor.
- Do not use Sidelift 6400 in a potentially explosive environment.
- When the operation is in a public location, particularly when children can enter the work area, the operator shall make satisfactory arrangements to prevent persons from entering the hazardous area when the lift is being operated, or it has been lowered from the parking position, e.g. by means of blocking the work area or by means of adding protection devices.
- Decals and markings must not be removed or made illegible.
- During inspections, service and repair work there shall be no load on the worktop or in the cabinets.
- Competent persons only must carry out installation, service and repair works.
- Only Granberg original spare parts shall be used when replacing any parts. Our warranty commitment can otherwise be invalidated.

6. Safety arrangements

There are safety switches under the cabinet and under the front in spaces for knees. The function of the safety switch is to stop the movement if it comes into contact with any object.

Check the safety strip function often.

7. Load distribution and side forces

Note that the max. rated load means that the load is distributed over and inside the entire product. Point loads are not allowed.

It is absolutely forbidden for persons to stay on the worktop, to stand on extended drawers or to use the lift for lifting persons.

Basic loading requirements:

100 % of the rated load distributed over the entire cabinet volume.

- **Horizontal forces are not allowed.**
- **Horizontal forces can appear, for example, when pressing onto the shelves or the load.**

It is difficult to estimate the size of the actual horizontal force, so utmost care must always be taken. Further to the incorporated safety arrangements additional safety actions may be required on or at Sidelift 6400. Discuss suitable actions with your Granberg representative or with the health and safety inspection.

We recommend that a Risk assessment in accordance with the Machinery Directive shall be made for the actual working conditions. If the owner fits accessories, contact Granberg to get approval for the loading conditions.

Maximum load: 400 kg

Top board, hanging cabinets and all other equipment must be included in the maximum load.

Note that the max. rated load means that the load is distributed over and inside the entire Worktop Lift. Point loads are not allowed.

8. Actions after use

Sidelift 6400 shall after use be left in its current position.

Switch off the main switch and lock it in closed position, if unauthorized use can occur.

To prevent unauthorized use can it is also possible to furnish the control panel with a key switch, by means of which the control circuit is disconnected.

9. Instructions for recycling

When Sidelift 6400 shall be re-used it must be cleaned, inspected and go through a full operation test before it is installed on the new site.

We recommend the machine to be sent to Granberg or to the Granberg distributor to get this done. The machine is manufactured from re-usable materials or from materials that can be recycled.

10. Spare parts list

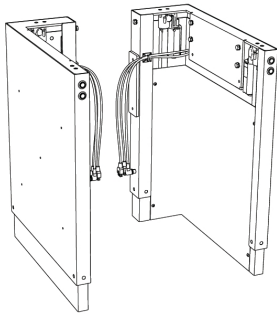
If any component does not work or has broken, contact your supplier. Only Granberg original spare parts must be used when replacing any parts. Our warranty commitment may otherwise be invalidated.

Return of spare parts:

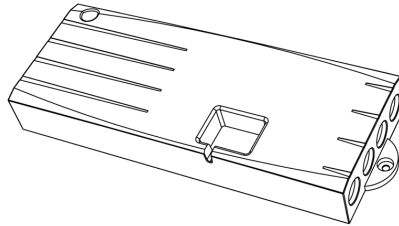
Contact Granberg prior to any return of parts.

Do not return any parts that have been worn out during normal operation or accidentally damaged. Only return worn or damaged parts if it is considered that the fault is covered by our warranty conditions. In such cases, return the parts without delay, otherwise the right to replacement may be lost.

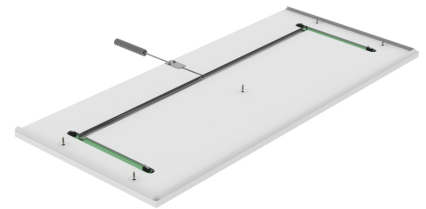
When ordering spare parts always quote the manufacturing number and type.



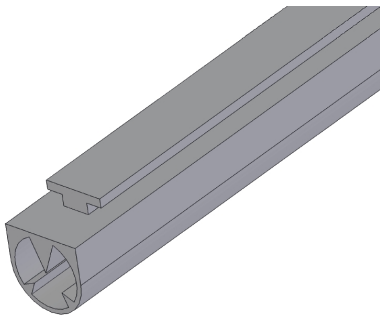
Motors



Control box



Safety trip panel



Safety strip



Control buttons, Mini

11. Electric system / Electric diagram

