

## Warranty Information

Proof of purchase will be required.

The guarantee does not cover faults or damage caused by incorrect installation and/or maintenance, ordinary wear and tear, water composition, etc.

\*Please see [www.methven.com](http://www.methven.com) for full terms and conditions of warranty

## Cleaning

Your product has a high-quality finish and should be treated with care to preserve the visible surfaces. Never use abrasives or abrasive cleaning agents to clean this product clean regularly with contamination free warm water and a damp soft cloth. Do not use products containing chlorine bleach or hydrochloric acid as these can damage the product.

We have a policy of continuous improvement and reserve the right to change specifications without notice.

METHVEN UK LIMITED  
METHVEN EXPERIENCE CENTRE  
3/3A STONE CROSS COURT  
YEW TREE WAY  
GOLBORNE  
WARRINGTON  
WA3 3JD  
UNITED KINGDOM  
INST-AVBCP  
20/10/2023

TEL: 0800 195 1602  
FAX: 0844 406 8690  
EMAIL: [sales@uk.methven.com](mailto:sales@uk.methven.com)  
[www.methven.com](http://www.methven.com)

# Avoca Cold Start Basin Mixer

## AVBCP

## Installation Guide

---

### Technical Specification

#### Operating Pressure

Min: 0.3 Bar

Max: 5.0 Bar

#### Operating Temperature

Hot: 65°C

Cold: 5°C

#### Inlet Connections

1/2" BSP

### Features

- Single lever operation
- Energy saving Cold Start - lever turns anticlockwise from cold to hot to prevent mid-blend operation.
- Water Saving - Optimised to deliver 4 litres per minute
- Directional aerator to prevent splash back
- Long life 35mm ceramic cartridge
- Includes easy clean press top waste
- Tap Height: 155mm



**METHVEN**  
[www.methven.com](http://www.methven.com) EST 1886

Please read all of the instructions before installation.

### General

Methven recommends this product is installed by a competent person in compliance with all relevant regional regulations.

After installation, all connections must be checked for leaks.

All outlets used primarily for personal hygiene shall deliver water at a safe temperature as per regional regulations.

It is the responsibility of the installer to ensure a waterproof seal is achieved.

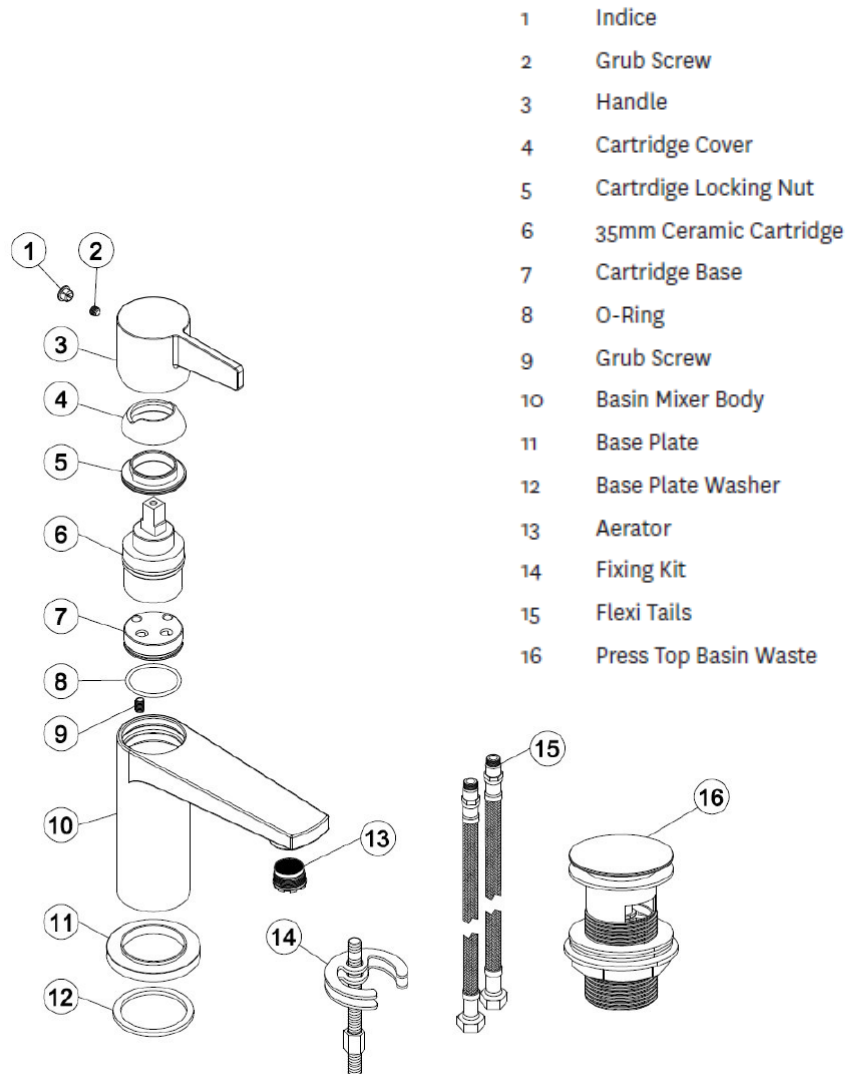
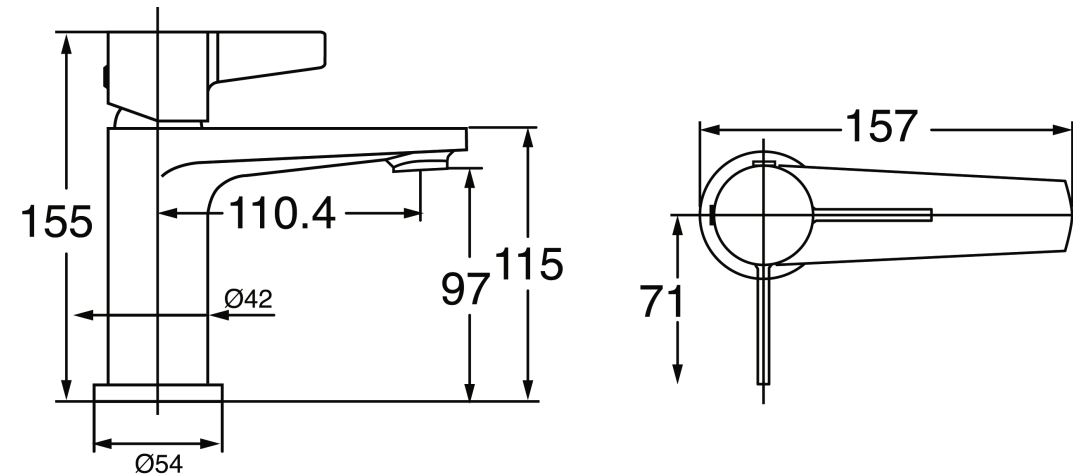
### Tap Installation Instructions

- 1) Fit the base ring onto the bottom of the tap body. The raised edge of the base ring sits inside the lip on the base of the tap with the rubber washer facing the basin.
- 2) Insert the fixing bolts into the bottom of the tap, with the slot facing out and using a flat bladed screw-driver tighten this up.
- 3) Screw the flexible tails into the bottom of the tap, by hand, until tight. Do not use PTFE tape, or similar, on the threads.
- 4) Feed the tails and fixing bolt into the hole in the basin, ensuring that the base ring and rubber washer are seated correctly and fully covering the hole.
- 5) From the underside of the basin feed the rubber horseshoe shaped washer over the fixing bolt followed by the metal one. Place the nut over the fixing bolt and tighten until the tap is fixed on the basin. Do not over-tighten.
- 6) Connect the hot and cold feeds to the water supply.
- 7) Reinststate the water supply and test for leaks.

### Waste Installation Instructions

- 8) Remove the locking nut, white plastic washer and smaller of the two rubber washers. Push the larger of the rubber washers up to the waste flange and insert into the hole for the waste in the basin. Please note sealant can be used in addition to, or instead of, the washers depending on the requirements of the installation or preferences of the installer.
- 9) On the underside of the basin feed the smaller rubber washer and plastic washer back onto the bottom of the waste tail and using the locking nut, tighten until the waste is secure. As above sealant can also be used.
- 10) Attach the trap/waste pipework to the bottom of the waste body and test for leaks.
- 11) To close the waste and fill the basin, simply press down on the domed cover until it clicks shut. To drain the basin, press down on the domed cover again to release. Note that the domed cover can be easily removed by lifting out of the waste body for easy cleaning.

### Line Drawing



14. Fixing kit Includes fixing bolts, horseshoe washers and fixing nuts