



Edge Concept

Edge mono sink mixer

Product Code: EDGE118

Finish: Chrome

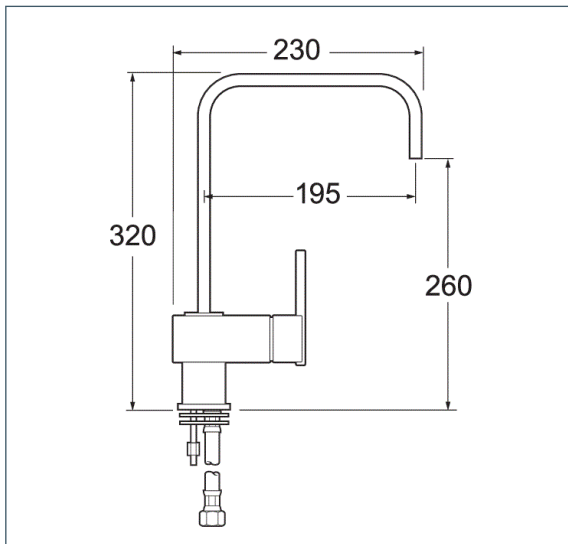
Features

| | |
|-----------------------|-----------------------------------|
| Construction: | Brass |
| Valve/Cartridge type: | Ceramic Cartridge |
| Supply: | Suitable for all plumbing systems |
| Working Pressures: | 0.3 - 5.0 bar |
| Inlet connections: | 1/2" BSP |
| Flexi or Copper: | Flexi Tails |

- Ceramic cartridge for smooth operation
- Tilt and turn temperature and flow control
- Swivelling spout
- In spout flow straightener



*Please refer to website for full warranty details.



Flow (Bar - l/min, open outlet)

Spout

| Flow 0.1 | Flow 0.3 | Flow 0.5 | Flow 1.0 | Flow 2.0 | Flow 3.0 | Flow 4.0 | Flow 5.0 |
|----------|----------|----------|----------|----------|----------|----------|----------|
| 3.1 | 5.6 | 7.3 | 10.5 | 15.4 | 18.7 | | |



1612022

