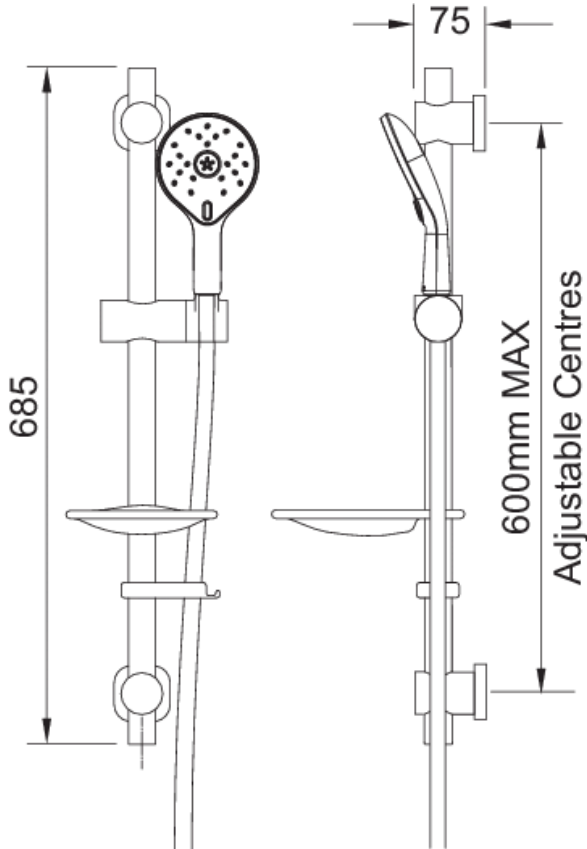


KAHA EASY FIT SHOWER KIT



CONSTRUCTION: Brass & ABS
SUPPLY: Suitable for all plumbing systems
INLET CONNECTIONS: ½" BSP
WORKING PRESSURES: 0.35 - 5.0 bar
CARTRIDGE/VALVE TYPE:

- Easy to fit shower rail - simply twist and lock brackets into place
- Smooth easy clean 1.5m hose
- Includes Kaha Satinjet handset
- Two types of spray - Satinjet body shower or massage
- Easy to clean faceplate

EKITo8/KH

Chrome

Open Outlet Flow (Bar - l/min)

BAR	0.3	0.5	1.0	2.0	3.0	4.0	5.0
HANDSET FLOW			9	9	9	9	9



1906087



Please Note: Flow rate will be dictated by installation configurations.
 Please ensure to check the appropriate flow restrictor information if applicable.
 *Please refer to website for full warranty details.

FREEPHONE: 0800 195 1602 | FAX ORDERS: 08444 068 690 | EMAIL: SALES@UK.METHVEN.COM

methven.com

THE INFORMATION ON THIS SPECIFICATION DOCUMENT WAS CORRECT AT THE DATE OF ISSUE. SOME VARIATION MAY OCCUR DUE TO THE MANUFACTURING TOLERANCES AND SITE SPECIFIC CONDITIONS.