

Warranty Information

Proof of purchase will be required.

The guarantee does not cover faults or damage caused by incorrect installation and/or maintenance, ordinary wear and tear, water composition, etc.

*Please see www.methven.com for full terms and conditions of warranty.

Cleaning

Your product has a high-quality finish and should be treated with care to preserve the visible surfaces. Never use abrasives or abrasive cleaning agents to clean this product. Clean regularly with contamination free warm water and a damp soft cloth. Do not use products containing chlorine bleach or hydrochloric acid as these can damage the product.

We have a policy of continuous improvement and reserve the right to change specifications without notice.

METHVEN UK LIMITED
METHVEN EXPERIENCE CENTRE
3/3A STONE CROSS COURT
YEW TREE WAY
GOLBORNE
WARRINGTON
WA3 3JD
UNITED KINGDOM

INST-ELSMCP-V1
13.10.2020

TEL: 0800 195 1602
FAX: 0844 406 8690
EMAIL: sales@uk.methven.com
www.deva-uk.com
www.methven.com

Ellesmere Flexi Sink Mixer

ELSMCP

Installation Guide

Technical Specification

Working Pressure:

Min: 0.5 Bar

Max: 5.0 Bar

Operating Temperature:

Hot: 65°C

Cold: 5°C

Inlet Connections:

½" BSP

Features:

- On trend design perfectly complements contemporary kitchens
- Pull down nozzle is ideal for rinsing pots and pans
- Lever handle is simple to use for all the family – tilt and turn temperature & flow control
- Fitted with a ceramic cartridge for easy operation and longevity
- Optimised to operate at 6 litres per minute in order to save water
- Chrome plated finish with matt black tube
- In full colour packaging



Contents

Congratulations on your purchase of your new Methven Sink Mixer. Our fitting instructions have been created with you in mind to provide you with all the information you require and, if you need any further help, please don't hesitate to contact our customer care team on 0800 195 1602.

General Safety Information	3
Line Drawing	3
Product Breakdown	4
Product Breakdown	4
Installation Requirements	6
Installation	6
Troubleshooting	7
Warranty Information	8
Cleaning	8

Troubleshooting

Symptom	Cause(s)	Resolution
Mixer not turning on	Mains Water supply turned off	Turn on the mains water supply
	Closed isolation valve	Open isolation valve
No hot water	Cold override	Check if the pressure is balanced. Fit pressure equalising valve.
Low Flow Rate/No Flow	Water supply failure	Investigate water supply, check plumbing and heating system for any faults
	Partially closed isolation valve	Open isolation valve
	Air lock or partial blockage in the supply pipework or hoses	Flush through pipework to ensure removal of debris and any airlocks.
	Water being drawn off elsewhere causing pressure changes or instantaneous boiler temperature changes. Ensure minimum pressure is being met.	Try not to use other water outlets when using the mixer
Water dripping from the mixer	This is normal for a short time after using the mixer	This is due to residual water tension, the build up of water in the mixer spout.
	If water continues to drip, possible issue with the flow control cartridge.	Please contact our customer care team.
Movement of fitted mixer	Fixing kit loose	Ensure fixing kit nut is sufficiently tightened.
	Extra support may be required depending on the surface the tap is fitted to.	Please contact customer care to purchase a under sink mounting triangle

Installation Requirements

Before commencing installation of the new product, ensure that the system has been flushed to remove any debris, which could cause damage to the valves and invalidate the warranty.

Installation

1, Put the O-Ring (B) into the base ring
2, Pass both Flexi Tails (G) through the S.S fixing tub (A) into the tap body, ensuring that the O-Ring on the tail is positioned inside the tap body. Hand tighten, do not use PTFE tape or similar to create the seal.

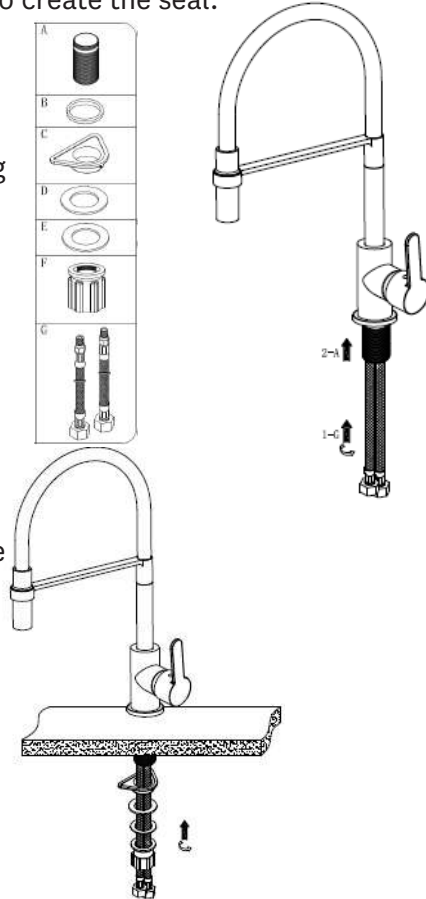
3, Offer the tap up to the hole in the sink
4, On the underside of the sink fit the Triangle fixing board (C) rubber gasket (D) and S.S gasket (E) on to the s.s. fixing tub (A)

Note: Plastic Triangle Fixing Board - This should be used on thin work surfaces to help distribute the weight of the tap and provide a thicker mounting surface for the fixing kit to clamp to.

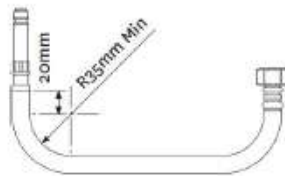
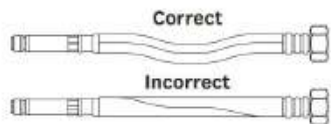
5, Install the plastic fixing nut (F) and fasten on to the s.s. Fixing tub (A) by hand

6, Connect the male end of the tail to the corresponding hot and cold inlets.

7, Reinstate water supply and test for leaks.



Do not stretch or twist hose



DO NOT crush
Hose or swaged
Ends

Please keep these instructions for future reference and request of replacement parts

General Safety Information

Please read all of the instructions before installation.

Methven recommends this product is installed by a competent person in compliance with all relevant regional regulations.

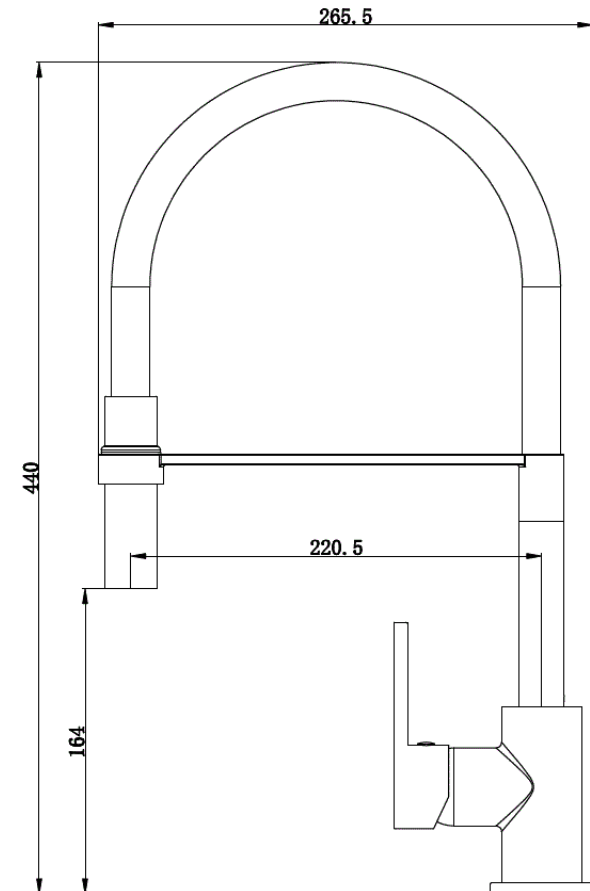
Remove all packaging and check the components for damage before starting installation.

This product **must** not be modified in any way as this will invalidate the guarantee.

It is the responsibility of the installer to ensure a waterproof seal is achieved, after installation all connections must be checked for leaks.

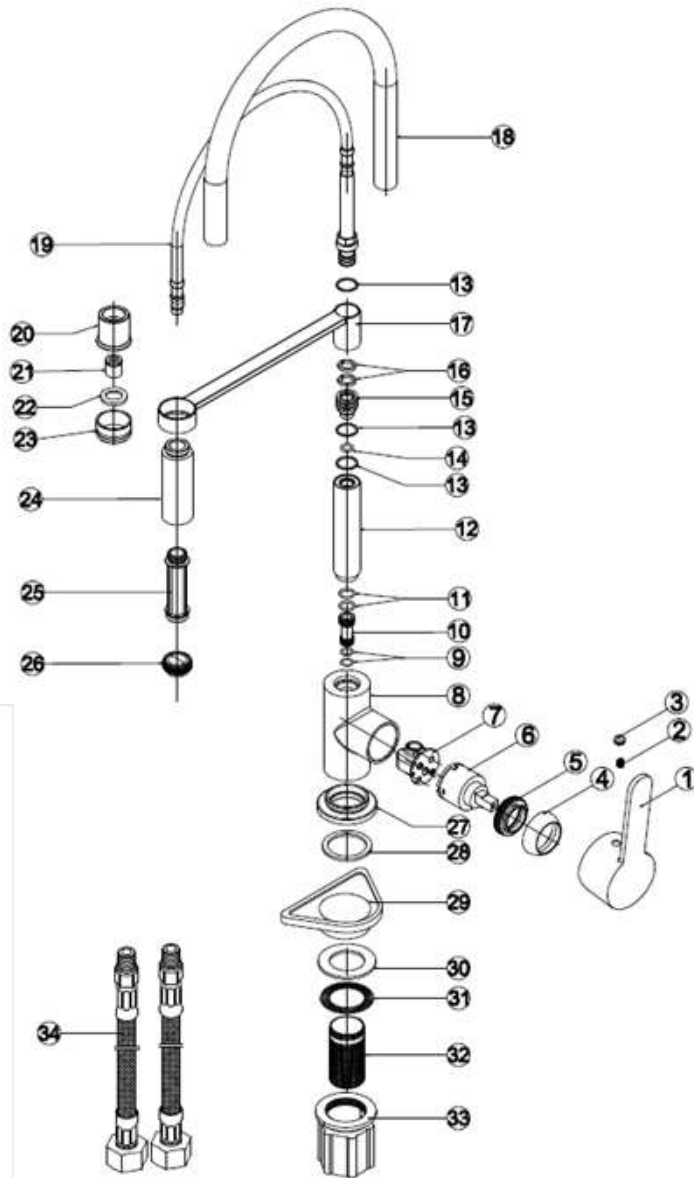
All outlets used primarily for personal hygiene shall deliver water at a safe temperature as per regional regulations.

Line Drawing



Product Breakdown

Check All components are present prior to starting installation.



Part No	Description
1	Handle
2	Screw
3	Indicator
4	Cartridge Cap
5	Hex Nut
6	Cartridge
7	Cartridge Base
8	Body
9	O-Ring
10	Connector
11	O-Ring
12	Brass Outlet Tub
13	Plastic Gasket
14	O-Ring
15	Brass Connector
16	Plastic Ring
17	Bracket
18	Silicon Tube
19	Hose
20	Brass Connector
21	Check Valve
22	Aerator Gasket

Part No	Description
23	Plastic Ring on the Bracket
24	Shower Body
25	Inside part of the Shower
26	Aerator
27	Base Ring
28	Base Ring Gasket
29	Fixing Triangle Board
30	Fixing Rubber Gasket
31	Fixing S.S Gasket
32	Fixing Tub
33	Fixing Nut
34	Flexible Hose

Shower Hose Parts	
Part No	Description
1	O-Ring
2	Brass Connector
3	Nut
4	Spare Parts
5	Inside Tub
6	Nylon Yard
7	Brass Connector
8	O-Ring