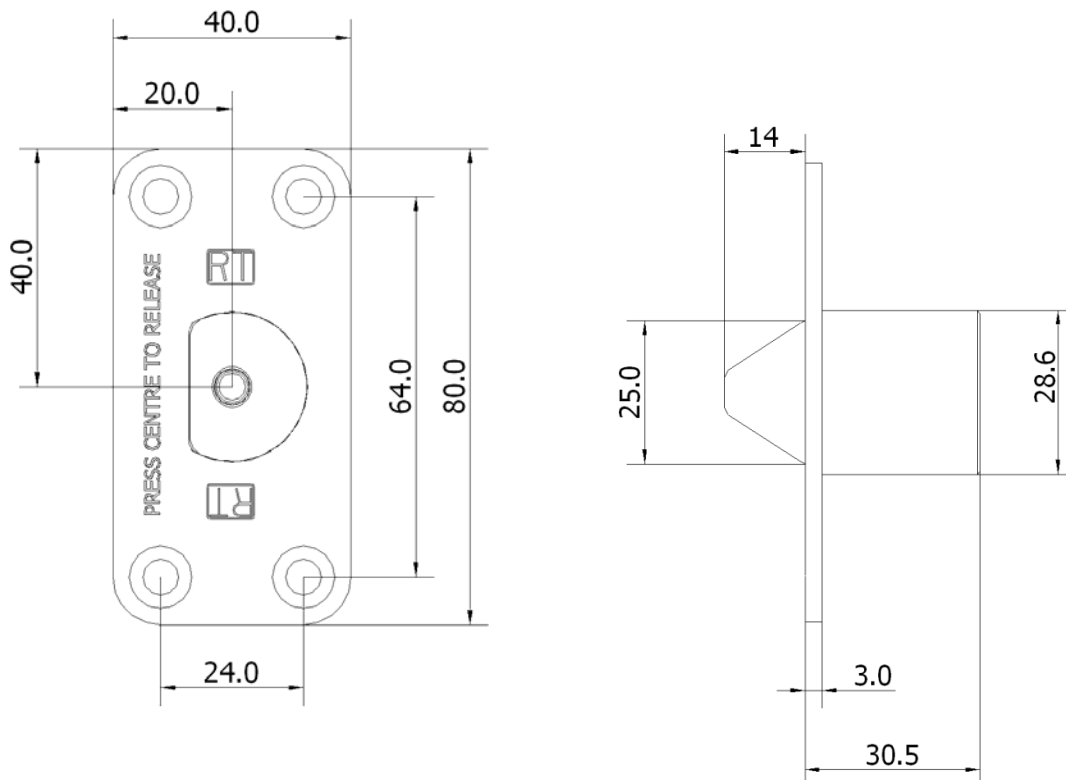
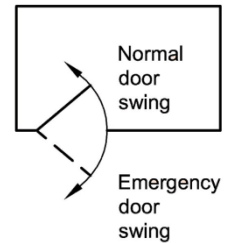


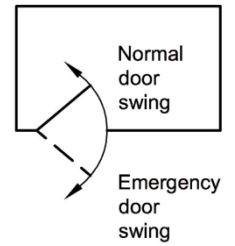
Royde & Tucker H131-300 emergency release door stop



- Grade 304 stainless steel
- Maintenance free, guaranteed for 25 years
- Allows Double Action doors to operate as single swing when hung on pivots
- Emergency access is gained by depressing the stop and pulling the door outwards
- Stop release resets automatically
- Includes holdback facility
- Complete with M5 x 30mm screws
- Stop can be locked in or out to e.g. prevent tampering

Note: The unit has an R8 radius for easier installation.

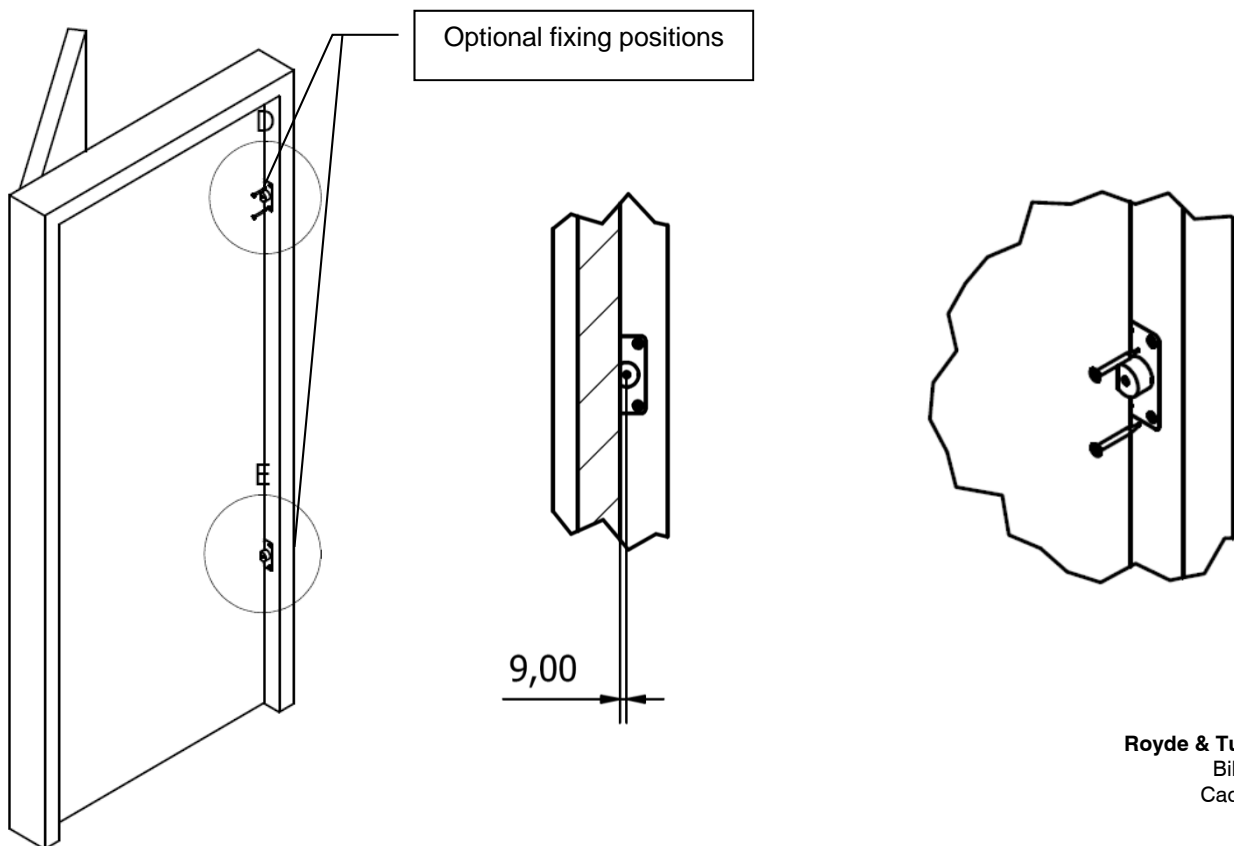
Parts as follows:
1-off: DOUBLE ACTION EMERGENCY RELEASE
4-off: 1-1/4" x No 10 WOODSCREWS.



FITTING INSTRUCTIONS.

1. DECIDE ON A POSITION FOR THE EMERGENCY STOP ON THE DOOR FRAME. SEE DIAGRAM POSITIONS D & E FOR TYPICAL INSTALLATION POSITIONS
2. FIT EMERGENCY STOP SO THAT THE FLAT EDGE IS FLUSH AGAINST THE DOOR WHEN THE DOOR IS FULLY CLOSED AND ALLOWS THE LOCK/LATCHBOLTS TO DEPLOY WITHIN THE STRIKEPLATE.

CHECK AND ENSURE SCREW IS FULLY TIGHTENED



Royde & Tucker Ltd
Bilton Road
Cadwell lane
Hitchin
SG4 0SB