

EVoline® One





EVoline® One

One size fits all.

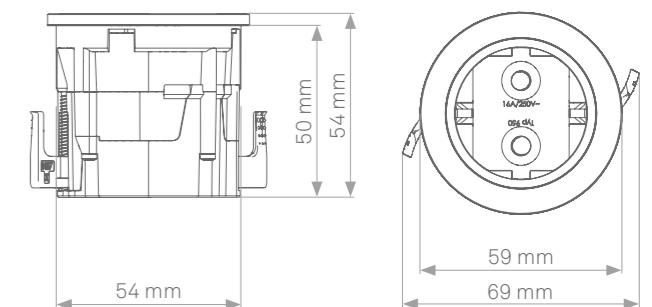
EVoline One - the compact power or data access point. The round socket can be installed horizontally or vertically and can be adapted to the respective requirements thanks to the wide range of modular inserts.



Available with internationally approved sockets.



In addition to the variable inserts, EVoline also offers individually selectable rotating covers. Whether at the workplace, in the conference room, in the lounge area or in the kitchenette, the EVoline One provides fast and safe access to power or data - and in a very space-saving, discreet manner at that.



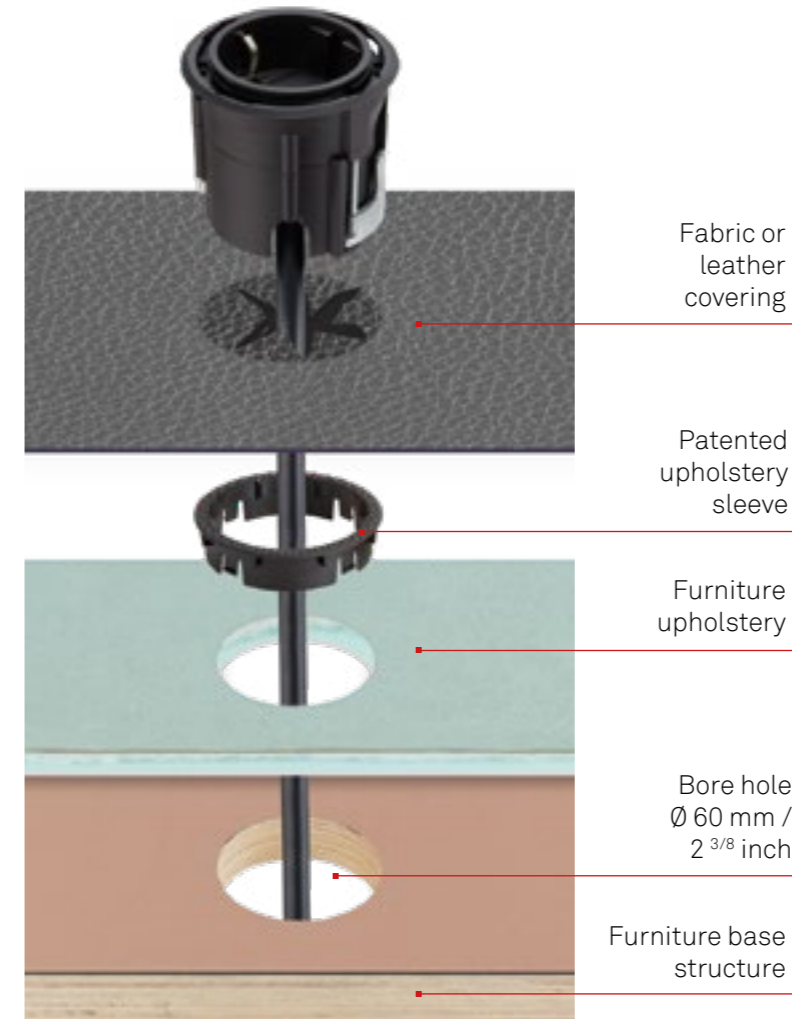


EVoline® One

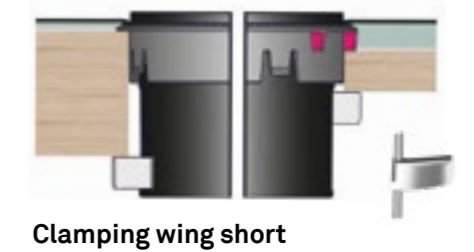
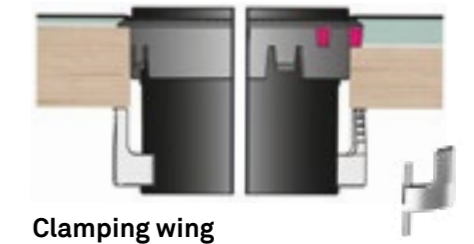
Installation anywhere.

With the help of the two upholstery sleeves, the One can also be easily installed in upholstered furniture. The different versions allow versatile installation in different upholstery and basic construction heights.

Installation in upholstered furniture.



Upholstery sleeves for flat and high upholstery.



Installation in very thin panel thicknesses or low installation depths.

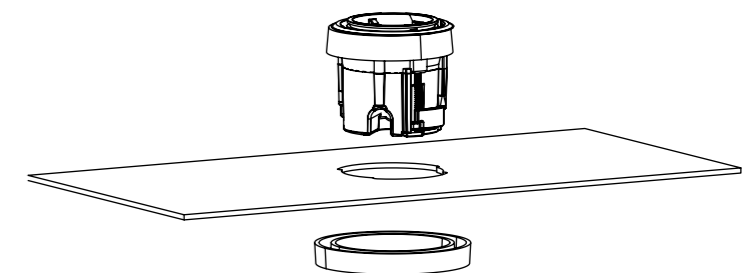
The two spacer sleeves Lift and SlimFit enable the One to be installed in very thin wall thicknesses from 1 mm. One or both sleeves are simply slid over the One as required during installation to achieve an additional 12 mm in front of and/or 10 mm behind the panel.



Lift - 12 mm



SlimFit - 10 mm





EVoline® OneLock

Protected everywhere.

The infrastructure of busy public spaces like airports, libraries or school buildings needs to have a long life span. And it has to be durable and protected from theft.

The OneLock is the ideal power supply solution in public areas because it provides effective anti-theft protection.

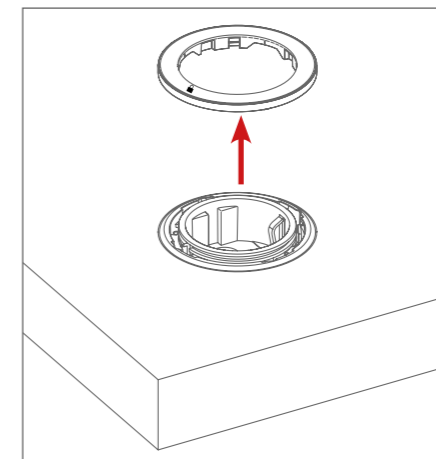
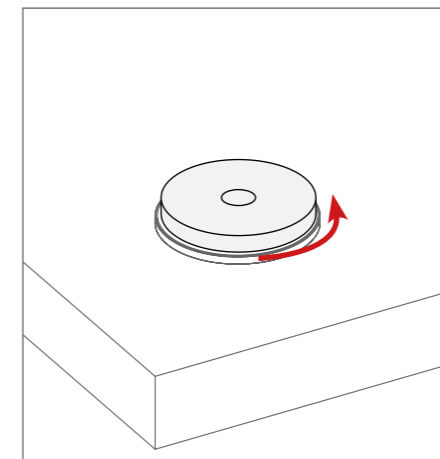
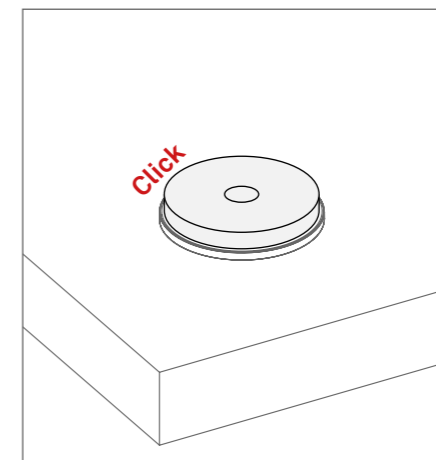
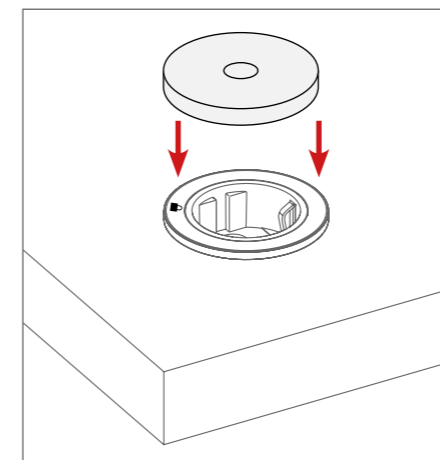
A special tool is required to release the ring on the fitted product.



Available with internationally approved sockets.



Unlatch the OneLock ring with the unlocking device.



A printed lock symbol is the only thing that differentiates the OneLock from the conventional One variant.

As the OneLock's housing was custom-developed to be a secure fitting, retrofitting the traditional model, or flush mounting isn't possible.



EVoline® OneDisQ

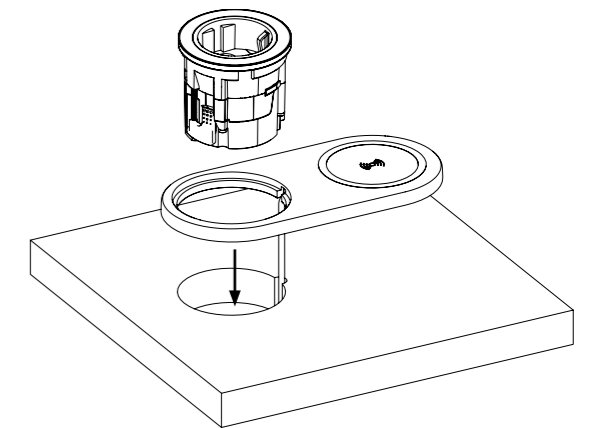
NEW



Inductive charging

The EVoline One DisQ is a module extension providing the much-sought option to add 'Wireless Charging' of compatible smartphones to installed EVoline One units. Easy to retrofit, it simply requires a small adjustment to upgrade whilst keeping the existing EVoline One installation. Power, USB Charger, Data or Multimedia sockets of the EVoline One remain free to use during Wireless Charging and can even be used simultaneously!

In conjunction with the optional One Lock, our tamper and theft-proof solution, the One DisQ cannot be removed by the end user, providing an ideal solution for applications within public venues such as Hotels, Restaurants, Coffee shops, Universities and many more.



Installation in upholstery or flush with the surface is not possible.

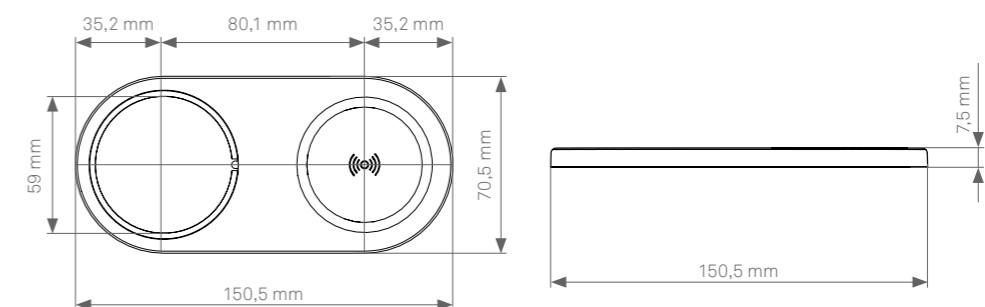
Available colours



Black



White



Schulte Elektrotechnik GmbH & Co. KG

Jüngerstraße 21
D-58515 Lüdenscheid

phone +49 23 51 / 94 81-0
fax +49 23 51 / 4 26 58

mail info@schulte.com

www.evoline.com

