

Product data sheet



Arsis
EVOLUTION



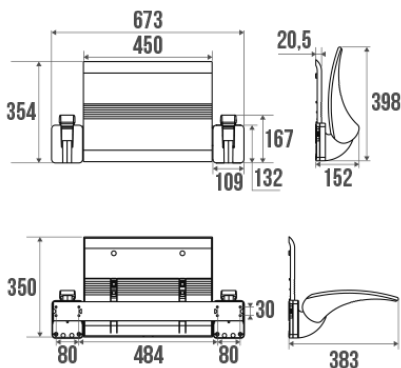
Information

Designation Backrest + 2 armrests - anthracite grey
Reference 047723

Product advantages

- + Offers more comfort and stability while seated in the shower.
- + Keeps back away from cold tiles.
- + Upgradeable product !

Description



System comprising a backrest and 2 armrests for shower seat, anthracite polymer.
Removable system.

Technical characteristics

Color	Anthracite grey
Material	Polymer
Gross weight	2.969 kg
Packaging	Cardboard box + Label
Guarantee	10 years
Gencod	3563390477236
Custom code	3922900000
Technical sheet	A04772000_IND_02
Spécificité	The pre-defined combination (backrest + 2 armrests) comprises a wall rail of 600 mm and the plate adaptors for armrests. Cover not included. This combination is upgradeable: depending on needs, the removable armrests can be replaced by 2 hinged bars ref. 048760 or the whole combination can be replaced with a straight removable bar of 600 mm ref. 044863 or a cover, ref. 044360.

Fixing and maintenance advices

Please refer to the instructions.

Maintenance

IMPORTANT: To ensure the sustainability of the product and user safety, we recommend using a solution made of mild soap for cleaning. CAUTION: DO NOT USE cleaning products made of: etones, hydrocarbons, acids, bases, esters and ethers. After use of a cleaning product, make a rinsing in the clear water.

Confort of use

Function

Support	★☆☆
Raising	★☆☆
Rest	★★★

Characteristics

Horizontal	★★★
Corrosion resistant	★★★

Type of Use

Shower	★★★
Cloakroom/Changeroom	★☆☆

Location of Use

Medical facilities	★★★
ERP/IOP	★★★
Hotels	★★★
Private homes	★★★
Workplaces	★★★

Fiche produit mise à jour le : 10/01/2023