

Product data sheet



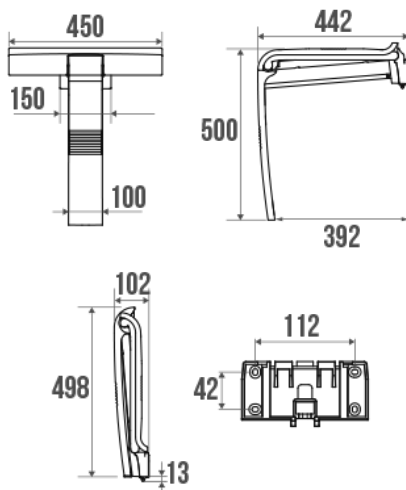
Information

Designation ARSIS foldaway shower seat, Anthracite grey
Reference 047729

Product advantages

- + An innovative and unique product: can be unclipped to enable the mounting of the ARSIS shower shelf.
- + Large size seat with a refined design for a maximum of comfort.
- + The ideal concept to transform its shower and make it accessible in complete safety.
- + Upgradeable product !

Description



Grey cast aluminium chair leg.
Ergonomic 450 mm large size seat made of anthracite grey polymer.
Epoxy-coated aluminium structure (tube Ø 25 mm).
Locking position, tamper-proof lock.
Can be unclipped from its wall bracket for cleaning and occasional community use.
Can be replaced by a shower shelf ref. 047739 if the user doesn't need the seat.

Standard height: 500 mm.
Screws included.
Concealed fixings.
Design coordinated with the ARSIS shower bars.
Perfectly suitable for use in the hospitality industry.

Technical characteristics

Finish	Epoxy-coated
Color	Anthracite grey
Dimensions	442 x 450 x 500 mm
Diameter Ø	25 mm
Material	Polymer & Aluminium

Gross weight	3.300 kg
Packaging	Cardboard box + Label
CE Marking : safe load	150 kg
Laboratory tests	225 kg
Guarantee	10 years
Net weight	2.700 kg
Gencod	3563390477298
Custom code	7615200000
Technical sheet	A13570016_IND_12
Spare parts	Réf. : 049742 : Clavette rouge.
Spécificité	The Arsis shower seat is only designed for a sanitary use.

Fixing and maintenance advices

Careful consideration and selection of the appropriate wall fixings according to the wall-mounted support is required to ensure the long life of your accessory. The use of stainless steel screws (Ø 4 mm) is highly recommended to prevent corrosion in damp environment. Before drilling, physically hold the product against the wall at desired position and mark the hole locations. All the fixing points must be respected. After installation and before use, make sure that all fixing screws are tightened securely. The shower seat provides support and added safety if properly fitted in accordance with our technical instructions. For use in seated position. To guarantee the user safety, DO NOT rise up on the seat. When the seat is raised, DO NOT use it as a grab bar. To avoid any risks of pinching out, DO NOT put your fingers in the mobile parts. The product does not contains any dangerous substance for the health. We disclaim all liability for any personal injury resulting from inappropriate installation or use of this seat.

Maintenance

IMPORTANT: To ensure the sustainability of the product and user safety, we recommend using a solution made of mild soap for cleaning. CAUTION: DO NOT USE cleaning products made of: etones, hydrocarbons, acids, bases, esters and ethers. After use of a cleaning product, make a rinsing in the clear water.

Confort of use

Function		Characteristics	
Rest	★★★★	Horizontal	★★★★
		Vertical	★★★★
		Corrosion resistant	★★★★
Type of Use		Location of Use	
Shower	★★★★	Medical facilities	★★★★
Cloakroom/Changeroom	★★★★	ERP/IOP	★★★★
		Hotels	★★★★
		Private homes	★★★★
		Workplaces	★★★★

Fiche produit mise à jour le : 10/01/2023