

Product data sheet



Information

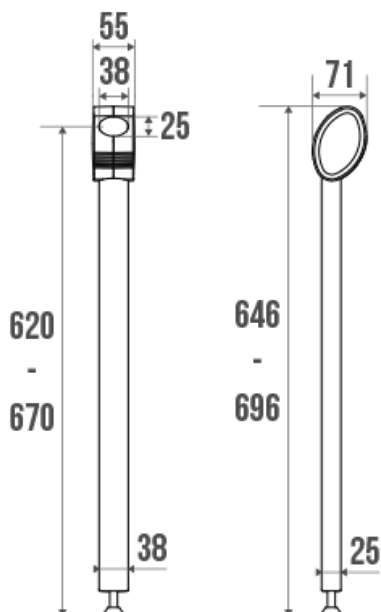
Designation	Adjustable support prop for ARSIS hinged bar, Anthracite grey Epoxy-coated Aluminium
Reference	048710

Product advantages

- + Automatic lock in support position.

Description

Aluminium tube 38x25 mm. Anthracite grey epoxy-coated. Sold separately.



Technical characteristics

Finish	Epoxy-coated
Color	Anthracite grey
Dimensions	620-670 mm
Diameter Ø	38 x 25 mm
Material	Aluminium
Gross weight	0.855 kg
Packaging	Cardboard box + label
Guarantee	10 years

Gencod	3563390487105
Custom code	7615200000
Technical sheet	A04861000_IND_02

Fixing and maintenance advices

Use of the prop is recommended when the fixing wall is not strong. **IMPORTANT:** The superior part of the hinged bar must be at 800 mm from the ground when in horizontal position.

Maintenance

IMPORTANT: To ensure the sustainability of the product and user safety, we recommend using a solution made of mild soap for cleaning. **CAUTION: DO NOT USE** cleaning products made of: etones, hydrocarbons, acids, bases, esters and ethers. After use of a cleaning product, make a rinsing in the clear water.

Fiche produit mise à jour le : 10/01/2023