

■ GEBERIT

GEBERIT CARES

GEBERIT AQUACLEAN MERA CARE.

INNOVATIVE THINKING
FOR INDEPENDENT LIVING



**5 YEAR
WARRANTY**

FREE 5 years parts and labour
when you register your product
geberit-aquaclean.co.uk/care

WE ARE COMMITTED TO THE HIGHEST POSSIBLE STANDARDS IN INDEPENDENT CARE. YOURS.

Geberit cares about innovation in independent living. By understanding the OT's and end user requirements we are able to offer an unrivalled package that will make you feel confident you are choosing the right product.

- Designed with aesthetics and function at its core
- Designed and adapted specifically for the needs of the care market
- A specialist sales team who understand the market
- We understand that the budget is important
- Easy personalised settings - no need for an engineer to be called out
- 5 year guarantee and 25 year parts stocking guarantee for internal cistern working parts.

WATER - THE NATURAL WAY TO CLEAN

05 DEVELOPED FOR INDEPENDENT LIVING

Find out more about how we have spent the past 40 years investing in the development of shower toilet technology.



06 MEET THE DESIGNER

Christoph Behling is one of the most respected industrial designers in Europe.



07 SWISS PRECISION

Our pioneering shower toilet is designed to put you in control in the bathroom.



08-09 CREATING INDEPENDENT SPACES

We want to help restore your independence and maintain your dignity by giving you the tools you need.



12-13 FEATURES AND BENEFITS

Specially developed for the care sector, with features tailored to your needs.



13 NEW FEATURES

We've upgraded our toilet to have more functions than ever! Find out more about them and how best to use them.



16 ACCESSORIES



- 17 FAQs
- 18 WARRANTY
- 20 ADVICE AND SERVICE
- 21 THE AQUACLEAN APP
- 22 FEATURES AT A GLANCE
- 23 TECHNICAL INFORMATION
- 24 SPEC SHEET

INDEPENDENCE IN THE HOME, AND PARTICULARLY THE BATHROOM, IS NEVER AN EASY SUBJECT TO TACKLE. FROM THE STIGMA OF 'INSTITUTIONAL' LOOKING SUPPORT AIDS TO THE COMPLEXITIES AND INCONSISTENCIES OF THE ASSESSMENT AND FUNDING PROCESS, IT CAN OFTEN BE A LONG AND CHALLENGING JOURNEY.

AT THE HEART OF THE ISSUE, HOWEVER, REMAINS A VITALLY IMPORTANT QUESTION; HOW CAN WE SUPPORT PEOPLE TO LIVE INDEPENDENTLY WITHOUT COMPROMISING THEIR DIGNITY?

While there is no magic wand to funding or red tape, with greater education, enhanced visibility of key solutions and a more collaborate approach, I believe it is possible to close the gaps between identifying a need and installing those solutions which can literally change lives.

The Geberit AquaClean Mera Care in every aspect, and at all levels of product development, we have focused on the needs of the end users – and the new five-year warranty underscores our confidence in what is a new generation product for the shower toilet market. Thanks to its outstanding functionality, this new product is not only beautiful to look at, it also makes life easier and more comfortable for the user.

Simon Thomas
National AquaClean Care Sales Manager

THE GEBERIT AQUACLEAN MERA CARE DEVELOPED FOR INDEPENDENT LIVING

The Geberit AquaClean Mera Care shower toilet is designed to put you in control.

Its innovative features include a hybrid hot water system with continuous flow heater and a water storage heater that guarantees warm water even if the wash is run one after another. The one minute wash cycle draws from the warmed tank of water and the continuous flow heater on the first use, this can be followed by another minute of wash with warm water directly from the continuous flow heater, whilst the water storage tank refills. Thanks to this technology you'll always have a warm water wash and the confidence to feel clean. Warm air drying will leave you clean and fresh, along with a single activation control panel for ease of use. Everything is designed with your comfort and convenience in mind.

Our development team have been working on the Geberit AquaClean Mera Care design for independent living for several years, utilising the Geberit Group's experience and expertise. We are constantly evolving and enhancing every aspect of our care products and have installed a number of these units across the UK during the development phase to test their installation and use, and to seek feedback, so we were able to make any enhancements required.



MEET THE DESIGNER

Christoph Behling was born in Geneva and grew up in Germany. He studied industrial design at the State Academy of Fine Arts in Stuttgart along with Richard Sapper. He began his career developing solar-powered boats during his time in Stuttgart, and then made a name for himself as a designer of sustainable products. In 2004, he founded the Christoph Behling Design Studio and SolarLab Research & Design in London. In the same year, he started working as lead designer for TAG Heuer, the Swiss watchmaking specialists. He has also been designing products for Geberit since 2006. Today, Behling is one of the most respected industrial designers in Europe. His work has repeatedly been awarded international prizes.



"For over four years, we worked together with around 30 engineers from various Geberit departments to develop the Mera. The end result is a quiet, beautiful toilet, which is better than all the others in almost every respect. There is currently no other shower toilet on the market that flushes as quietly and as efficiently as the Mera. The spray nozzle is gentle yet thorough. This would obviously also be the case if you used a lot of water, but the Mera cleans thoroughly and is environmentally-friendly at the same time due its low water consumption. The odour extraction unit works perfectly, and thanks to the gentle orientation light, you don't have to switch on the light during the night. The shower toilet can be easily adjusted with a great little remote control. The list of outstanding advantages is never-ending."

"There is currently no other shower toilet on the market that flushes as quietly and as efficiently as the Mera. The shower toilet can be easily adjusted with a great little remote control. The list of outstanding advantages is never-ending."



SWISS PRECISION AND INNOVATION

WE HAVE SPENT 40 YEARS INVESTING IN THE DEVELOPMENT OF SHOWER TOILET TECHNOLOGY FINE-TUNING OUR PRODUCTS TO ABSOLUTE PERFECTION. THE RESULT? THE GEBERIT AQUACLEAN.

Over the last 40 years at the Geberit headquarters in Rapperswil-Jona, Switzerland, we have invested a wealth of experience and expertise in development work for the shower toilet technology, with each new shower toilet our technology develops and we are able to offer something else new and innovative.

Armin Gierer, Head of the Geberit AquaClean product range, expresses the philosophy behind our pioneering work: 'When it comes to the development of our Geberit AquaClean shower toilets, we do not compromise on comfort and well-being. The calm, aesthetic design is based on a ground-breaking product concept and offers revolutionary, innovative technologies. Functionality, cleanliness and sustainability which set standards.'



"The revolutionary patented features are the result of a process of constantly perfecting that technology so it provides sophisticated Swiss precision in all of its functions, along with finely-tuned performance, comfort and convenience."

ARMIN GIERER
HEAD OF THE GEBERIT AQUACLEAN PRODUCT RANGE

CREATING INDEPENDENT SPACES

THE GEBERIT AQUACLEAN MERA CARE
SHOWER TOILET PUTS YOU IN CONTROL

The Geberit AquaClean Mera Care shower toilet has been specifically designed to put you in control, giving you confidence and independence in the bathroom. Smart, stylish and easy to use, its advanced technology enables you to have a greater sense of independence in the bathroom.

Geberit innovation brings together a range of innovative features in the AquaClean Mera Care, cleverly designed and adapted to take care of your individual needs and to put you in control. You'll feel cleaner and fresher with a comfortable, convenient and hygienic bathroom experience.



YOUR PERSONAL WELL-BEING PROGRAMME

EVERYTHING PERFECTLY TAILORED AND CUSTOMISED TO YOUR REQUIREMENTS

Every person has unique requirements, which is why the Geberit AquaClean Mera Care can be adjusted, from the position of the spray arm to the water temperature and intensity, right through to the dryer setting. Geberit AquaClean is an ideal solution for most living situations.



↑ TOUCH-FREE OPERATION

With the touchless remote, using the Geberit AquaClean Mera Care can be completely hands-free. A sensor detects movement and automatically starts the washing and drying sequence. All functions will only operate when you are seated. It will even flush the shower toilet automatically before the wash cycle – easy, private and convenient.



↑ PERSONALISED COMFORT

With the enhanced memory function on the remote control, you can select your own programme and store it, so that it can be used again and again. For added convenience, once saved the settings can be activated by the opto-remote or control panel. The remote also includes a button for flushing.



↑ TOTAL CONTROL

The wash and dry cycle can be easily activated by either the push-button control panel located to the side of the toilet, or the remote control, providing you with maximum control.



↑ ADJUSTABLE HEIGHT

Geberit AquaClean Mera Care (with a height range of 425mm – 560mm) is flexible to accommodate specific seat height requirements at installation, thanks to the in-built height adjustable stainless steel frame.



↑ ASSESSMENTS

As a service to you, our team of Product Specialists will work together with you and your Occupational Therapist to assess your requirements, free of charge and in the privacy of your own home. This is so you can be sure that the product is just right for you.

TOTAL CONTROL WITH NO CALL OUTS

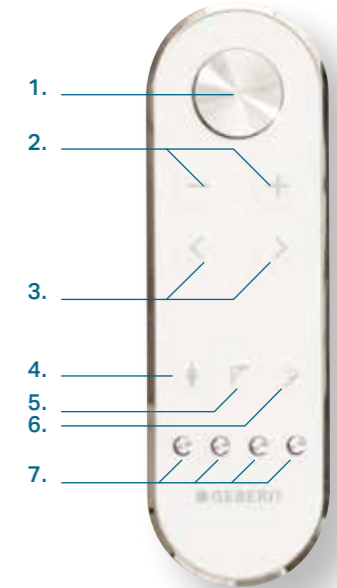
THERE'S NO NEED FOR AN ENGINEER, YOU CAN CONTROL ALL SETTINGS WITH THE REMOTE CONTROL OR THE **AQUACLEAN APP**

Spray functionality with comfort settings that can each be individually set to five levels.

Four user profiles can be saved individually.

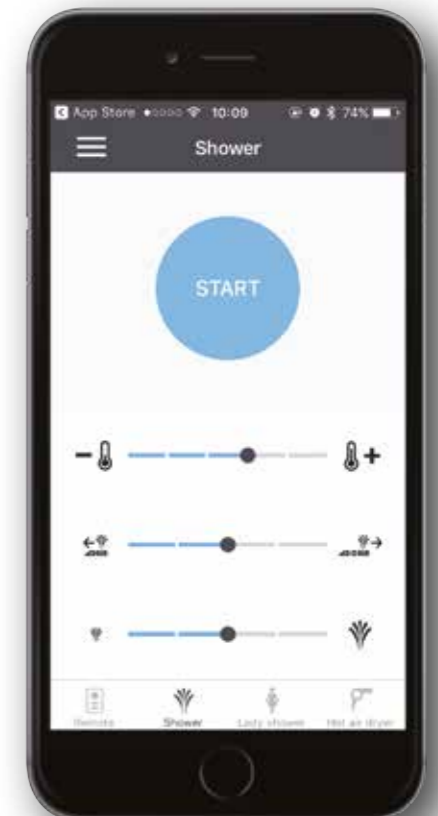
Option to make individual settings with the display on the rear side.

1. Start/stop shower
2. Spray intensity
3. Spray arm position/ Oscillating spray
4. Lady shower
5. Dryer
6. Flush actuation
7. User profiles(1-4)



With our new App, you can personalise your comfort levels to suit your individual preferences. It's compatible with the Geberit AquaClean Mera Care shower toilet and also includes access to helpful short videos to help you improve your AquaClean experience. It couldn't be easier or more suited to your needs.

- Applicable on other AquaClean models in hospitality settings
- Works with IOS, Android and tablets
- Connects with Bluetooth
- Personalised settings
- Care and maintenance section, including warranty details and technical support
- Useful videos for the user
- Voice control of functions



CLEANLINESS AT THE TOUCH OF A BUTTON

THE GEBERIT AQUACLEAN MERA CARE SHOWER TOILET, EXCLUSIVELY DESIGNED FOR THE CARE SECTOR.

A wide range of specialised features make this the perfect toilet for the care sector, providing all the comfort, convenience, compliance you are looking for – along with enhancing quality of life and levels of independence for users.



WhirlSpray shower technology

With five adjustable shower pressure settings.



Gentle intimate hygiene

Gentle cleaning of sensitive intimate areas with pure water.



Descaling function

Available via remote control.



Rimless ceramic pan

With TurboFlush technology.



Gentle drying

Take advantage of the gentle flow of air provided by the integrated warm air dryer.



Continuous flow heater and storage water heater

The ability to have two warm washes one after the other with a 1 minute cleaning time.



Your own personal well-being programme

Specify and store your unique preferences with the intuitive and clearly laid-out remote control.



No unpleasant odours

Powerful built-in odour extraction technology removes unpleasant smells.



Voice Control

The Geberit AquaClean Mera Care can also be controlled via the voice control function on the app.



Adjustable spray arm

The position of the spray arm and the intensity of the pulsating shower spray can be personalised.



Practical and easy to maintain

From the easily removable seat and lid to the automatic descaling programme, Geberit AquaClean Mera Care is specifically designed to be cleaned and maintained with minimal effort throughout its long service life.



Adjustable water spray temperature

Allows you to manage your preferred temperature.



Adjustable height

Geberit AquaClean Mera Care (with a height range of 425mm – 560mm) is flexible to accommodate specific seat height requirements at installation, thanks to the in-built height adjustable stainless steel frame.



Oscillating spray

The slight movement of the shower spray ensures a feeling of exceptional cleanliness.

Continuous flow heater and storage water heater

The ability to have two warm washes one after the other with a 1 minute cleaning time.

Automatic flushing via user detection

When the user sits up from the toilet seat, the flushing function operates automatically.

Flush actuation from remote control

Manual flushing can be activated by pushing the new flush button on the remote control for a full flush (6 litres).

Touchless wall control panel

Easy to activate panel with only one sensor button to start the shower program, including flush.

Shower chair mode

The shower chair mode can be switched on or off depending on the user's needs.

Fixed seat no lid

The toilet seat fittings are designed to withstand lateral forces giving the user complete peace of mind.



NEW FEATURES EXCLUSIVE TO THE MERA CARE

Geberit AquaClean Mera Care has been designed with you in mind. With its range of advanced and individually adjustable features, it is an ideal solution for greater independence at home.



↑ AUTOMATIC FLUSHING VIA USER DETECTION

When the user sits up from the toilet seat, the flushing function operates automatically.



↑ SHOWER CHAIR MODE

The shower chair mode can be switched on or off depending on the user's needs.



↑ MANUAL FLUSH VIA REMOTE CONTROL

Manual flushing can be activated by pushing the flush button on the remote control for a full flush (6 litres).



↑ FIXED SEAT NO LID

The enhanced toilet seat buffers are designed to withstand lateral forces.



↑ TOUCHLESS WALL CONTROL PANEL

Easy to activate panel with only one sensor button to start the shower program, including flush.

See page 22 for the full list of features and benefits

DESIGNED FOR EFFORTLESS HYGIENE

THE GEBERIT AQUACLEAN MERA CARE IS ENHANCED WITH MULTIPLE FEATURES WHICH AID EASY CLEANING AND MINIMAL MAINTENANCE

KARATECT GLAZE

The ceramic pan is covered in a special glaze called KaraTect® which creates a virtually non-porous surface that is very easy to clean. Not only does this make the surface more hygienic but also more durable and scratch proof.



ODOUR EXTRACTION

Thanks to the automatic, low-noise odour extraction unit, unwanted odours are absorbed even before they leave the ceramic pan and are eliminated by a ceramic honeycomb filter.



RIMFREE CERAMIC PAN

The Rimfree® ceramic pan ensures perfect hygiene. Thanks to its optimised water guide, the entire inner ceramic surface is completely rinsed, for much easier cleaning. Also since the pan is rimless, there are no hidden areas where deposits can build up.



ACCESSORIES SUITABLE FOR GEBERIT AQUACLEAN

QUALITY PRODUCTS FOR LONG-TERM SUPPORT

To ensure an all round comfortable experience Geberit AquaClean Mera Care can be used in conjunction with sani commode chairs and wall mounted grab rails, ensuring a feeling of well-being and offering added comfort and convenience.



SANI COMMODE CHAIRS FOR ADDED ASSISTANCE

A range of sani commode chairs are available and compatible with the Geberit AquaClean Mera Care.



WALL MOUNTED GRAB RAILS FOR ADDITIONAL SUPPORT

Grab rails provide extra support when seating and raising.

FREQUENTLY ASKED QUESTIONS

ALL YOU NEED TO KNOW

WHAT ARE THE BENEFITS?

For a more thorough and soothing clean, the gentle spray of warm water is kinder to your skin than cleaning with paper. You feel clean, rejuvenated and experience a higher level of satisfaction.

HOW DOES IT WORK?

Take a seat as a spray of warm water activates and washes you at an intensity level to suit you. As soon as you sit down, the odour extraction will be activated and finally you will be dried gently with a flow of warm air.

IS IT EASY TO USE?

Yes. Geberit AquaClean Mera Care has been designed with you in mind. It offers a variety of control options that allow you to choose whichever functions are most convenient. Even hands-free operation is included without compromising on individuality.

IS IT SUITABLE FOR PEOPLE WITH HEALTH PROBLEMS?

Yes, it is ideal for people who suffer from skin irritations in sensitive areas. This is because it cleans gently and thoroughly with fresh water. Many users find that their symptoms are considerably alleviated or even avoided.

HOW SUSTAINABLE IS IT?

Geberit AquaClean Mera Care makes the need for toilet paper obsolete. It only uses a small amount of well-directed water each time you activate the spray function. Paired with low energy consumption we have developed a feature packed shower toilet that is as sustainable as a conventional WC. Please contact us on freephone 0800 032 9629 to request a copy of our sustainability report.

CAN IT BE USED IN CASE OF A POWER CUT?

Yes it can. There is a mechanical flush button included, so you can continue using the Geberit AquaClean Mera Care as a standard toilet, should you experience a power cut.

HOW LONG IS A GEBERIT AQUACLEAN MERA CARE SHOWER TOILET LIKELY TO LAST?

In our experience, it can last up to 15 years. As with conventional toilets the lifespan of the WC will depend on how well it is maintained.

IS A LID AVAILABLE?

The Geberit AquaClean Mera lid can be added quickly and easily. The article number to order is 243.211.11.1 . Contact 01926 516 807 to make your purchase.

CAN IT BE CLEANED LIKE A CONVENTIONAL TOILET?

Geberit AquaClean Mera Care features a unique dirt-repellent finish for easy care and the highest standard of hygiene. Regular cleaning with a soft damp cloth and the Geberit AquaClean Mera Care cleaning agent, is recommended to keep the shower toilet in good condition.

WHO CAN INSTALL THE PRODUCT?

We were keen to develop a product that's innovative and easy to install. As a result, any qualified installer of your choice will be able to carry out the job.

WHERE CAN I PURCHASE OPTIONAL EXTRAS?

If you require an optional extra such as grab rails or a toilet lid, these must be purchased separately contact us on freephone 0800 032 9629.

WHO ARE GEBERIT?

Geberit is the European market leader in sanitary technology. Since its founding in 1874, the company has been a pioneer in the industry and continuously thrives on its Swiss precision and engineering. Geberit is recognised for producing state of the art products renowned for their endurance and cutting edge design.

The product range includes sanitary and plumbing systems, and ceramics. Geberit products are innovative, durable and ecologically efficient. The main production sites are situated in Switzerland, Germany and Austria.

→ www.geberit-aquaclean.co.uk/care

WARRANTY

PROVIDING PEACE OF MIND

Geberit is known worldwide for products of exceptional quality and design. That's why we offer a five year parts and labour warranty as standard. This is our promise to you.

Once your new Geberit AquaClean Mera Care has been installed, you can register it online by visiting:

→ www.geberit-aquaclean.co.uk/care

Or simply contact us on freephone:

→ **0800 032 9629**

When you have registered your product, any spare parts used by a service engineer and the labour to resolve a manufacturing defect or fault, will be supplied free of charge, for a total of five years.

5 years parts and labour guarantee



DEPEND ON INDEPENDENT EXPERTISE

OUR DEDICATED TEAM HAVE MANY YEARS OF EXPERIENCE IN CARE AND ARE HERE TO HELP

SIMON THOMAS

SALES MANAGER (NATIONAL)

07738 404 822

simon.thomas@geberit.com

MAX BARRATT

NORTH WEST / YORKSHIRE

07715 758 827

max.barratt@geberit.com

DENIS HARLEY

SCOTLAND / CUMBRIA & THE NORTH EAST

07966 964 514

denis.harley@geberit.com

MATT SMITH

THE SOUTH EAST & LONDON

07738 404 828

matthew.smith@geberit.com

RICHARD WHEELER

THE SOUTH WEST & SOUTH WALES

07515 063 521

richard.wheeler@geberit.com

JACK HUDSON

SOUTH CENTRAL

07802 203 068

jack.hudson@geberit.com



ADVICE AND SERVICE

A FULL RANGE OF SERVICES FOR YOU

We are sure that you will be delighted with Geberit AquaClean Mera Care. If you require technical, product or sales support, our team of advisors will be pleased to assist you.

Dedicated team of technical experts

We have a skilled team of expert technicians based across the UK, so you can expect quality after sales support and be confident that your Geberit AquaClean Mera Care will operate at its best for years to come.

Should you have any technical queries regarding Geberit AquaClean Mera Care, simply contact our technical team on 01926 516 800, who will be happy to advise you.

Helping you to get the most out of your product

Once installed the Geberit AquaClean Mera Care is very easy to use. However, if you would like to book a complimentary product training session, our Product Specialists will only be too happy to help. Contact us on freephone 0800 032 9629 to make an appointment.

Consumables

To purchase a new filter or consumables including cleaning agent for your Geberit AquaClean Mera Care, contact our Spares Direct Hotline on 01926 516807. Lines are open Monday to Thursday 8:00am - 5:30pm and Fridays 8:00am - 5:00pm.



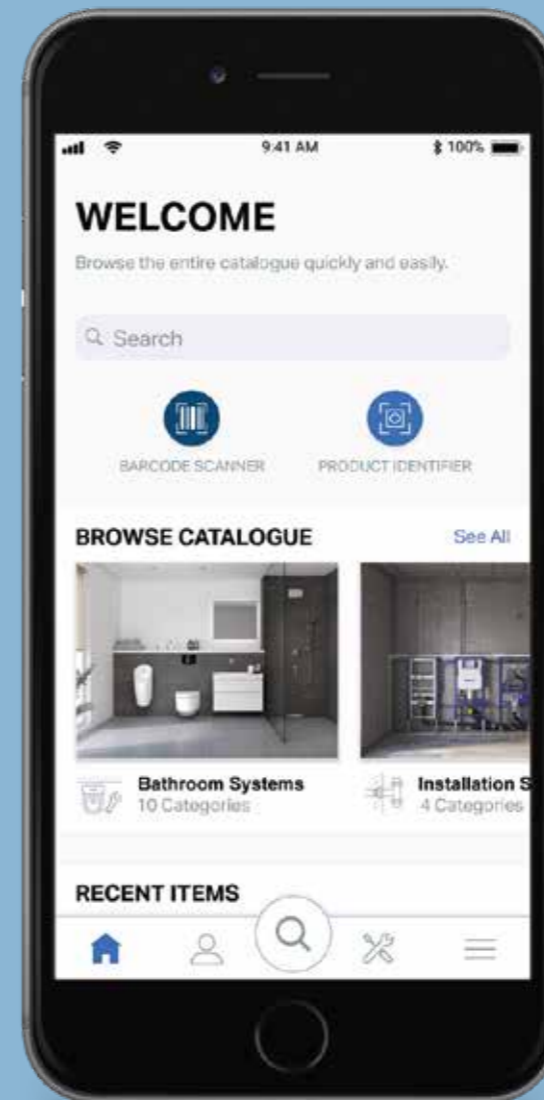
RESOURCES

VIDEO

For more help and information on the installation of your Geberit AquaClean Mera Care shower toilet, please visit:

Visit: www.geberit.co.uk/services/video-centre/

Or to see more demonstrative videos visit the Geberit Youtube channel: www.youtube.com/GeberitGroup



APPS

To register your Geberit AquaClean Mera Care warranty download the end user App from the app store.

IOS

Download the Geberit ProApp for iPhone and iPad



ANDROID

Download the Geberit ProApp for Android



FEATURES AT A GLANCE

DESIGNED WITH YOU IN MIND



FUNCTION	BENEFIT
WhirlSpray shower technology	Provides a comfortable clean whilst saving water
Oscillation function	Forwards and backwards spray arm motion
Adjustable shower arm	To suit your seating position
Separate lady shower nozzle in protected home position	Activates on request for gentle cleansing with fresh water
Adjustable water temperature	Select a temperature that is right for you
Continuous warm water heater	For maximum showering comfort
Fan dryer	Fully extendable with unlimited programme duration to suit you
Odour extraction with a ceramic honeycomb filter	To neutralise odours
SoftClosing WC seat	Inhibits seat slamming to prevent accidents
QuickRelease function for WC seat	For easy cleaning
TurboFlush technology	Toilet is flushed thoroughly and quietly
Rimfree® WC pan with dirt-repellent ceramic	Nowhere for germs to hide
Remote control	Easy-to-operate, ergonomically designed
End user app	Control your AquaClean with your app
User detection	Recognises user on toilet
Descal function	Indicates when descaling is required
Touchless control panel	Touch-free activation of wash, dry and flush
Programmable user profiles	Control can store up to 4 settings

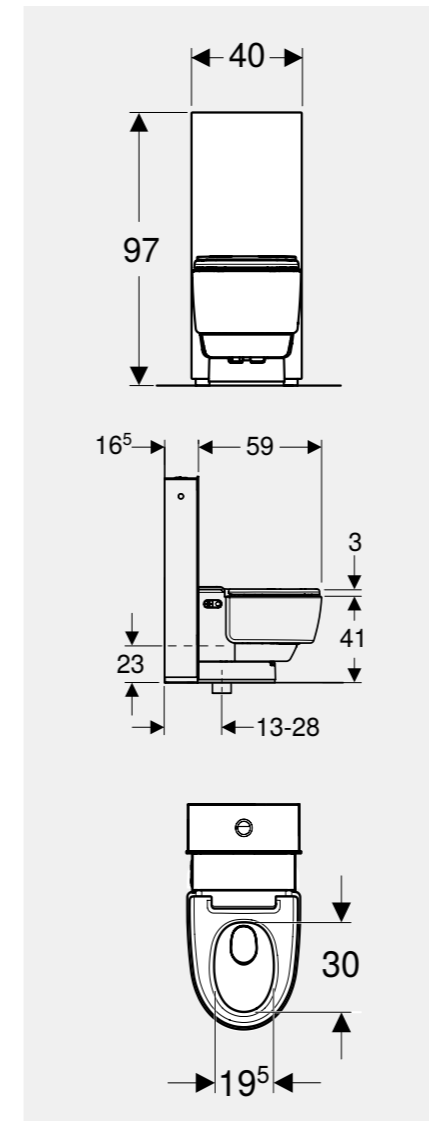
TECHNICAL INFORMATION

EASY TO INSTALL, EVEN IN WET ROOMS



Product code	146.242.11.1
Colour	White
Protection class	I
Protection degree	IPX4
Nominal voltage (V)	230 V AC
Mains frequency (Hz)	50 Hz
Power consumption (W)	2000 W
Power consumption standby (W)	≤ 0.5 W
Flow pressure (bar)	0.5–10 bar
Flow pressure (kPa)	50–1000 kPa
Operating temperature (°C)	5–40 °C
Water temperature, adjustment range (°C)	34–40 °C
Flush volume, factory setting (l)	6 and 4 l
Air volume flow rate, dryer (m³/h)	6 m³/h
Air volume flow rate, odour extraction (m³/h)	6 m³/h
Calculated flow rate (l/s)	0.03 l/s
Flow rate, anal shower (l/min)	1.1–2.0 l/min
Minimum flow pressure for calculated flow rate (bar)	0.5 bar
Flow rate, lady shower (l/min)	0.4–0.7 l/min
Minimum flow pressure for calculated flow rate (kPa)	50 kPa
Washing time per activation	30–50 s
Maximum load WC seat	30 stone

Geberit AquaClean Mera Care must be connected to a mains water supply



SPECIFICATION SHEET

GEBERIT AQUACLEAN MERA CARE
THE TOILET THAT CLEANS YOU WITH WATER

STANDARD SPECIFICATION:

- Strengthened seat
- Touchless remote control
- User remote control
- Lady wash
- Oscillating spray
- Weight limit of 30 stone
- Self-servicing function
- Height adjustable frame
- Compatible with end user app
- 5 year warranty (requires free registration)

5 YEAR WARRANTY
FREE 5 years parts and labour
when you register your product
geberit-aquaclean.co.uk/care



SEAT HEIGHT OPTION

Adjustable from 425mm and 560mm at installation

OPTIONAL EXTRAS

- Customer requirements
- Seat lid (not advisable for side transfers, hoisting or shower chairs)

→ For additional information or advice contact:



↑ TOUCH-FREE OPERATION

↑ PERSONALISED COMFORT

↑ TOTAL CONTROL

↑ ADJUSTABLE HEIGHT

→ For additional information or advice contact:

Geberit Sales Ltd. Geberit House, Edgehill Drive, Warwick, Warwickshire CV34 6NH.
T 01926 516800. E enquiries@geberit.co.uk
→ www.geberit-aquaclean.co.uk/care

GEBERIT AQUACLEAN MERA CARE

SPECIFICATION SHEET

Geberit Sales Ltd
Geberit House
Edgehill Drive
Warwick
CV34 6NH

T 0800 032 9629

www.geberit-aquaclean.co.uk/care

