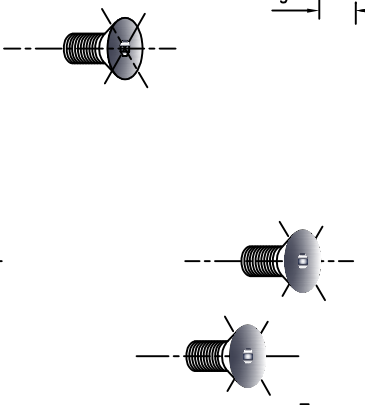
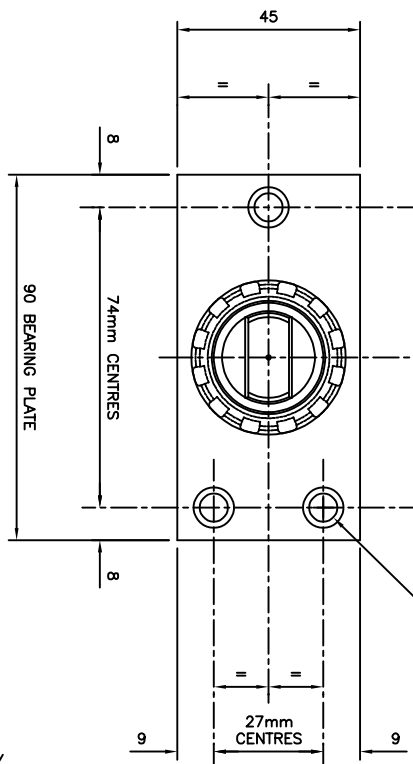
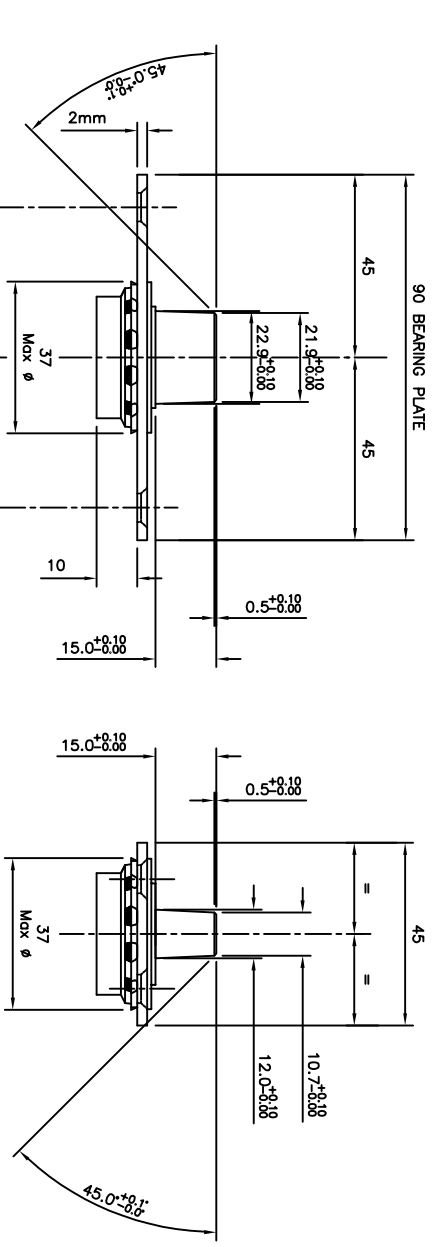
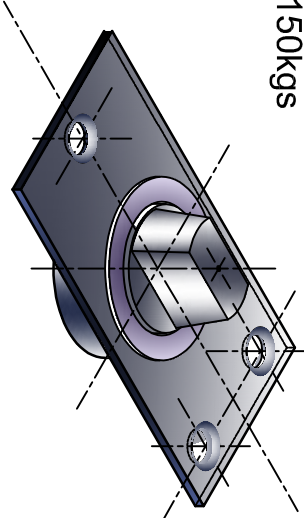


BOTTOM PIVOT '109621'



MAX DOOR LEAF WEIGHT - 150kgs



GENERAL TOLERANCES FOR LINEAR AND ANGULAR DIMENSIONS (DIN ISO 2768 T1)

LINEAR DIMENSIONS:

Permissible deviations in mm for ranges in nominal lengths	Tolerance class designation (description)		
	f (fine)	m (medium)	c (coarse)
0.5 up to 3	±0.05	±0.1	±0.2
over 3 up to 6	±0.05	±0.1	±0.3
over 6 up to 30	±0.1	±0.2	±0.5
over 30 up to 120	±0.15	±0.3	±0.8
over 120 up to 400	±0.2	±0.5	±1.2
over 400 up to 1000	±0.3	±0.8	±2.0
over 1000 up to 2000	±0.5	±1.2	±3.0
over 2000 up to 4000	-	±2.0	±4.0

EXTERNAL RADIUS AND CHAMFER HEIGHTS

Permissible deviations in mm for ranges in nominal lengths	Tolerance class designation (description)		
	f (fine)	m (middle)	c (coarse)
0.5 up to 3	±0.2	±0.2	±0.4
over 3 up to 6	±0.5	±0.5	±1.0
over 6	±1.0	±1.0	±2.0

ANGULAR DIMENSIONS

Permissible deviations in degrees and minutes for ranges in nominal lengths	Tolerance class designation (description)			
	f (fine)	m (middle)	c (coarse)	v (very coarse)
up to 10	±1°	±1°30'	±1°30'	±3°
over 10 up to 50	±0°30'	±0°30'	±1°	±2°
over 50 up to 120	±0°20'	±0°20'	±0°30'	±1°
over 120 up to 400	±0°10'	±0°15'	±0°15'	±0°30'
over 400	±0°5'	±0°5'	±0°10'	±0°20'

Revision	Drawn	Date	Reason for Change
B	PRC	23/12/22	Tolerances defined
A			

Drawing No. PIVOT-04

Title '109621' GEZE BOTTOM PIVOT FOR SWING DOORS

Drawn	Appd	Scale	Date
GH		NTS	OCT 08

GEZE UK Ltd
Blenheim Way
Fradley Park
Lichfield
Staffordshire. TEL 01543 443000
WS13 8SY FAX 01543 443001

www.geze.com

This drawing is the intellectual property of Geze and is not to be reproduced without the written consent of Geze. The information contained herein is for reference only and does not constitute an offer of any product. Geze is not responsible for any errors or omissions in this drawing. All dimensions are in millimeters unless otherwise stated. © 2022 Geze. All rights reserved. The product shown in this drawing is subject to change without notice.