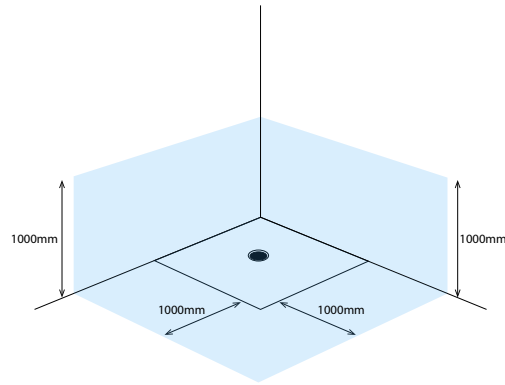


Please ensure all tradesman working on or around the installation have consulted these instructions and understand how to maintain the waterproofing integrity.

## Hydromat Guarantee

When installed correctly by a competent person & used for normal wetroom applications this tanking system has a life-of-tiling guarantee (if grout lines are maintained). No guarantee is offered where this is not the case.



## Overview & Notes

**Tanking** should be applied **at minimum** one meter up the walls & one meter into the room from the edge of the wetroom tray. Areas outside this main wet area that are exposed frequently to water also require tanking. The aim is to create one continuous tanked area down to the drain.

**Corners** are self adhesive on both sides with removable films, once stuck down, use the roller provided to roll over all areas before removing the top film.

**Joint Tape** is self adhesive on one side, use the roller provided to roll over all areas of the tape once stuck down.

**Hydromat sheet membrane** is self adhesive with a fleece top that provides maximum key for tile adhesive, once down roll over all areas for maximum adhesion.

**Butyl Sealant** does not cure, it remains permanently plastic.

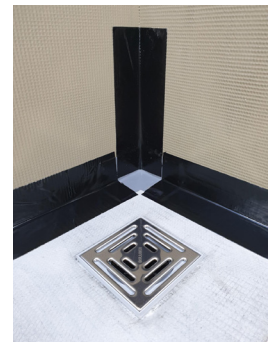
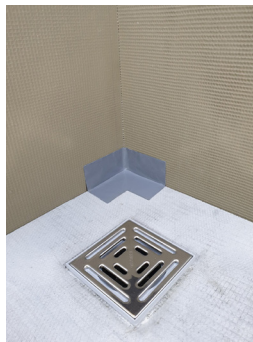
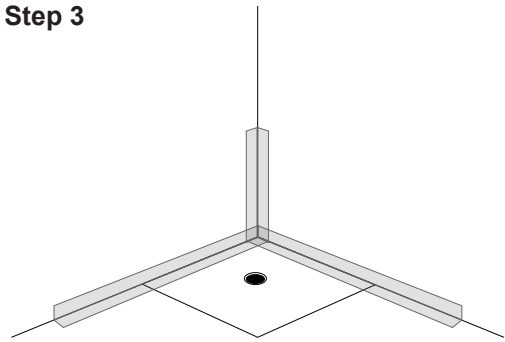
## Step 1

Check the substrate is sound, free of contaminants and remove any loose material. Make sure there are no significant irregularities, any gaps should be filled.

## Step 2

Prime all surfaces and allow to dry. Primer may be thinned as directed on the bottle.

## Step 3

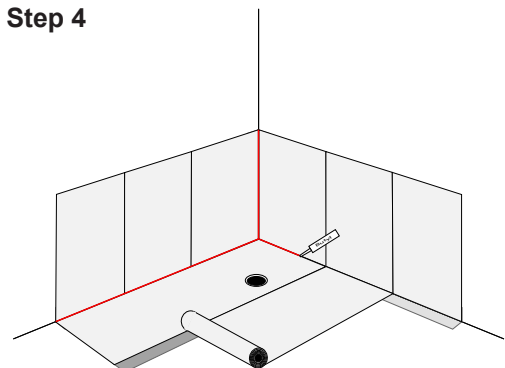


Install internal corner.

Install joint tape into the corner wall/wall joint, overlapping onto the internal corner down to the floor.

Install joint tape into the corner floor/wall joint, overlapping onto the internal corner 50mm. Do not overlap onto the vertical tape.

## Step 4

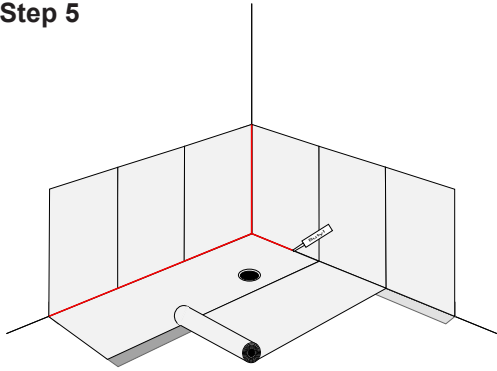


Starting from the corner, carefully apply the membrane to the wall, overlapping onto the joint tape by 70mm.

Use the 50mm overlap strip to overlap the next membrane onto, cover the entire 50mm.

Remove the overlap strip on the last run of membrane.

## Step 5



## Note

The floor drain that you are using will determine the interface method between the membrane and the drain, please see the “Common Drain & Membrane Interfaces” section, you must read this section before continuing and apply it during the next part of the installation.

Starting from the corner, carefully apply the membrane to the floor, overlapping onto the joint tape by 70mm. Use the 50mm overlap strip to overlap the next membrane onto, cover the entire 50mm. Remove the overlap strip on the last run of membrane. Apply the butyl sealant to the wall/wall and wall/floor gaps.

## Common Drain & Membrane Interfaces

### Drains with sheet membrane clamping systems

The Purus Minimax feature a clamping ring, mark centre of the drain when laying the membrane over it, cut a 107mm diameter hole. Press the membrane into the drain and install the clamping ring to secure it.

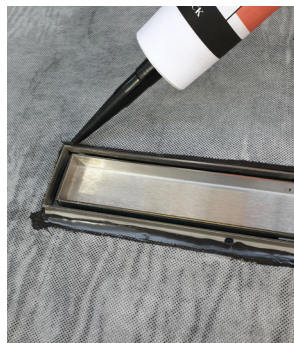
For other drains with differing clamping systems please refer to your specific drain instructions.



### Drains without sheet membrane clamping systems

For drains with upstands cut the membrane to fit around the upstand with a gap no greater than 5mm. Apply butyl sealant, ensure sealant is pushed well into the joint.

Drains without an upstand or clamping system may also be used by taking the membrane at least 30mm onto the drain body and applying sealant to the edge of the membrane.



## Commence tiling