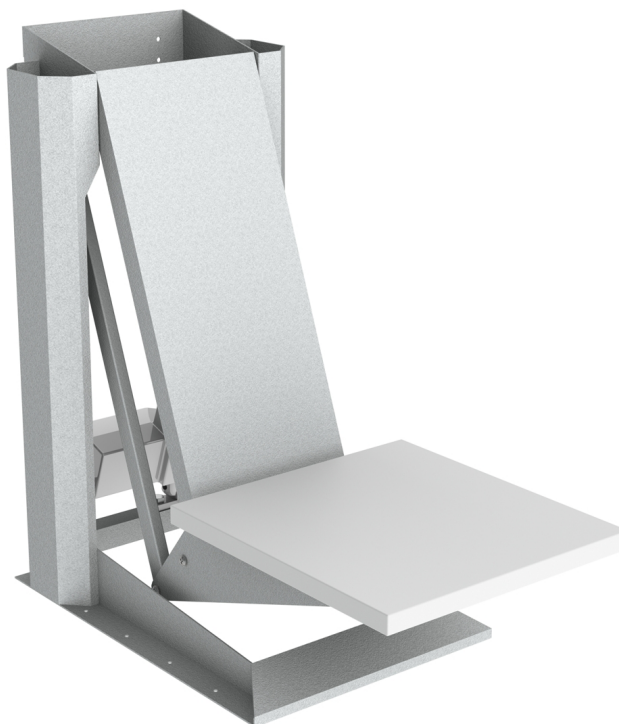


EN Installation instructions Unilift 870



EN Products

Height adjustable frames for kitchen appliance
UNILIFT 870

1. Mechanical construction
2. Delivery modules
3. Location of the electric connection
4. Installation in a cabinet
5. Location of the control button
6. Functional test

1. Mechanical construction

The Kitchen appliance lift 870 comprises a motor powered parallel-acting arm system that lifts and lowers the platform.

The lifting arrangement is fixed onto a framework. The curved lifting and lowering motion is achieved by an electrically powered screw jack, which is attached in the framework and in the arm system.



2. Delivery modules

1. Lift mechanism
2. Mains cable to the power unit
3. Platform
4. 10 off 6x30 mm wood screw, for mounting the lift mechanism in the cabinet
5. 6 off 4x20 mm wood screw, for mounting the platform on the lift mechanism
6. Hand-held control unit
7. Self-adhesive Velcro pads



3. Location of the electric connection

The Kitchen appliance lift must be connected to a separate mains switch, which is placed in the vicinity of the lift.

A double electric socket 230 V or 120 V (The voltage depends on which model that is delivered) shall be installed in the cabinet. (Also an electrically operated device, which is placed on the platform, is fed from the same socket).

Place the socket so that it does not disturb the motion of the Kitchen appliance lift.

Be careful with the location and fastening of the cables, so that they cannot be damaged.

* Power consumption 230 V = 345 W

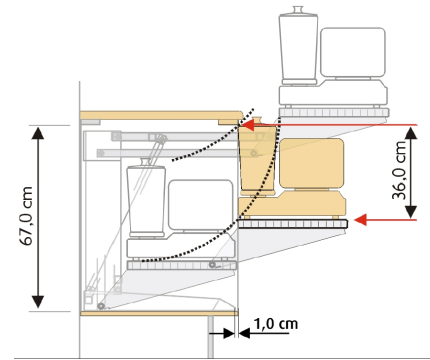
* Power consumption 120 V = 324 W

An authorized electrician must make the electric installation!

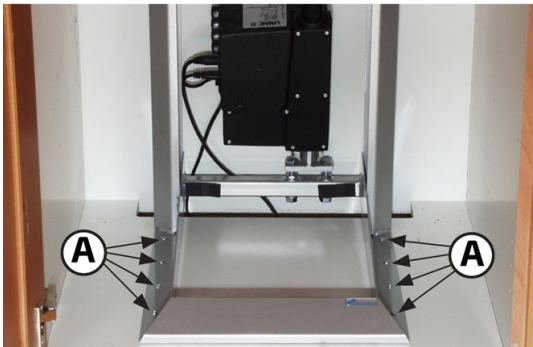
4. Installation in a cabinet

To consider before installation:

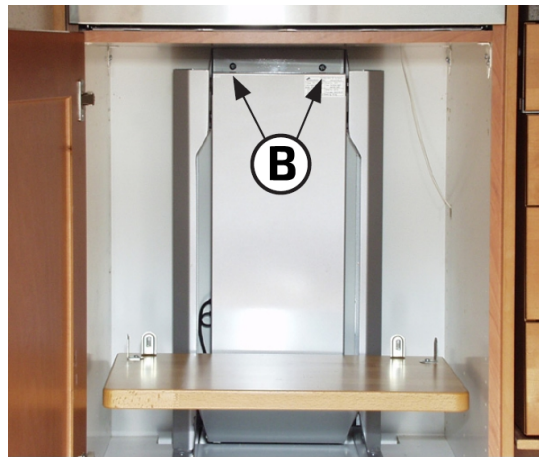
The dimensions of the cabinet must be suitable for the size of the Kitchen appliance lift as well as for the space required for the load. A standard cabinet with inside height 67 cm and depth minimum 56 cm is sufficient. The location of the lift is adapted for the size of the cabinet, to the size of the load and to desired height in the raised position. Be aware of that the maximum height of the load at the rear end of the platform is 36 cm when the Kitchen appliance lift is installed 1 cm from the cabinet front edge, for the standard cabinet described above. Other cabinet dimensions or other load location can allow higher or lower load.



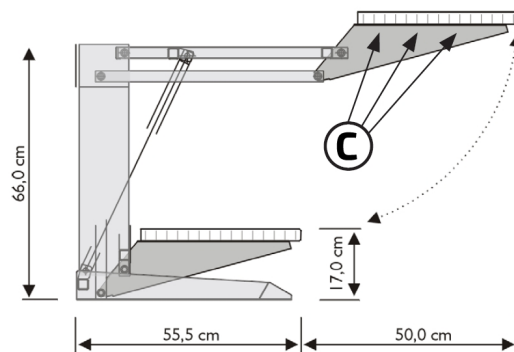
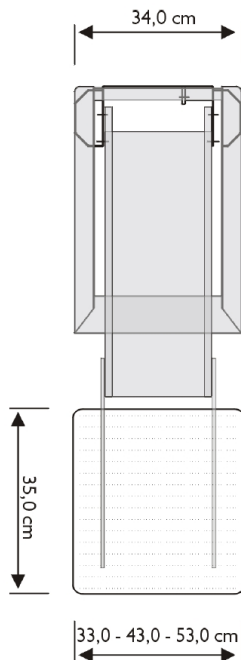
Competent persons must make the installation work!



Put the Kitchen appliance lift on the bottom of the cabinet, approx. 1 cm from the front edge of the cabinet. Fix screws in all 8 holes of the bottom frame (A).



Fix the upper part of the Kitchen appliance lift to the wall (B). Fill the space between the Kitchen appliance lift and the wall with a suitable wooden joist.



Connect to the electric socket and operate the lift to the top position.

Fix the platform onto the lift rack with six wood screws (C). (The platform has got markings for the location of the screws).

5. Location of the control button

A hand-held control button is delivered as standard, and this shall be placed in the cabinet or on the inside of the cabinet door. Thereby it is prevented that the Kitchen appliance lift is operated before the door has been opened.

There are two alternatives for parking the push button box:

Suspension hook:

When delivered the push button box is provided with a suspension hook.

Self-adhesive Velcro pads:

Dismantle the hook from the push button box and put the included self-adhesive pads on the backside of the control unit.

Check the position of the cable carefully, so that it cannot be jammed.

6. Functional test

After installation a complete functional test with full load shall be made:

Run the Kitchen appliance lift up and down all the way to respectively end position. Check that it moves freely, without hindrance and jarring sounds. Check that no cables or hoses are jammed.