



Operating Conditions

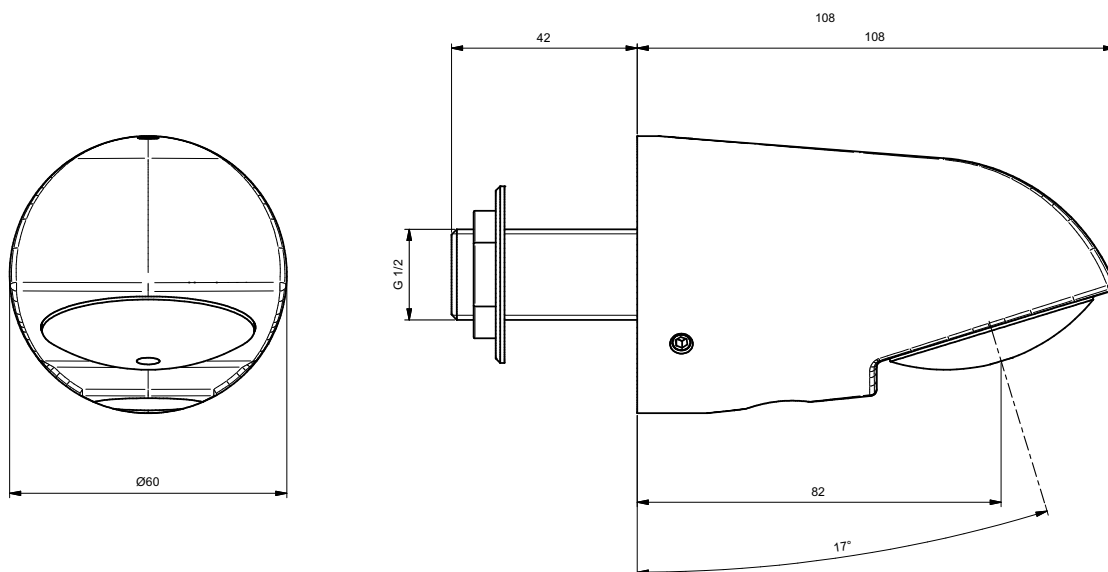
Max. Operating Pressure	10 bar
Min. Operating Pressure	0.2 bar
Max. Inlet Temperature	65°C
Max. Wall Thickness	24mm

Location

- For ease of servicing, always mount on a tiled wall or similar water proof material.
- Never tile up to the head.
- Always position the head to suit the tallest user.
- The shower, or any associated pipe work, must not be positioned where it will be subject to freezing conditions.

Installation Instructions: Concealed Pipe Work (Rear Entry)

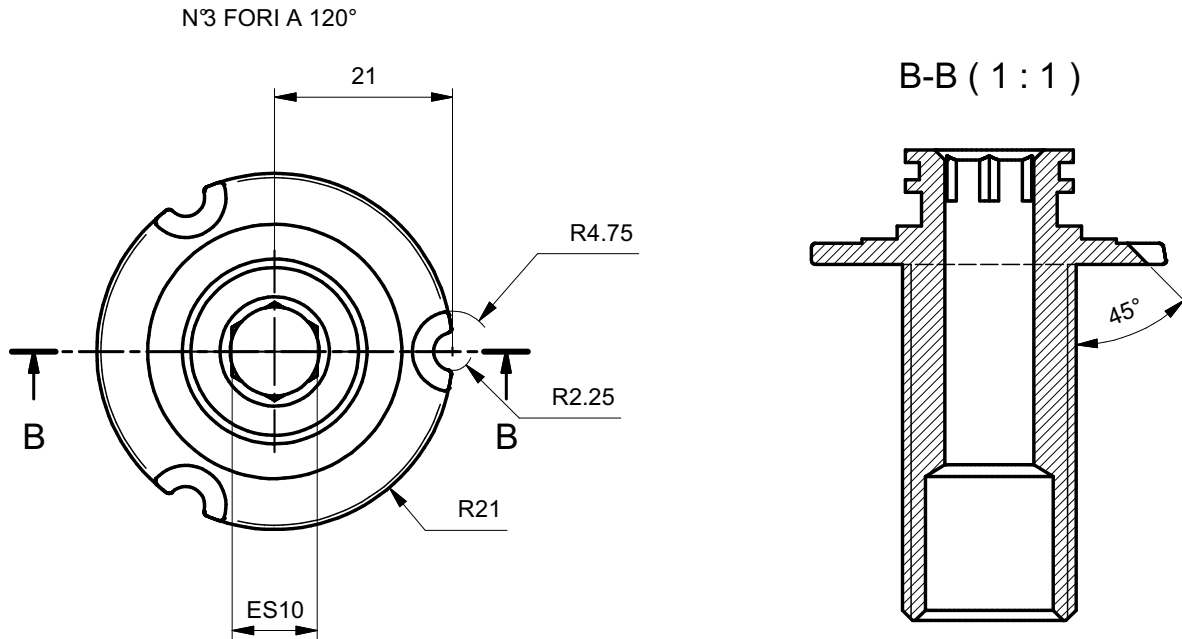
- Loosen the three grub screws that retain the brass wall plate fixing within the shower head during transit.
- Prior to starting, ensure that the threaded brass spigot supplied with the head is screwed into the back of the brass wall plate.
- Drill a hole large enough to accommodate this wall plate assembly and a compression nut.
- With the brass wall plate pushed against the surface it is to be fitted to, mark the two fixing holes.
- Remove the brass wall plate and then drill and plug the marked holes with appropriate fixings.
- Make a water tight connection between the brass threaded inlet and the supply pipe work to the shower head.
- Screw the wall plate in place. If required, flush system pipe work prior to fitting the chromed head.
- Present the chromed head to the brass wall plate, being careful not to damage the o ring seal as it is pushed flush to the wall.
- Position so the head is level and tighten all three grub screws to retain the head ensuring you do not overtighten them which will cause irreparable damage to the head.



Airfield Industrial Estate, Hixon, Stafford, ST18 0PF
T.01889 272180 F.01889 272181 E. sales@intatec.co.uk

VR996CP Vandal Resistant Shower Head

inta



Location

- For ease of servicing, always mount on a tiled wall or similar water proof material.
- Never tile up to the head.
- Always position the head to suit the tallest user.
- The shower, or any associated pipe work, must not be positioned where it will be subject to freezing conditions.

Installation Instructions: Exposed Pipe Work (Bottom Entry)

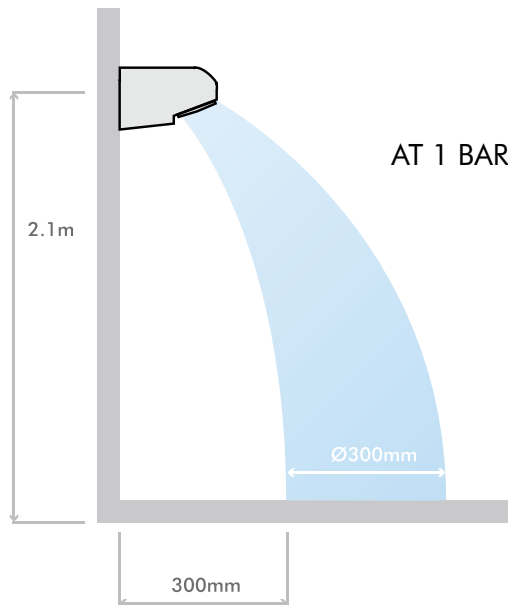
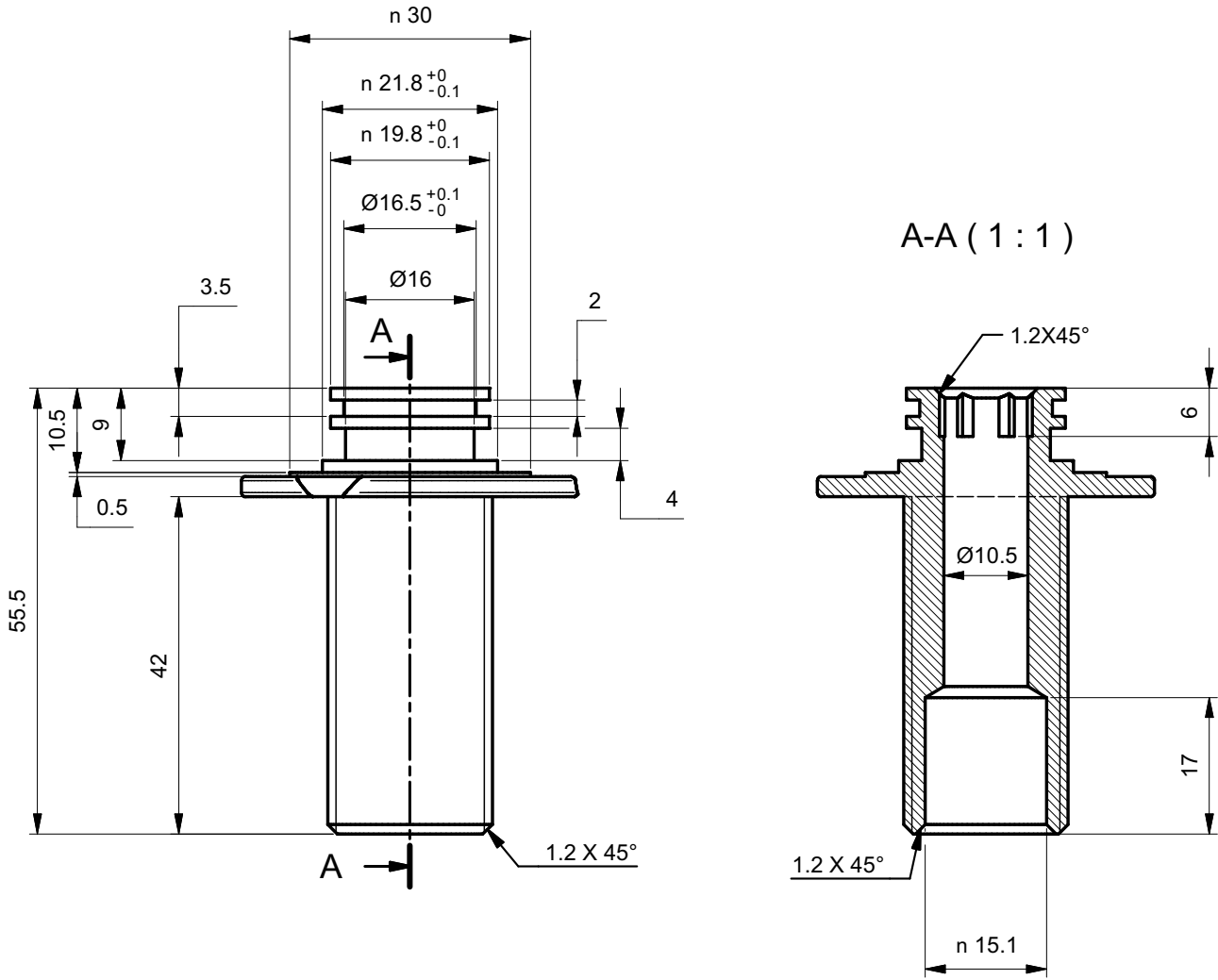
- Loosen the three grub screws that retain the brass wall plate fixing within the shower head during transit.
- Taking an appropriately sized alan key, remove the chrome blank from the underside of the shower head.
- Screw this blank into the threaded hole in the centre of the brass wall plate.
- Present the brass wall plate to the finished surface and mark the fixing holes.
- Drill and plug these using an appropriate fixing method suitable for the installation.
- Fix the brass wall plate to the wall.
- Using an appropriately sized alan key, screw the male coupler into the female threaded connection on the shower head you earlier removed the chrome blank from. This will be the connection point for your supply.
- Offer the head up to the brass wall plate and push it flush to the finished surface, ensuring that you do not damage the o ring seals.
- Once you are satisfied the head is level you can then tighten the three grub screws in the chrome head to hold it in place. Do not overtighten these as this will cause irreparable damage to the head.

Removing The Spray Plate

- Firstly ensure that the water supply is turned off
- Take a small flat head headed screwdriver and lift the cap from the centre of the spray plate revealing a allen key bolt.
- Unscrew this bolt which will then drop out releasing the spray plate.

Airfield Industrial Estate, Hixon, Stafford, ST18 0PF
T.01889 272180 F.01889 272181 E. sales@intatec.co.uk

VR996CP Vandal Resistant Shower Head



Airfield Industrial Estate, Hixon, Stafford, ST18 0PF
T.01889 272180 F.01889 272181 E. sales@intatec.co.uk

inta

Notes

To active your product warranty please visit
www.intatec.co.uk
and click on Product Registration

inta

Intatec Ltd

Airfield Industrial Estate
Hixon
Staffordshire
ST18 0PF

Tel: **01889 272 180**

Fax: **01889 272 181**

email: **sales@intatec.co.uk**

web: **www.intatec.co.uk**

E & O.E