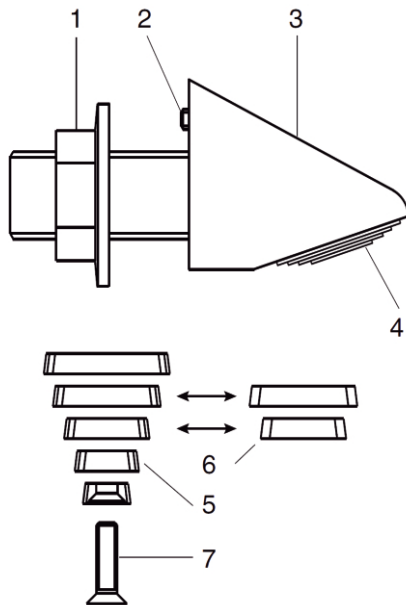


VR992CP Vandal Resistant Shower Head



Components

1 Plastic backing nut	2 Socket set screw
3 Body	4 Spray head
5 5 splined rings	6 2 unsplined rings
7 Counter sunk cap screw	

Operating Conditions

Max. Operating Pressure	10 bar
Min. Operating Pressure	0.2 bar
Max. Inlet Temperature	65°C
Max. Wall Thickness	24mm

Location

For ease of servicing always mount on a tiled wall or similar water proof surface, never tile up to the shower head.

Choose the position of the shower to suit the tallest user.

The shower must not be positioned where it will be subjected to freezing conditions

Installation Instructions

Drill a hole through the wall 24mm in diameter.

Fit the shower and secure by hand tightening the plastic backing nut.

Connect to the copper pipe, from the flow controller, using a 15mm x 1/2" bent swivel connector or compression nut and olive (items not supplied) and tighten to make a water tight joint.

Turn on the shower and check that the water spray is in the right position.

By adjusting the socket set screw the water spray can be directed towards the wall.

When the water spray is in the desired position finally tighten the plastic backing nut, do not over tighten.

Changing Spray Pattern

The spray pattern can be changed to suit.

Remove the spray head by unscrewing the counter sunk cap screw.

The spray head consists of 5 separate splined plastic rings, gently push from inner side to separate.

Use one or both of the 2 unsplined rings to reduce the number of spray orifice and re-assemble by gently pushing the rings together.

Refit to shower and secure with counter sunk cap screw.

Airfield Industrial Estate, Hixon, Stafford, ST18 0PF
T.01889 272180 F.01889 272181 E.sales@intatec.co.uk