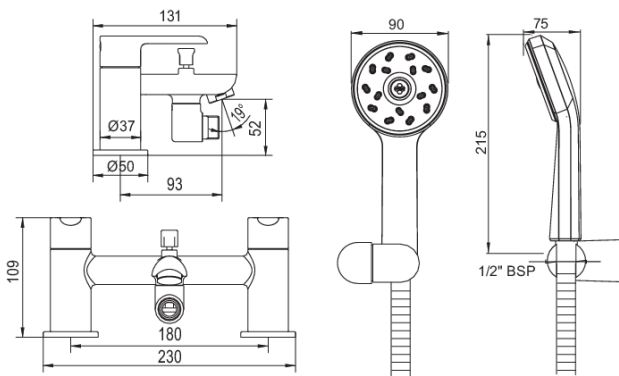


## KEA BATH SHOWER MIXER



**CONSTRUCTION:** Brass & ABS

**CARTRIDGE/VALVE TYPE:** Ceramic Disc

**SUPPLY:** Suitable for high pressure only

**INLET CONNECTIONS:** 3/4" BSP

**WORKING PRESSURES:** 0.5 - 5.0 bar

**OPERATION:** Separate Flow And Temperature Controls

- Includes Maku Satinjet handset, 1.5m hose & wall bracket
- Supplied with 9l/min flow regulator
- 1/4 turn ceramic handles ensure a smooth operation
- Supplied with metal backnuts
- Single mode handset
- Products which are easy to use by all the family

### KEBSMCPUK

#### Open Outlet Flow (Bar - l/min)

BAR	0.3	0.5	1.0	2.0	3.0	4.0	5.0
<b>SPOUT FLOW</b>	16.8	22	31	45	47		
<b>HANSET FLOW</b>	4.8	5.6	9	9	9	9	9

### Chrome



1511011



Please Note: Flow rate will be dictated by installation configurations.  
Please ensure to check the appropriate flow restrictor information if applicable.  
\*Please refer to website for full warranty details.