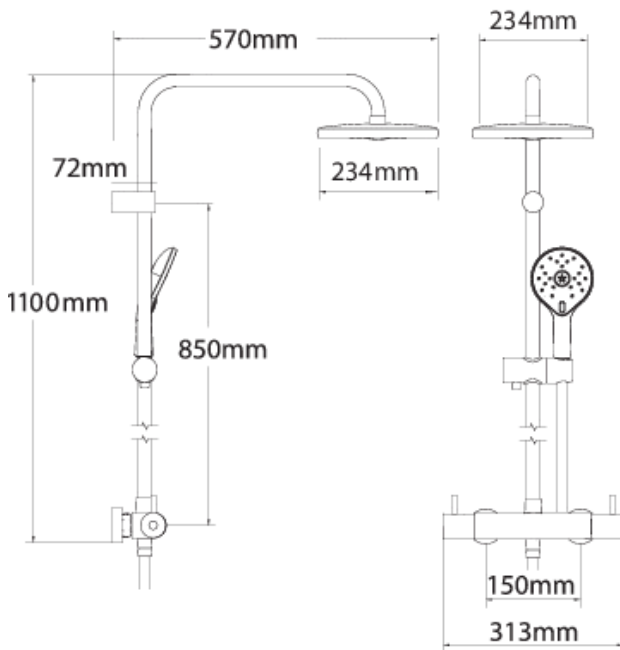


KAHA COOL TO TOUCH BAR SHOWER WITH DIVERTER



CONSTRUCTION: Brass & ABS

CARTRIDGE/VALVE TYPE: Ceramic Disc

SUPPLY: Suitable for high pressure only

INLET CONNECTIONS: 15mm Compression

WORKING PRESSURES: 1.0 - 5.0 bar

OPERATION: Separate Flow And Temperature Controls

- Safe cool to touch body
- 38°C hot stop with override facility
- Includes easy fit connections
- Includes Satinjet overhead and Kaha Satinjet handset
- Two types of spray - Satinjet body shower or massage
- Riser height can be adjusted to suit your bathroom

KHCTADEF

Chrome

Open Outlet Flow (Bar - l/min)

| BAR | 0.3 | 0.5 | 1.0 | 2.0 | 3.0 | 4.0 | 5.0 |
|---------------|-----|-----|-----|-----|-----|-----|-----|
| HANDSET FLOW | | 9 | 9 | 9 | 9 | 9 | 9 |
| OVERHEAD FLOW | | | 9 | 9 | 9 | 9 | 9 |



2001710



2001317



Please Note: Flow rate will be dictated by installation configurations.
Please ensure to check the appropriate flow restrictor information if applicable.
*Please refer to website for full warranty details.

FREEPHONE: 0800 195 1602 | FAX ORDERS: 08444 068 690 | EMAIL: SALES@UK.METHVEN.COM

methven.com

THE INFORMATION ON THIS SPECIFICATION DOCUMENT WAS CORRECT AT THE DATE OF ISSUE. SOME VARIATION MAY OCCUR DUE TO THE MANUFACTURING TOLERANCES AND SITE SPECIFIC CONDITIONS.