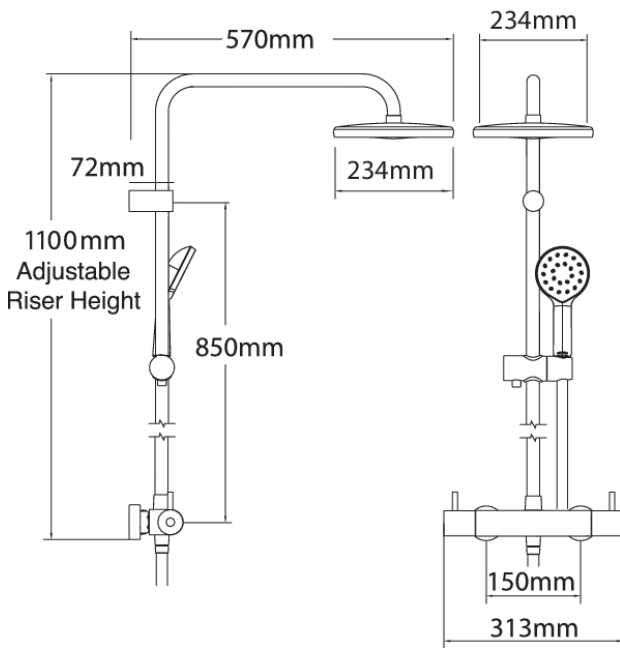


KIRI MK2 COOL TO TOUCH BAR SHOWER WITH DIVERTER



CONSTRUCTION: Brass & ABS
CARTRIDGE/VALVE TYPE: Thermostatic
SUPPLY: Suitable for high pressure only
INLET CONNECTIONS: 15mm Compression
WORKING PRESSURES: 1.0 - 5.0 bar
OPERATION: Separate Flow And Temperature Controls

- Safe cool to touch body
- 38°C temperature hot stop with override facility
- Integral diverter to Satinjet fixed head and handset
- Smooth easy clean 1.5m hose
- Riser height can be adjusted to suit your bathroom

KRCTADEF

Chrome

Open Outlet Flow (Bar - l/min)

BAR	0.3	0.5	1.0	2.0	3.0	4.0	5.0
HANDSET FLOW		9	9	9	9	9	9
OVERHEAD FLOW			9	9	9	9	9



2001710

2001317

2201736

Please Note: Flow rate will be dictated by installation configurations.
 Please ensure to check the appropriate flow restrictor information if applicable.
 *Please refer to website for full warranty details.

FREEPHONE: 0800 195 1602 | FAX ORDERS: 08444 068 690 | EMAIL: SALES@UK.METHVEN.COM

methven.com