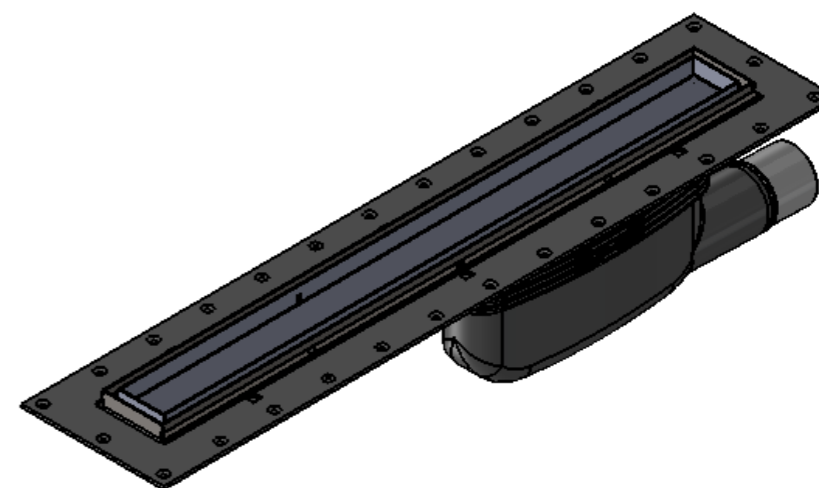
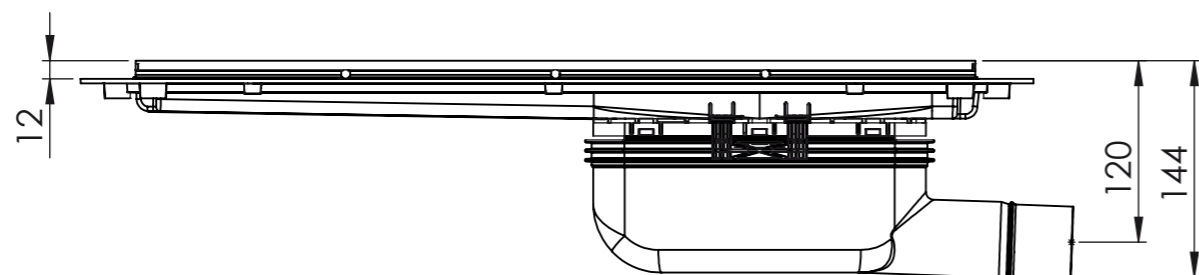
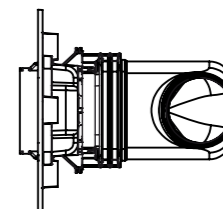
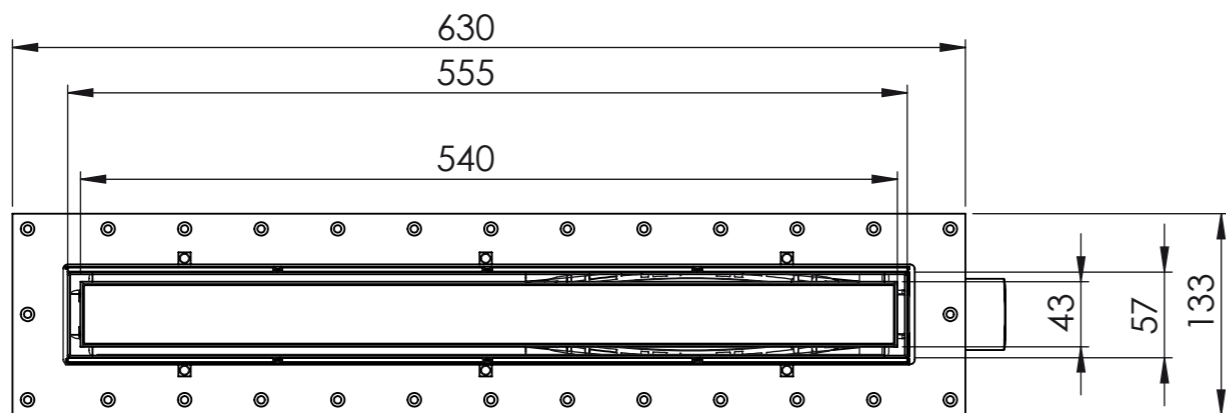


This document must not be copied without our written permission, and the contents thereof must not be imported to a third party nor be used for any unauthorized purpose. Contravention will be prosecuted. Purus AB



Denna handling får ej utan vårt medgivande kopieras. Den får ej heller delgivas annan eller ejlest obehörigen användas. Överträdelse härav beivras med stöd av gällande lag. Purus AB

Annotation		A3		This drawing replace		Replaced by		Date	
<b>PURUS</b>		Scale	Page	General tolerance. ISO 2768-1		Weight (gram)		Volume (cm <sup>3</sup> )	
Purus AB Södra Dragongatan 15 SE-271 39 YSTAD, SWEDEN Ph. +46 104144900 Fax +46 104144996 www.purus.se		1:5	1(1)						
Material		Surface treatment		Designer		Created date			
Name		Article no		JH		2012-04-26			
Purusline Living 600 Tile 50mm Side side outlet		52738						Edition	