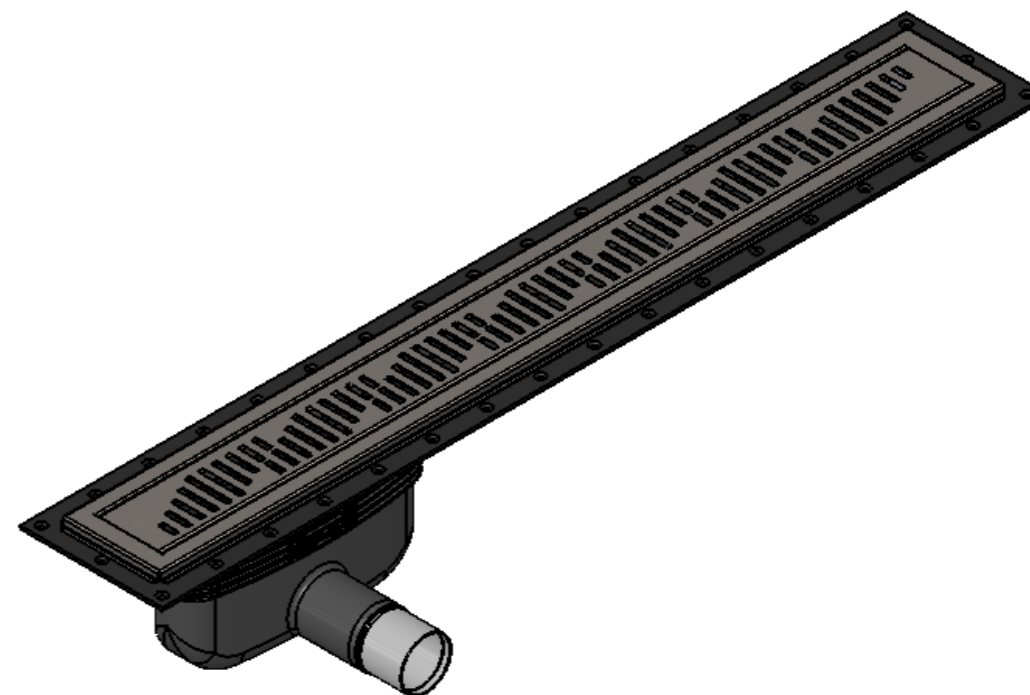
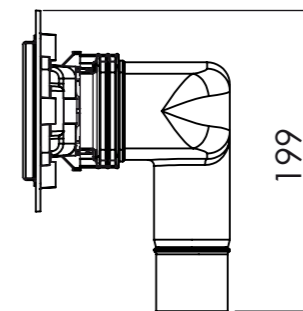
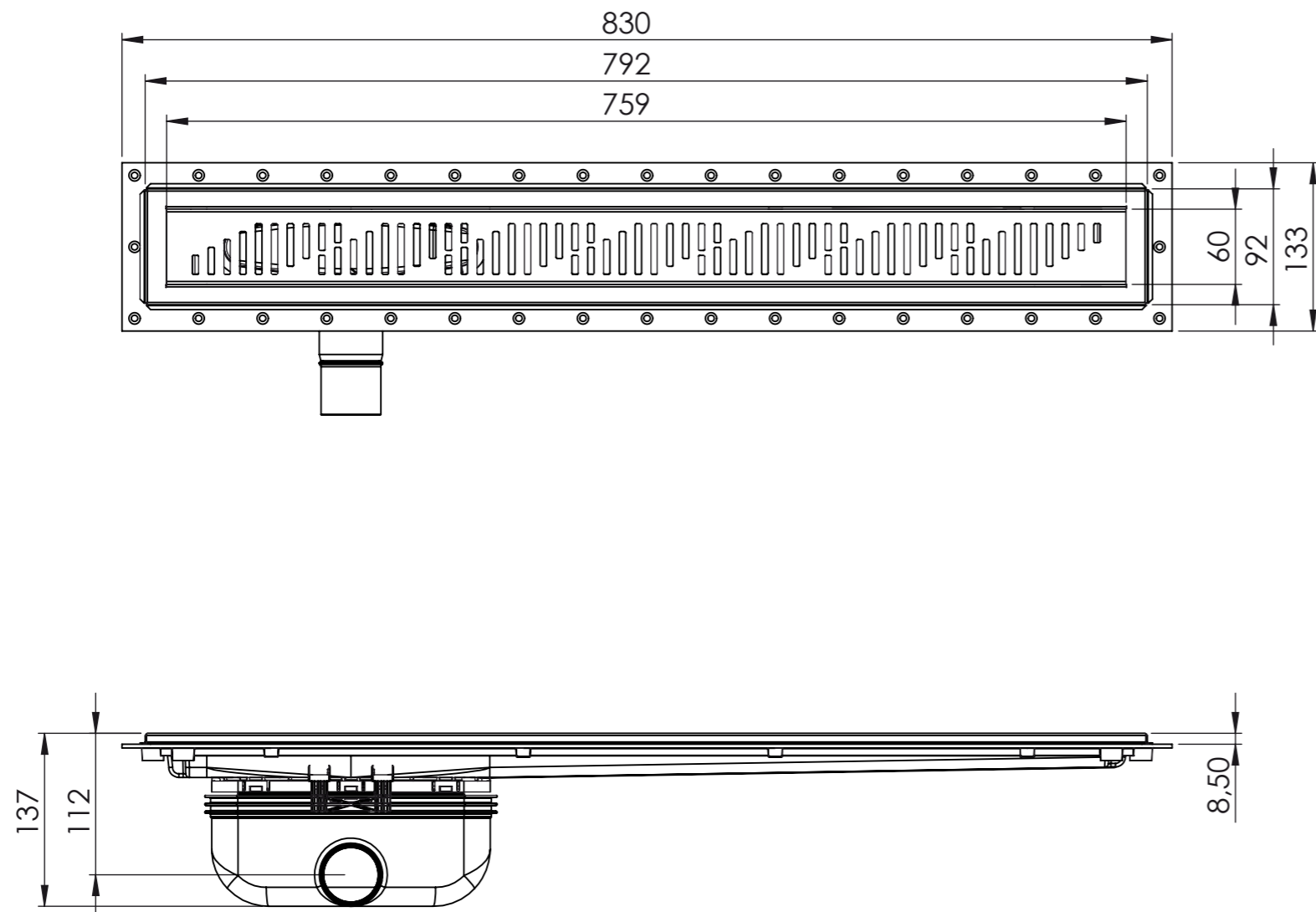


This document must not be copied without our written permission, and the contents thereof must not be imported to a third party nor be used for any unauthorized purpose. Contravention will be prosecuted. Purus AB

Denna handling får ej utan vårt medgivande kopieras. Den får ej heller delgivas annan eller ejlest obehörigen användas. Överträdelse härav beivras med stöd av gällande lag. Purus AB



Annotation		A3		This drawing replace		Replaced by		Date	
<b>PURUS</b>		Scale	Page	General tolerance: ISO 2768-1		Weight (gram)		Volume (cm <sup>3</sup> )	
Purus AB Södra Dragongatan 15 SE-271 39 YSTAD, SWEDEN Ph. +46 104144900 Fax +46 104144996 www.purus.se		1:5	1(1)					Approved by	
Material		Surface treatment		Designer		Created date			
Name		Article no		Date		Edition			
Purusline Living 800 Twist 50mm Side outlet		52746		2012-04-26					