

Product Overview

The Onyx Exclusif Ramp enhances an already stylish and reliable showering solution when used with the Onyx Exclusif tray.

The ramp provides access to the low 26mm threshold of the Onyx Exclusif Tray for both wheelchair users and users with limited mobility.

Features & Benefits

- + Supports up to 31st (200kg), providing reliable and safe access for wheelchair users
- + Manufactured from SMC (Sheet-Moulding Compound) for strength and durability
- + Textured slate surface provides a high level of slip resistance
- + Matches the appearance of the White Onyx Exclusif Shower Tray
- + Lightweight material, ensures a quick and easy installation
- + Hidden fixings with screw caps to improve aesthetics
- + Suitable for both corner and alcove installations, and can be trimmed on site
- + Lifetime warranty provides user peace of mind



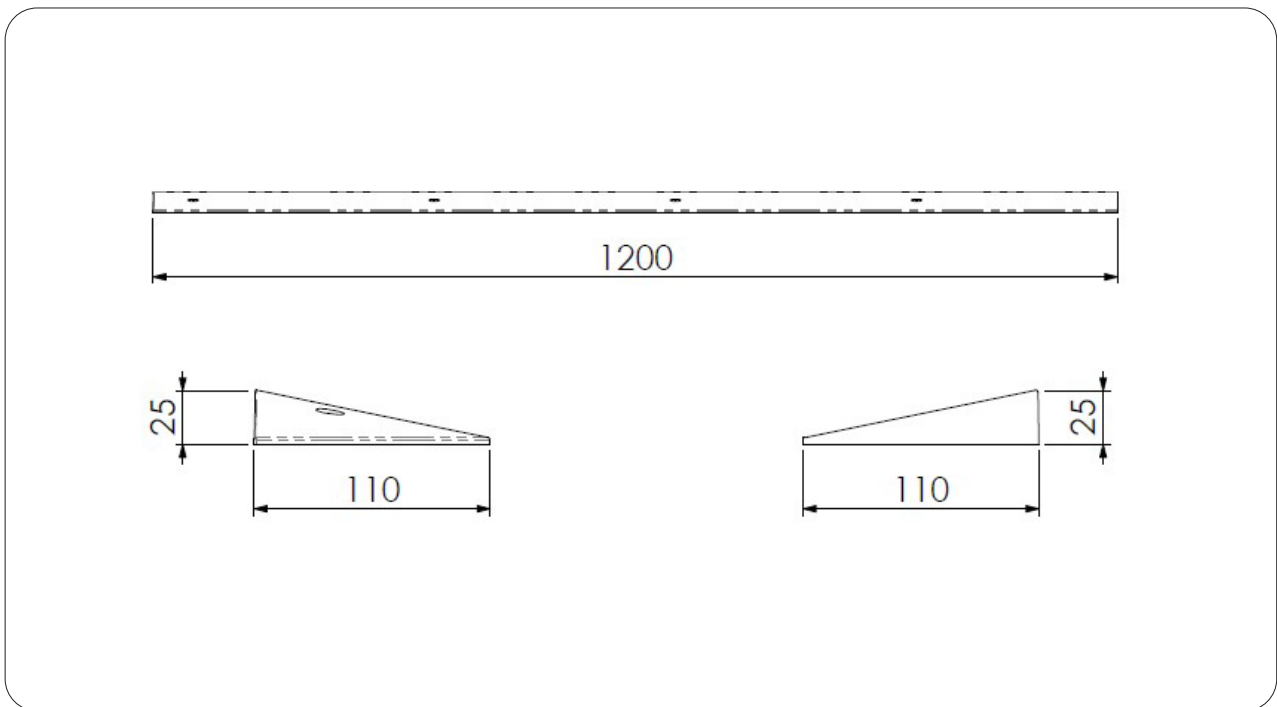
Warranty & Approvals



Technical Specification

Ramp Dimensions (mm)	1200 x 110 x 25 (L x W x H)
Corner Piece Dimensions (mm)	110 x 110 x 25 (L x W x H)
Materials	SMC (Sheet Moulding Compound)
Finish	Slate
Colour	White
Screw caps are included (screw fixings not included)	

Dimensions (mm)



Product Codes

Onyx Exclusif Corner Ramp (Quadrant Ramp and Screw Caps)	12843
Onyx Exclusif Alcove Ramp (1200mm Ramp and 5 Screw Caps)	12844