

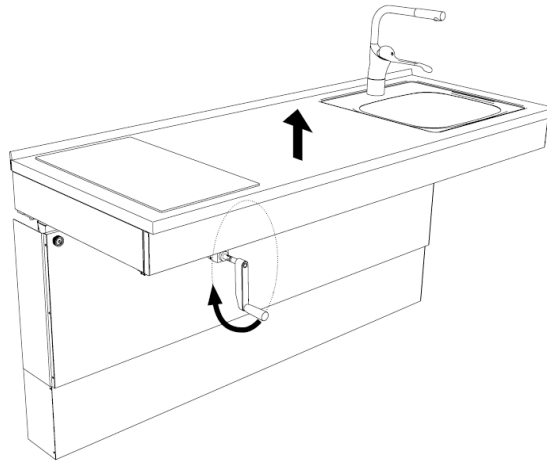
## **EN** Operating / Care instructions Manulift 6350

---

### **1. Operating instructions**

Manulift 6350 is a manual height adjustable work top for kitchen.  
The height adjustment is made by a crank.

1. Crank clockwise to raise the bench and counterclockwise to lower the bench.
2. When the desired height has been reached, the crank can be folded in.



### **2. Maintenance**

The product is maintenance-free. Greasing and other actions are made during the manufacturing for the lifetime of the product. From safety point of view however some components shall be inspected each year.

- Inspections, service and repair work shall be made by competent persons.
- Remove the objects from the worktop before maintenance and repair works are made.

### **3. Functional test**

- Check that no cables or hoses are jammed and that they are fixed.
- Check that the wall installation is intact.
- If the worktop slopes down in the front, adjustment can be made.

## 4. Cleaning

Clean with lukewarm water and a non-scratching detergent containing soap or similar. Use a soft cloth or similar. After cleaning the surfaces shall be dried to avoid lime deposits.

**Scratching detergents or tools e.g. steel wool may not be used.**  
**Consider that the product contains electrical components.**

## 5. Service & maintenance records

Order	Serial	Date
<b>Date</b>	<b>Date</b>	
<b>Sign</b>	<b>Sign</b>	
<b>Remarks</b>	<b>Remarks</b>	
<b>Date</b>	<b>Date</b>	
<b>Sign</b>	<b>Sign</b>	
<b>Remarks</b>	<b>Remarks</b>	