

Product Overview

The Ambulant pack provides all the products needed to install a Doc M compliant toilet within a cubicle environment. This includes a close-coupled WC with lever flush and 650mm projection, grab rails able to support up to 15.5st (100kg), and contrasting clothes hooks.

Pack Specification

- + Navlin Doc M raised-height, rimless toilet pan with 650mm projection
- + Water-saving, close-coupled cistern with lever flush and screw-down lid
- + Ergonomic toilet seat with soft-close hinges and seat lugs, without lid (available in blue or white)
- + 600mm straight grab rails with uPVC fluted finish (available in blue or white) x 4
- + 450mm straight grab rail with uPVC fluted finish (available in blue or white)
- + Blue clothes hook x 2



Guarantees & Approvals

- + WC conforms to BS EN 997 and current UK Water Supply (Water Fittings) Regulations
- + AKW are self-certifying and supplying approved flush fittings in line with current UK water regulations for compliance purposes
- + WRAS approved cistern fittings



Sanitaryware (ceramic), toilet seats, brassware, grab rails & accessories



Flush fittings



Cistern fittings



Features & Benefits

- + **Rimless toilet pan** offers improved hygiene levels by reducing the build-up of bacteria and making cleaning easier
- + **480mm raised-height toilet pan** (height with seat affixed) complies with Doc M guidelines
- + **Ergonomic toilet seat (without lid)** is shaped for comfort and easy cleaning, comes with seat lugs for stability, and soft-close hinges for safety
- + **Lever flush cistern** can be easily operated by hand, closed fist, or elbow, ideal for those with limited dexterity, with a **screw-down lid** for added security and safety in public facilities
- + **3/6 litre flush options** increase performance and water efficiency
- + Grab rails feature a **fluted uPVC finish** which offers superb grip even when wet, and can support loads of up to 15.5st (100kg) when installed on walls suitable for weight-loading
- + Blue clothes hooks for **high colour contrast**
- + **Components individually packaged** in recyclable materials to prevent damage during transit

Product Codes

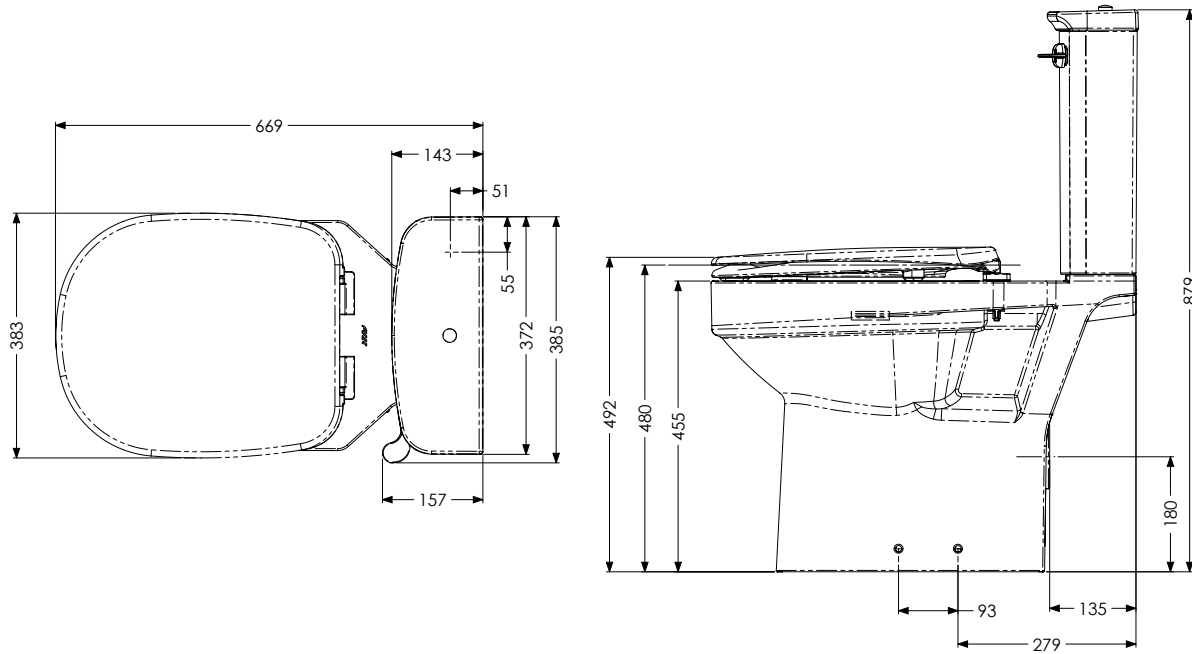
Pack 10 Close-Coupled Ambulant Doc M Pack

Fluted Blue	28318FBU
Fluted White	28318FWH

Related Products

Pack 1	Fully Compliant Close-Coupled Doc M Pack – Fluted Blue	28310FBU
Pack 2	Fully Compliant Low-Level Doc M Pack – Fluted Blue	28311FBU
Pack 3	Close-Coupled Std Doc M Pack	
	Fluted Blue	28312FBU
	Fluted White	28312FWH
	Fluted Dark Blue	28312FDB
	Fluted Mid-Grey	28312FMG
	Stainless White	28312SWH
	Stainless Dark Blue	28312SDB
	Stainless Mid-Grey	28312SMG
Pack 4	Low-Level Std Doc M Pack	
	Fluted Blue	28313FBU
	Fluted White	28313FWH
Pack 5	Close-Coupled Std Doc M Pack with TMV3 Mixer Tap	
	Fluted Blue	28314FBU
	Fluted White	28314FWH
	Fluted Dark Blue	28314FDB
	Fluted Mid-Grey	28314FMG
	Stainless White	28314SWH
	Stainless Dark Blue	28314SDB
	Stainless Mid-Grey	28314SMG
Pack 6	Low-Level Std Doc M Pack with TMV3 Mixer Tap	
	Fluted Blue	28315FBU
	Fluted White	28315FWH
Pack 7	Close-Coupled Contemporary Doc M Pack – Stainless Steel	28319SS
Pack 8	Low-Level Contemporary Doc M Pack – Stainless Steel	28316SS
Pack 9	Close-Coupled Peninsular Doc M Pack	
	Fluted Blue	28317FBU
	Fluted White	28317FWH

Dimensions



Navlin Doc M close-coupled WC with 650mm projection, lever flush, and ergonomic toilet seat with lid *

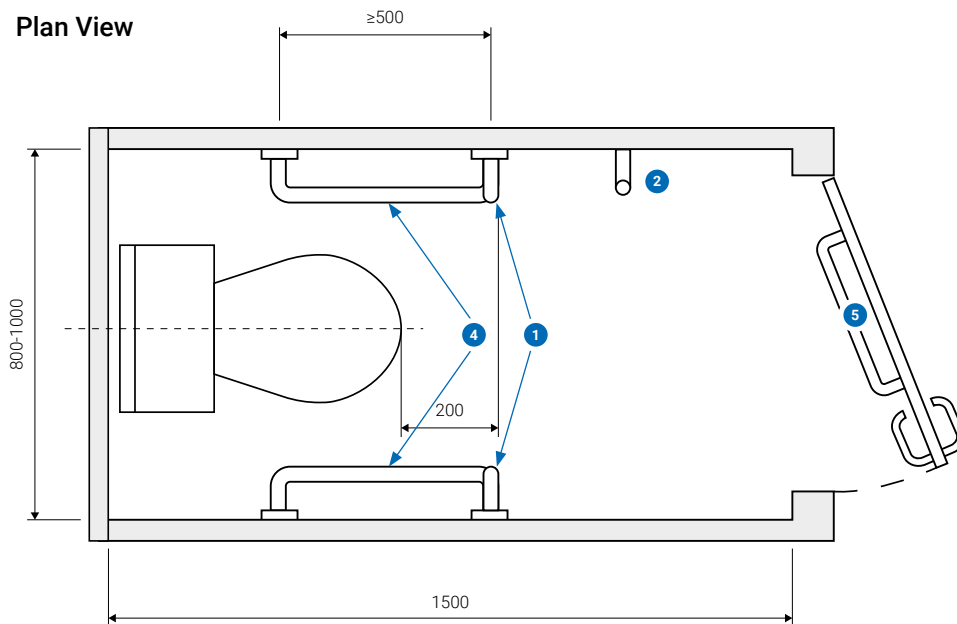
* Please note the toilet seat available with this pack does not come with a lid.

Doc M Installation

Doc M compliancy is dependent on the design of the space and placement of the products. This means that although you may have purchased a Doc M sanitaryware pack most relevant for the environment and user needs, unless this is installed correctly and follows guidance issued within Doc M Building Regulations, your washroom will **not** be fully compliant.

The below drawing illustrates how to correctly install this pack to create a compliant Doc M washroom.

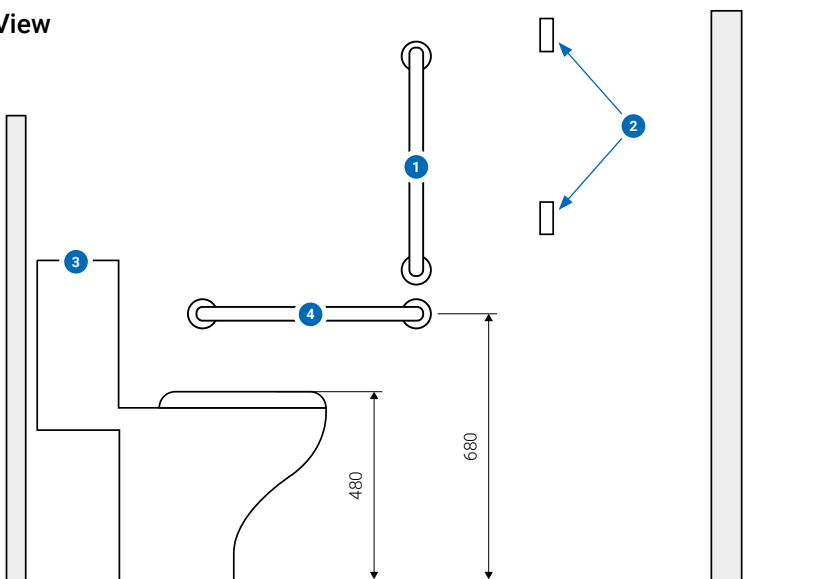
Plan View



Key

1. Vertical grab rails
2. Two clothes hooks, installed 1050mm and 1400mm above finished floor level
3. Flat-topped, close-coupled cistern, provides back rest and colostomy bag changing surface for standing users *
4. Horizontal grab rails
5. Horizontal pull rail on outward-opening door

Side View



* Where low-level cisterns are used, a rail with padded back rest should be provided, and a colostomy bag changing shelf installed 950mm above finished floor level.

Dimensions shown in millimetres