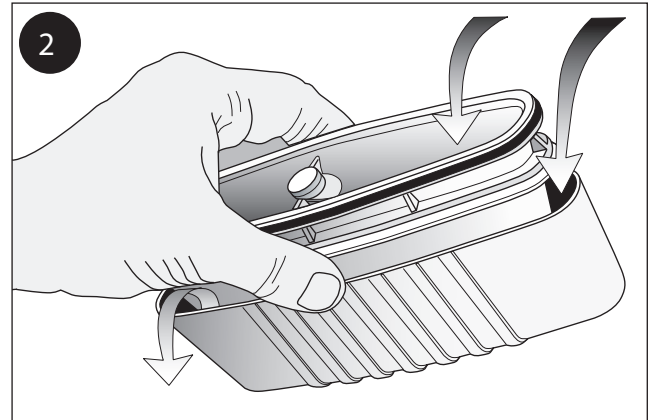
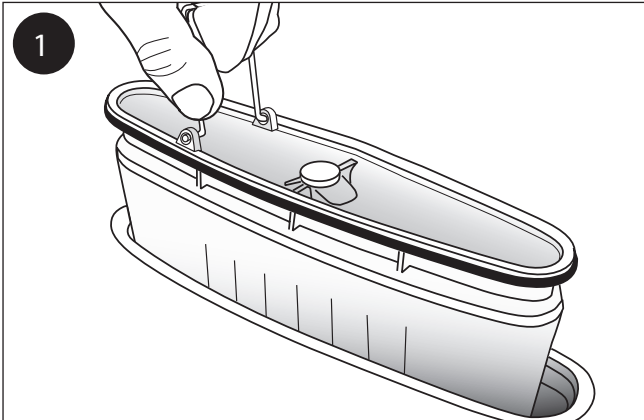


Cleaning and Maintenance

These Cleaning and Maintenance instructions must be handed to the client upon completion.



1. Lift out the NOOD water trap as above.
2. If necessary, rinse the NOOD water trap using water. Hold the NOOD water trap with the spring loaded body fully open whilst rinsed clean.

Use only water and, if required, a small brush to clean the NOOD. It is important that you do not use bleach, bleach-based, caustic cleaning products or hair dye products on or in the NOOD water trap. Remove the NOOD first.

If bleach, deblocker or any other cleaning product is to be used in the pipework, then the NOOD water trap must first be removed and bleach, deblocker or any other cleaning product poured directly into the pipework.

3. Replace the NOOD water trap with two thumbs at each short end.

For resealing the NOOD water trap, you will need to use a washing-up liquid around the top rubber gasket when pushing the NOOD back into position for ease of installation.

Make sure the gaskets are completely clean so the NOOD is watertight. Ensure when placed back that the gully is fully inserted so the gasket is watertight using two thumbs at each short end.

If you have a blockage in the waste pipe system, remove the NOOD before rectifying/cleaning.