
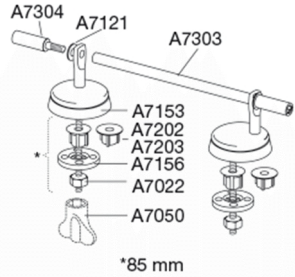
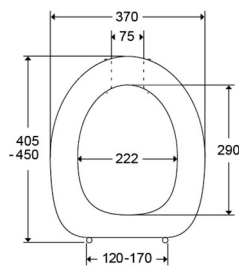




**Toilet seat Dania without cover**  
**With stabilising buffers and extra strong cross-bar hinge (D92).**

<b>Item number</b>	R27035-D92999 VVS: 615678035 EAN: 5708590315904 HMI: 108576 NBS: N13:300  Toilet seat, Dania, with stabilising buffers, without cover, incl. extra strong cross bar hinge with 100 mm bolt.	
<b>Colour</b>	Red (RAL 3003)	
<b>Description</b>	Toilet seat, Dania, with stabilising buffers, without cover, incl. extra strong cross bar hinge with 100 mm bolt.	
<b>Materials</b>	Seat: Thermoset plastic (urea)  Strap: Stainless steel V2A	
<b>Product capacity</b>	This product has been tested statically up to 375 kg. As the European standard for technical aids for disabled, BS/EN 12182:2012, requires a static test with safety factor 1.5, the nominal maximum load for this product is therefore 250 kg.	
<b>Weight</b>	2,257 kg	
<b>Gross weight</b>	2,657 kg	
<b>Weight per crate</b>	13,285 kg	
<b>Qty per crate</b>	5	
<b>Crates per pallet</b>	18	
<b>Qty per pallet</b>	90	





# PRESSALIT®

---

**Toilet seat Dania without cover  
With stabilising buffers and extra strong cross-bar hinge (D92).**

---

**Cleaning**

Use a mild soap solution to clean the toilet seat. Please take care that the seat and hinges are not left damp. For disinfecting the seat, e.g. ethanol 85% can be used. Make sure that the product is wiped down with a soft rag wrung out in clear water and dried off with a soft, dry cloth immediately after disinfection. *Avoid contact of the seat and hinges with abrasive, corrosive or chlorine-based cleaners, as these may cause damage or lead to flash rust. Therefore, when cleaning the bowl, make sure that the seat and cover are kept in an upright position until all cleaning agent has been flushed away.*

**Warranty**

Pressalit makes a commitment to remedy material and manufacturing defects for a period of five years from the invoicing date.



---

[www.pressalit.com](http://www.pressalit.com)

---

Pressalit A/S  
Pressalitvej 1  
DK-8680 Ry  
Tel.: +45 8788 8788  
Fax: +45 8788 8789  
E-mail: [pressalit@pressalit.com](mailto:pressalit@pressalit.com)

PRESSALIT®