
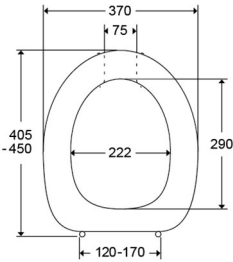




Toilet seat Dania with cover, 100 mm raised
With stabilising buffers and special hinges adapted to raised toilet seat. Incl. splash guard.

| | | |
|--------------------------|-------------------------------------------------------------------------------------------------------------------------------------------------------------------------------------------------------------------------------------------------|-------------------------------------------------------------------------------------|
| Item number | R34000 VVS:615687000 NRF:6191646 EAN:5708590070537 HMI: 1814 NBS:N13:300 Toilet seat, Dania, with stabilising buffers, w/cover, raised 100 mm, incl. splashguard With raised cross bar hinge |  |
| Colour | White | |
| Description | Toilet seat, Dania, with stabilising buffers, w/cover, raised 100 mm, incl. splashguard With raised cross bar hinge  | |
| Materials | Seat/cover: Thermoset plastic (urea) Strap: Stainless steel V2A Raiser: Nylon (PA) Special buffer: ABS-plastic | |
| Product capacity | This product has been tested statically up to 225 kg. As the European standard for technical aids for disabled, BS/EN 12182:2012, requires a static test with safety factor 1.5, the nominal maximum load for this product is therefore 150 kg. | |
| Weight | 4,5 kg | |
| Gross weight | 5,1 kg | |
| Weight per crate | 5,1 kg | |
| Qty per crate | 1 | |
| Crates per pallet | 24 | |





PRESSALIT®

**Toilet seat Dania with cover, 100 mm raised
With stabilising buffers and special hinges adapted to raised toilet
seat. Incl. splash guard.**

Qty per pallet

24

Cleaning

Use a mild soap solution to clean the toilet seat. Please take care that the seat and hinges are not left damp. For disinfecting the seat, e.g. ethanol 85% can be used. Make sure that the product is wiped down with a soft rag wrung out in clear water and dried off with a soft, dry cloth immediately after disinfection. *Avoid contact of the seat and hinges with abrasive, corrosive or chlorine-based cleaners, as these may cause damage or lead to flash rust. Therefore, when cleaning the bowl, make sure that the seat and cover are kept in an upright position until all cleaning agent has been flushed away.*

Warranty

Pressalit makes a commitment to remedy material and manufacturing defects for a period of five years from the invoicing date.



www.pressalit.com

Pressalit A/S
Pressalitvej 1
DK-8680 Ry
Tel.: +45 8788 8788
Fax: +45 8788 8789
E-mail: pressalit@pressalit.com

PRESSALIT®