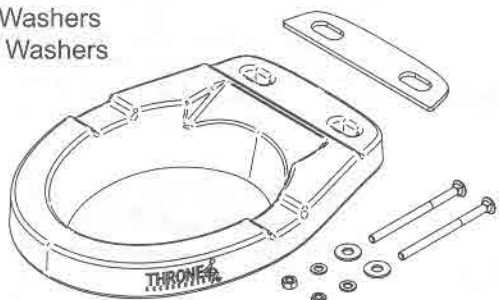


SP50 and SP80 Installation Instructions when used without Throne Rails

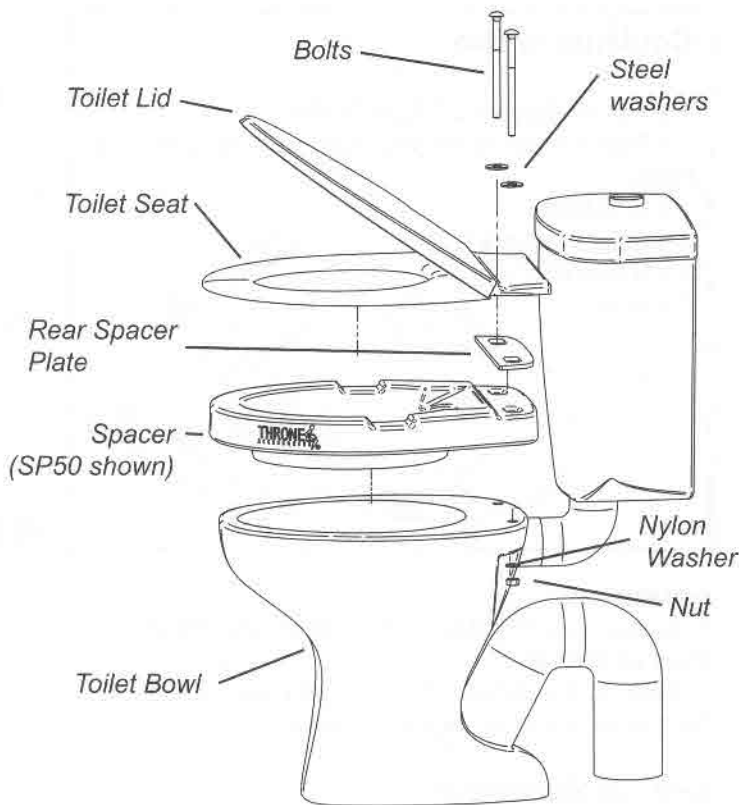
Contents of Box

- 1 x Throne Spacer (SP50 or SP80)
- 1 x Rear Spacer Plate (not required if using Throne Rails)
- 2 x M10 Bolts
- 2 x Steel Washers
- 2 x Nylon Washers
- 2 x Nuts



Installation

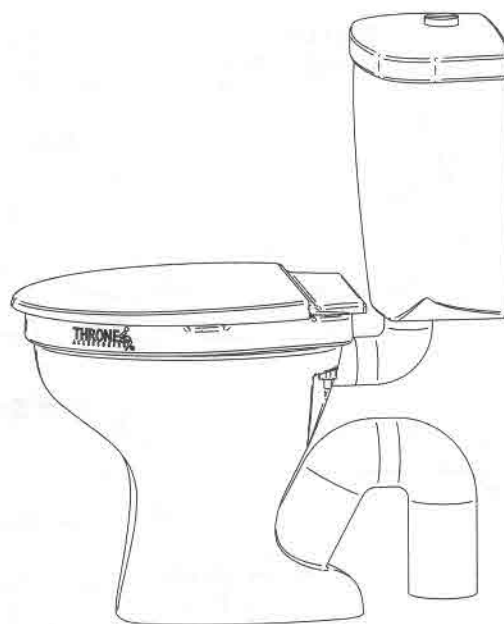
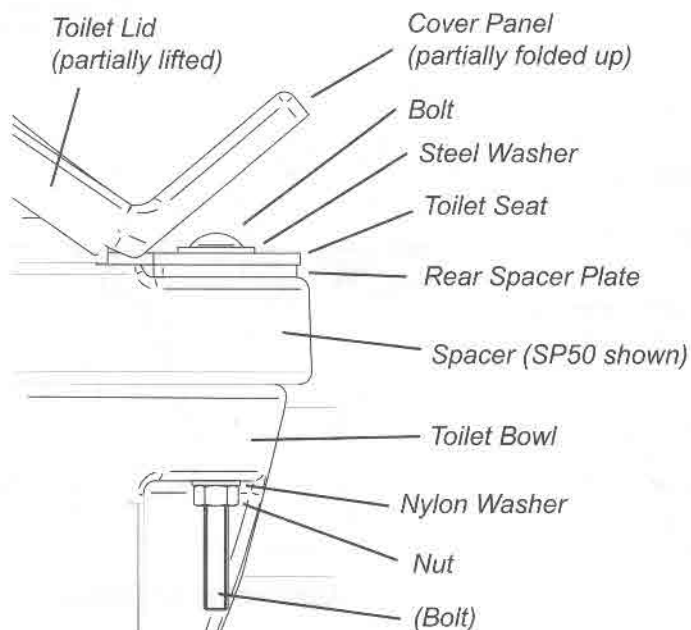
1. Spacer is to fit between Toilet Bowl and Toilet Seat and Lid
2. Remove the existing Toilet Seat and Lid
3. Fit Spacer onto Toilet Bowl along with Spacer Plate
4. Refit Toilet Seat and Lid and replace the existing bolts with the new longer bolts supplied with the Spacer
5. Tighten Bolts sufficiently so that the Spacer and Seat are firm on the Toilet Bowl. Do not overtighten!



Exploded View

Care and Maintenance

1. The Spacer can be cleaned with a solvent free detergent with a PH of 6-9, or 70% disinfectant solution.



Assembled on Toilet