

Datasheet - Ropox sink (30-45007)

TECHNICAL DATA

- Stainless steel sink with plug
- For inset installation
- Cut out dimension, inset 43 x 37 cm
- Radius 9.5cm in the corners
- Depth 13.5 cm
- Outside dimensions 46 x 40 cm
- Material thickness 0.8 mm
- Material EN 1.4301, AISI 304, SS2333



PRODUCT DESCRIPTION

- Stainless steel (AISI 304). Contains chrome and nickel. 100% reusable material.
- The combination of chrome and nickel forms a passive layer of protection against rust.
- Heat resistant at very high temperatures.
- Polished surfaces that are easy to clean, hygienic.

MAINTENANCE

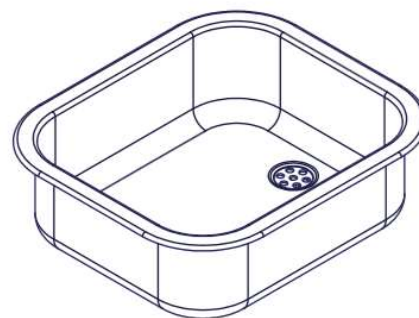
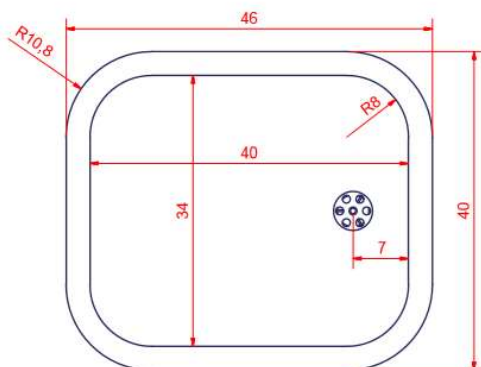
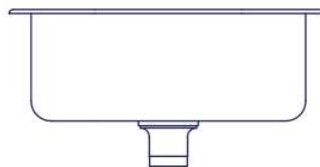
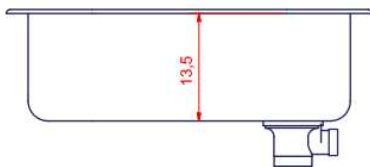
Made from first class quality stainless steel, that is very resistant towards stains, rust and corrosion. Discoloration on the stainless steel is typical caused by extreme "attacks" on the surface and not from the steel itself. If the spots cannot be removed with regular cleaning, they can be easily removed with a soft scourer sponge. (NOTE: NEVER use a steel wool sponge)

WARNINGS

Do not leave salt, vinegar, citric acid, fruit juices, mustard or chlorine on the surface for longer periods of time as it may cause corrosion/rust in the sink.

Do not use steel wool sponges in the sink as it dispatches small iron particles which will produce rust in the sink.

Stainless steel used for kitchen sinks are (no matter the brand) always "soft" in the surface. Therefore it will get scratched in use. These scratches will be less visible in time as the stainless steel sink will develop patina.



Alle mål er i cm
All dimensions in cm