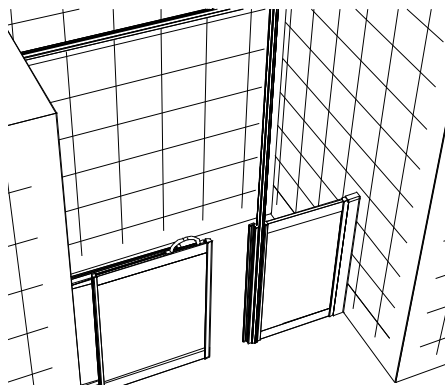
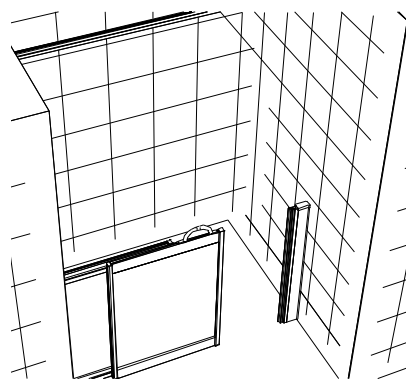


**CONTOUR**  
built-in independence

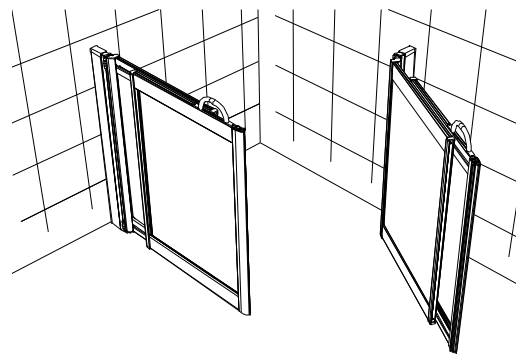
# Sliding Door Fitting Instructions



WF27



WF20



WF5

**PLEASE READ THESE INSTRUCTIONS PRIOR TO COMMENCING YOUR INSTALLATION  
THESE INSTRUCTIONS HAVE BEEN PREPARED AS AN INSTALLATION GUIDE AND ALSO AIM TO ASSIST  
IN THE INSTALLATION OF ANY SPECIAL CONFIGURATIONS NOT SHOWN ABOVE**

## Important

**! WE DO NOT APPROVE THE USE OF POWER SHOWERS WITH A SLIDING DOOR !**

**! IT IS ESSENTIAL THAT ALL JOINTS BETWEEN COMPENSATORS, WALLS, FRAME SECTIONS AND SHOWER TRAY / AREA (BOTH SIDES OF THE UNIT) ARE SEALED WITH A SILICONE SEALANT AND LEFT TO CURE FOR AT LEAST 24 HOURS BEFORE USE**

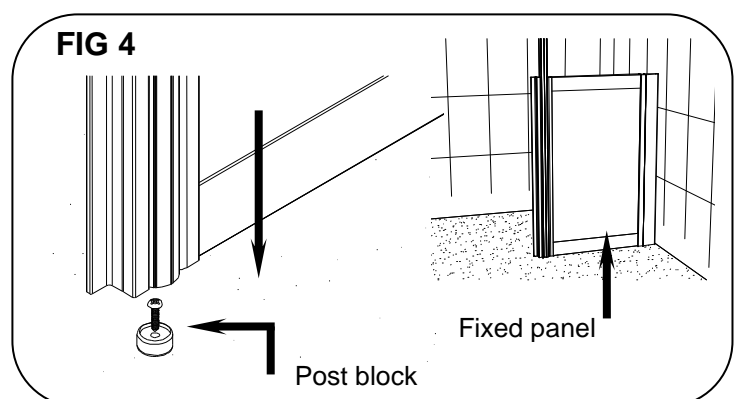
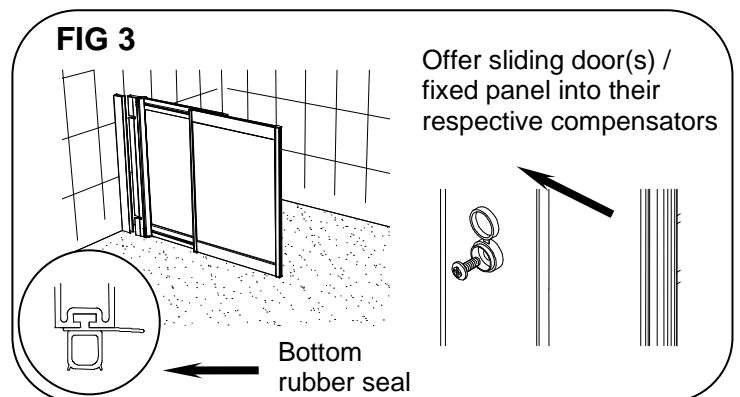
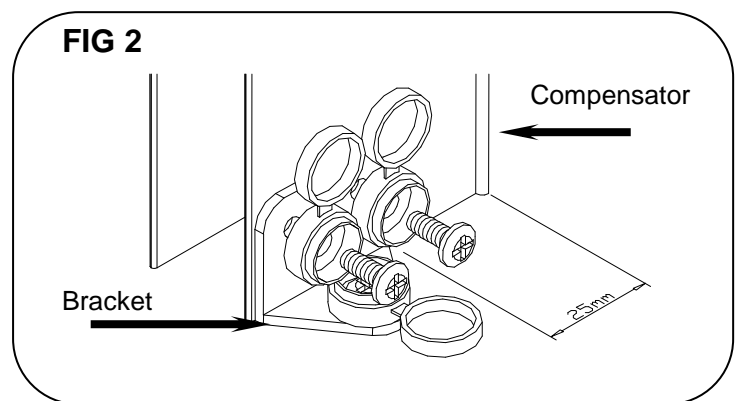
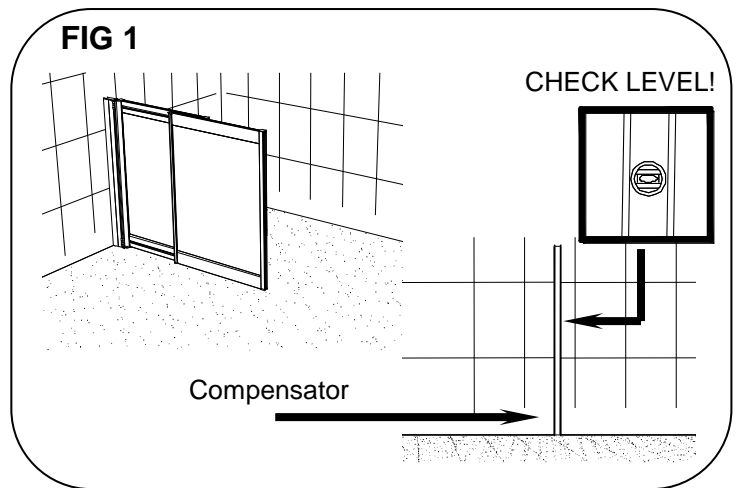
**! NO RESPONSIBILITY WILL BE ACCEPTED BY THE MANUFACTURER FOR WATER LEAKS, ETC., IF THIS HAS NOT BEEN CARRIED OUT PROPERLY**

ITEM	QUANTITY	DESCRIPTION
1	1	Sliding Door
2	1	Shower Curtain
3	1	Curtain Rail with Hooks and Gliders
4	1	Shower Enclosure Fixing Pack

The shower enclosure fixing pack is universal, and in some cases you may have some components left over.

# Sliding Door

1. Place compensators against the wall ensuring that they rest on the flat area of the tray or floor in the required position **FIG 1**
2. Mark off fixing holes on wall when level.
3. Drill holes in wall with a No10 masonry drill, insert wall plugs, and fix with No8 x 50mm pan head self tapping screws.  
**The bottom screw of each compensator requires an earth bonding connector attaching.**
4. Mark off holes from compensator fixing bracket onto the bottom of the door compensator(s) and pilot drill 3.0mm diameter holes into the compensator(s). **FIG 2**
5. Fix bracket to door compensator(s) with two No8 x 13mm pan head self tapping screws and caps. **FIG 2**
6. Mark off hole from compensator fixing bracket onto tray or floor, Pilot drill a 3.0mm diameter hole into tray. **FIG 2**
7. Fix bracket to tray or floor with a No8 x 20mm pan head self tapping screw and cap.
8. Offer sliding door(s) / fixed panel into their respective compensators. **FIG 3**  
**IF INSTALLING A WF27 WITH A VERTICAL CURTAIN RAIL SUPPORT POLE GO TO POINT 14**
9. Fully close doors so that magnetic profiles come together. Ensure they are parallel for the full height of the door or fixed panel.
10. Adjust compensators for out of plumb walls and to obtain the correct position of doors relative to the tray or shower area. When you are happy, mark the door(s) position using a pencil
11. **ENSURE THAT THE RUBBER SEAL ON THE BOTTOM OF THE DOOR IS SLIGHTLY COMPRESSED AGAINST THE TRAY OR FLOOR. TAKE CARE NOT TO APPLY TOO MUCH COMPRESSION, AS THIS MAY RESTRICT THE SLIDING OPERATION. FIG 3**
12. With the doors in their respective compensators, align with the pencil mark(s) you previously made.
13. If you are installing twin sliding doors, WF5, repeat the above operations as mentioned in steps 8 to 12, for the second door. Ensure that where the doors meet at the corner, the magnetic profiles fully close and are parallel for the full height of the door
14. **OPTION WF27, WITH A VERTICAL CURTAIN RAIL SUPPORT POLE:** Insert the fixed panel into its compensator, ensuring the slots engage with the adjusting screws. **FIG 3**

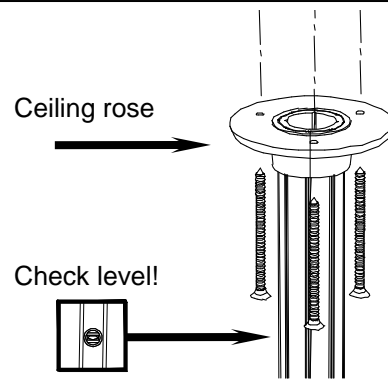


# Sliding Door

15. Mark around the bottom of the post to ascertain the location for the post block when the panel is in the correct position **FIG 4**
16. Find the centre point of the post block and pilot drill a 3mm hole. Fix block in position with No8 x 25mm pan head screw **FIG 4**
17. Place a small amount of silicone sealant around the post block and re-fit panel assemblies in position. Fully tighten compensator adjusting screws to secure panel in position.
18. Offer door(s) / fixed panel into wall compensator as described in steps 8 to 12, ensuring the magnetic seal is parallel where the doors meet. Tighten adjusting screws on both compensators
19. The Ceiling Rose for floor to ceiling posts has an external collar that a floor to ceiling post fits into. When fitting a floor to ceiling post, measure from the tray/floor to the ceiling. Now deduct 30mm off your measurement and cut the post to this size. **FIG 5**, See also **FIG 12**, steps **34 to 38**
20. Apply a small amount of silicone sealant to the inside of the ceiling rose collar prior to fitting in place to reduce play once the post is secured. The ceiling rose has a push on cover to hide all screws once fitted.
21. Place door handle against leading edge of door(s) on the top rail and pilot drill 3.3mm diameter holes into top of rail. **FIG 6** shows Option WF5 doors, **FIG 7** shows Option WF20 or WF27 doors
22. Secure door handle to door with No8 x 13mm countersunk self tapping screws. **FIG 6** or **FIG 7**
23. On completion of building the unit, fix locking screws and caps into both sides of the compensators. Pilot drill two holes to the inside & two holes to the outside of the compensator with a 3.0mm diameter drill & secure with the supplied screws.
24. Fit compensator end caps, apply a little silicone sealant to the under side of caps before fitting onto the top of the compensator. **FIG 8**
25. To fit curtain rail, firstly determine the height required. Fit the curtain rail at a height to suit your chosen curtains drop, Dimension 'A'. The bottom of the curtain **should be** just above the tray / floor surface. **FIG 9**
26. Mark off two holes onto wall through each curtain rail wall bracket.
27. Drill wall with a No10 masonry drill, insert wall plugs and fix with No8 x 50mm pan head self tapping screws and caps.

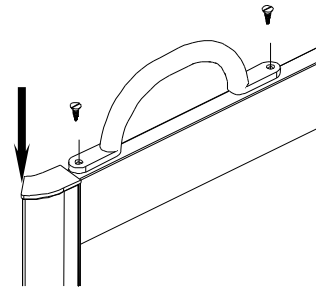
**PLEASE NOTE: CUT CURTAIN RAIL TO SIZE (IF REQUIRED) WITH A HACKSAW ANY ROUGH EDGES SHOULD BE FILED SMOOTH!**

**FIG 5**



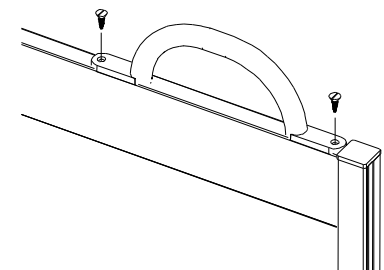
**FIG 6**

Leading door edge (where door magnets meet) for Option C doors

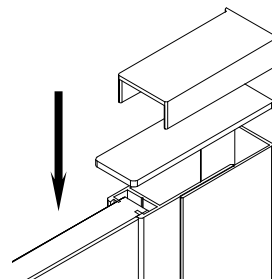


**FIG 7**

Leading door edge (where door meets fixed panel or wall compensator) for Option A & B doors

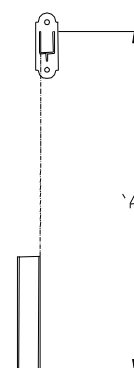


**FIG 8**



Apply a small amount of silicone sealant to each caps underside

**FIG 9**



Inside of shower area

**NOTE**

The bottom edge of the curtain must not touch the floor!

# Sliding Door

28. Fit the hooks and gliders to the underside of curtain rail and the rail connector to the top side. **FIG 10**  
**NOTE:**  
**Rail connector used with Option WF5 doors only**

29. Place curtain rail into wall brackets. **FIG 10**

30. Mark off holes onto curtain rail through wall bracket and pilot drill rail with a 3.0mm diameter drill.

31. Secure curtain rail into wall brackets with No8 x 13mm pan head self tapping screws and caps. **FIG 10**

32. Mark position for curtain rail ceiling rose and fix to ceiling using a suitable fixing. Cut drop rod to length **FIG 11**

33. Secure drop rod into ceiling rose and rail connector into the top side of the curtain rail by tightening their respective fastening screws in the ceiling rose and connector. **FIG 11**

34. **OPTION WF27 WITH VERTICAL CURTAIN RAIL SUPPORT POLE:** With the curtain rail in position, guide the post extension over the post spigot and secure in place with the supplied grubscrew. **FIG 12**

35. It may be necessary to trim the top of the post extension so that it finishes flush with the top of your curtain rail.

**IF FLOOR TO CEILING SEE FIG 5**  
**ANY ROUGH EDGES SHOULD BE FILED SMOOTH!**

36. Ensuring the post is straight, pilot drill through both the curtain rail and post using a 3.0mm drill.

37. Screw both together with a No8 x 38mm pan head screw and cap. **FIG 13**

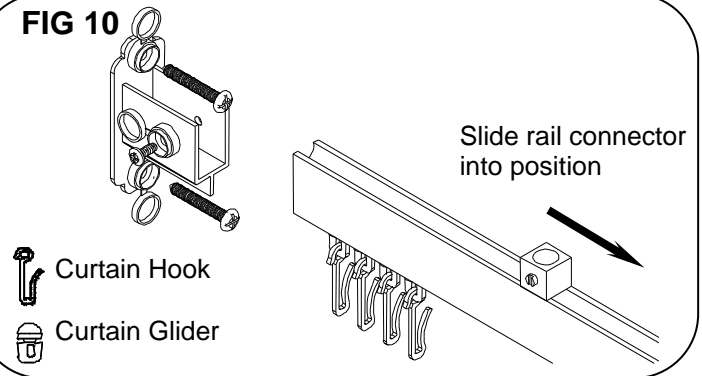
38. Make certain that the shaped plastic washer is fitted in between the post and the rail before fixing. Place the supplied post cap into the top of the post. **FIG 13**

39. Fit your shower curtain to the hooks and gliders on curtain rail

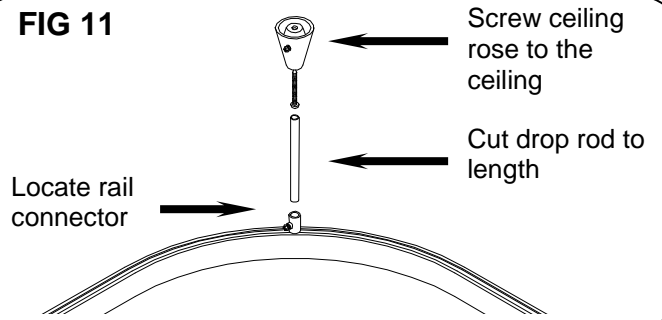
**It is essential all joints between compensators, walls, panel sections and the tray are sealed with a silicone sealant and left to cure for 24 hours!**

**Your shower area will then be ready for use.**

**FIG 10**

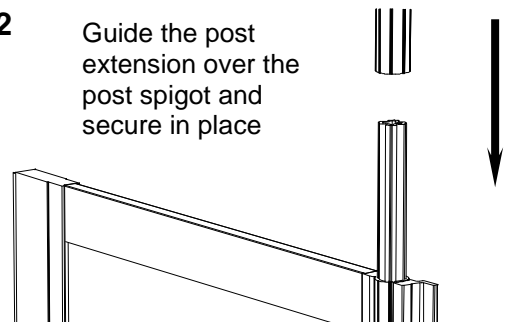


**FIG 11**



**FIG 12**

Guide the post extension over the post spigot and secure in place



**FIG 13**

