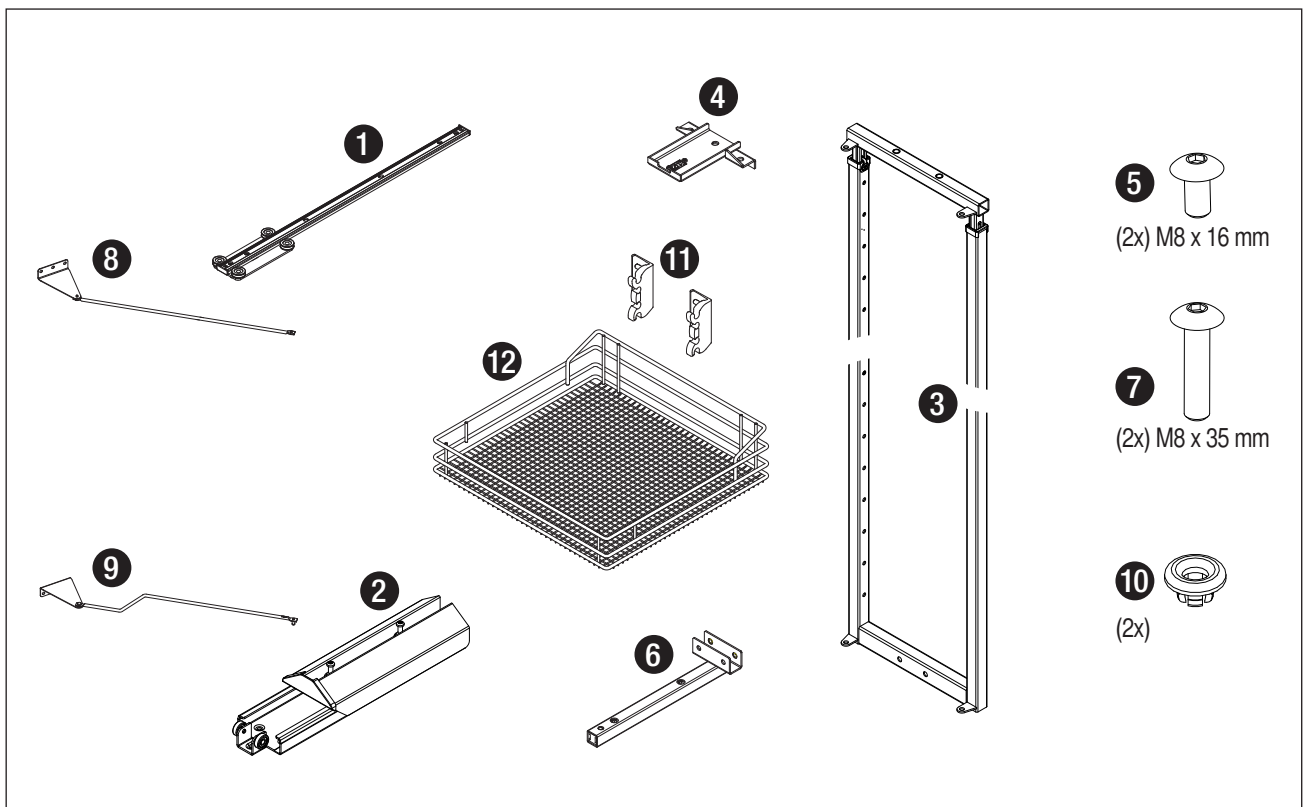
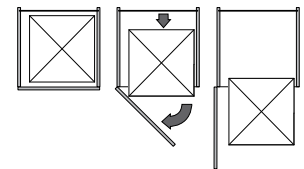
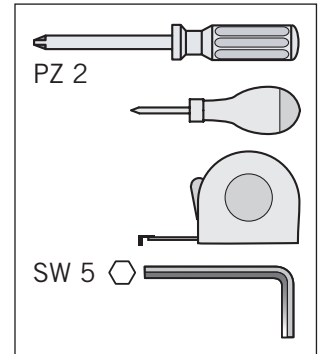
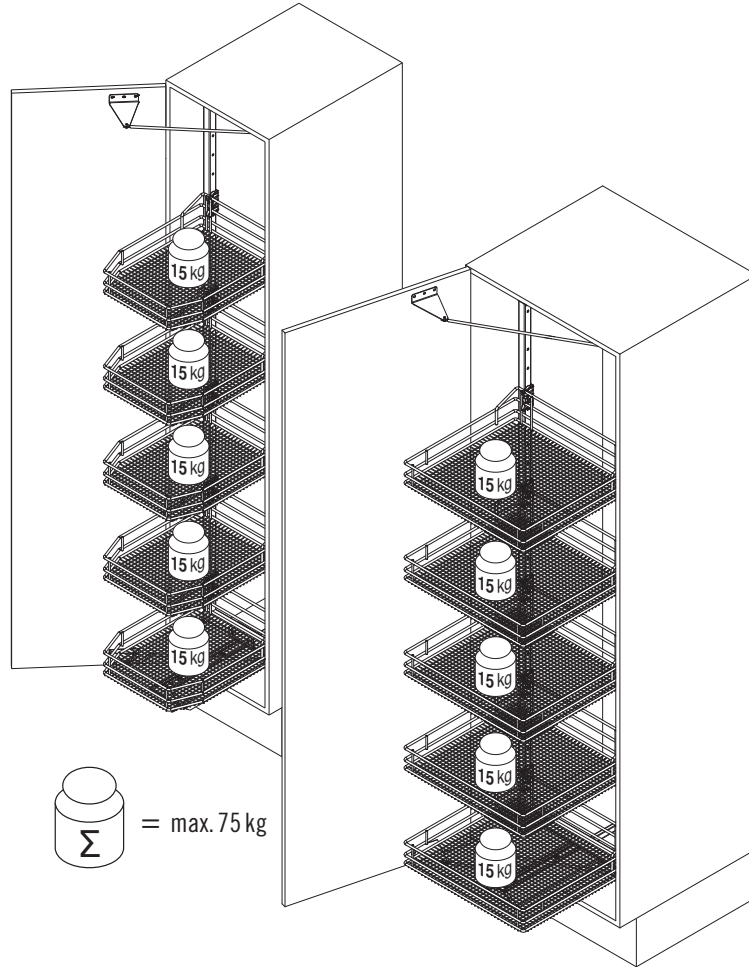
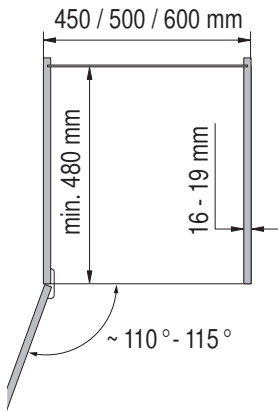
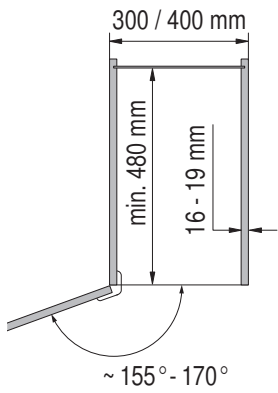
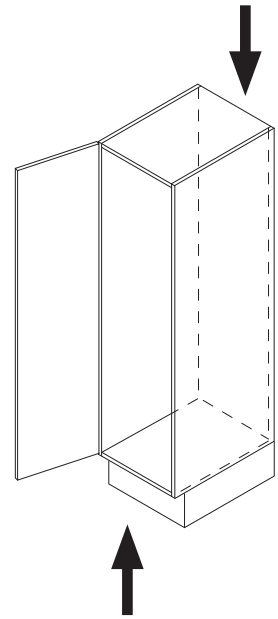
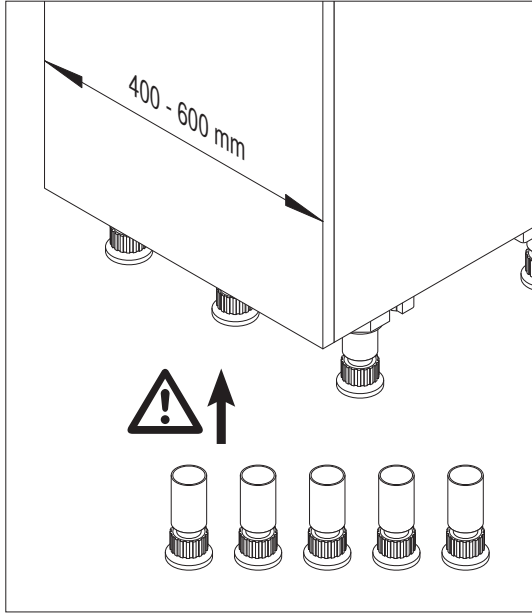
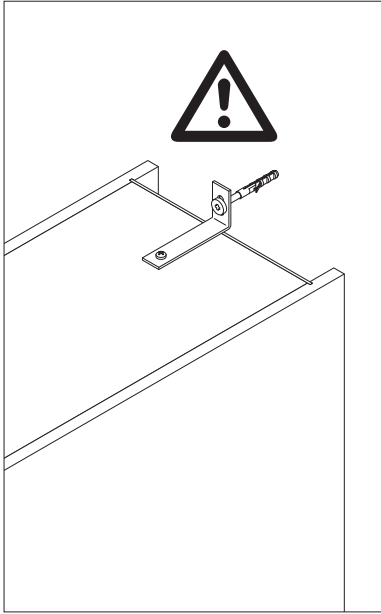


09 / 2017



VS TAL Gate / N

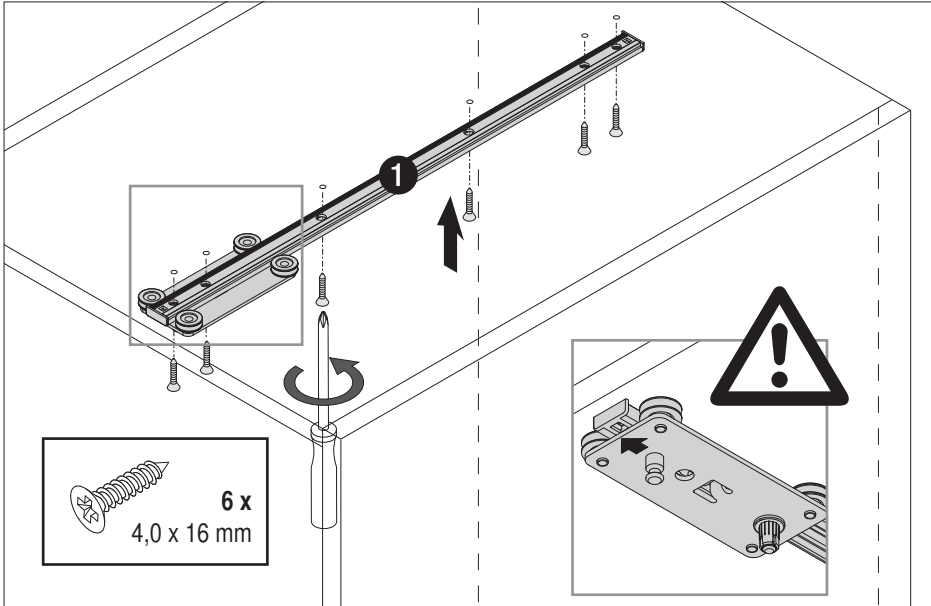




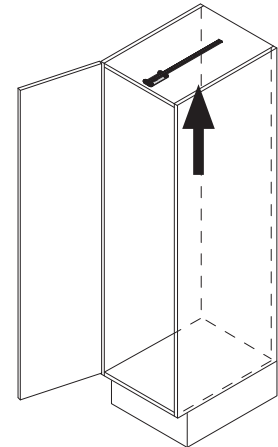
1



A



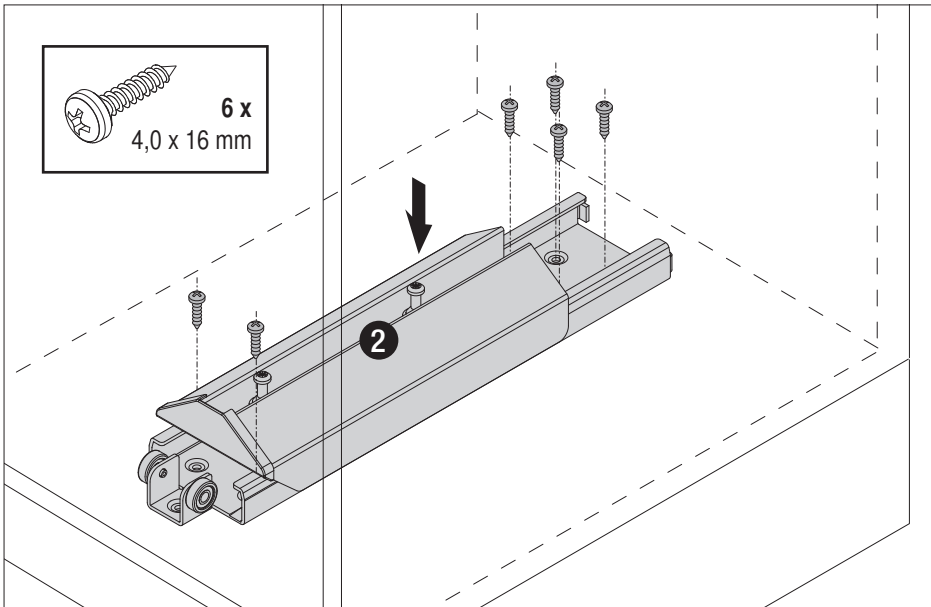
6 x
4,0 x 16 mm



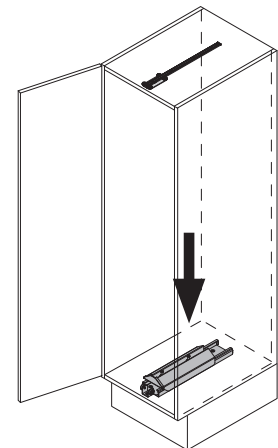
2



B

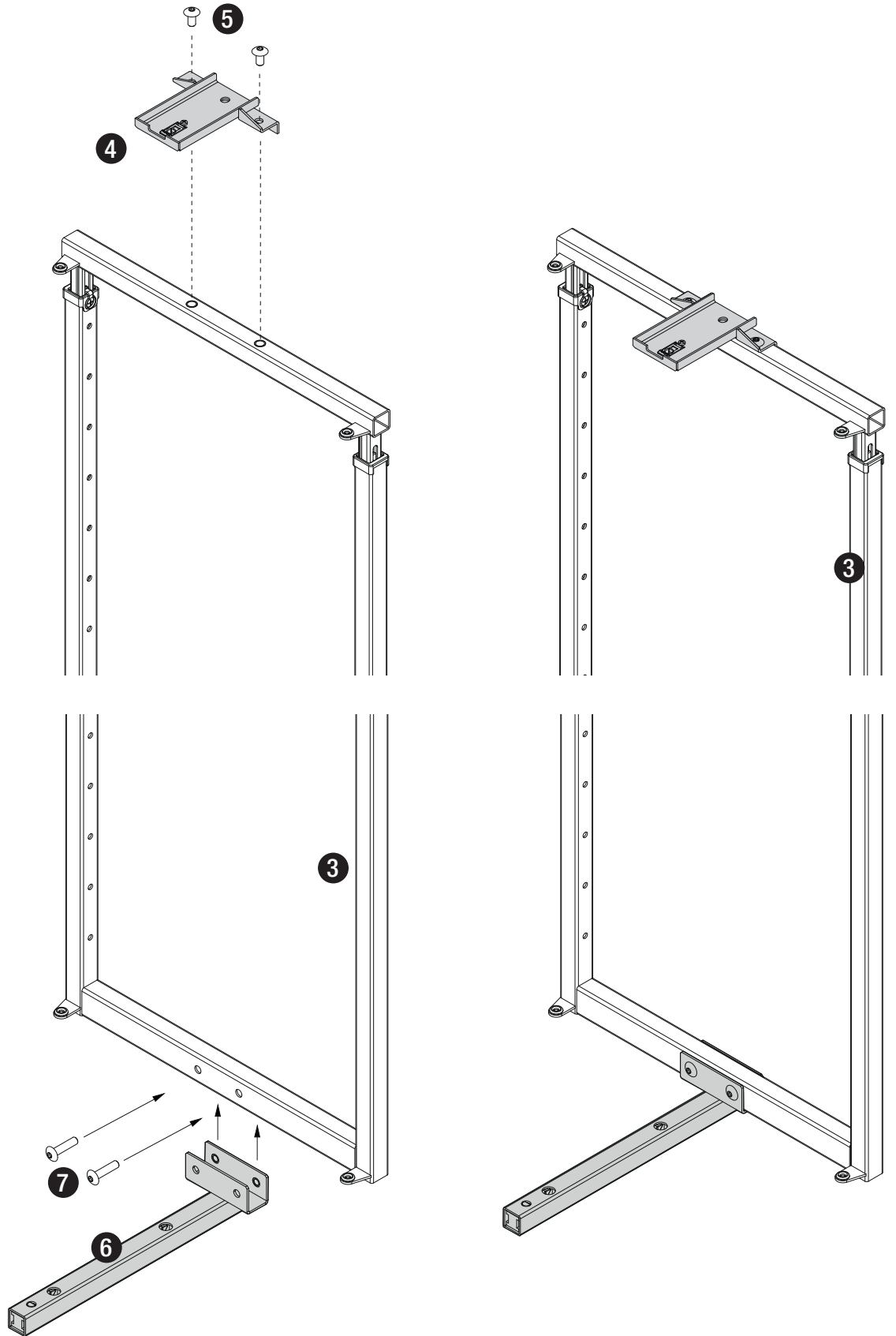


6 x
4,0 x 16 mm

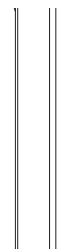
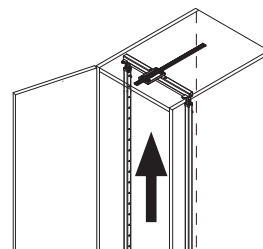
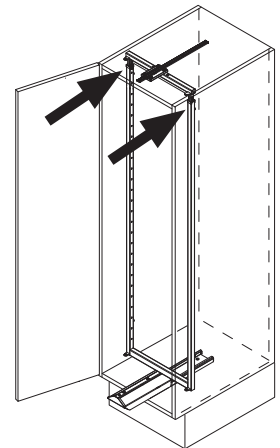
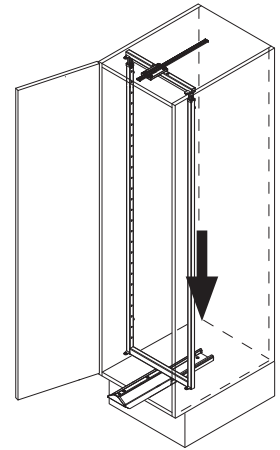
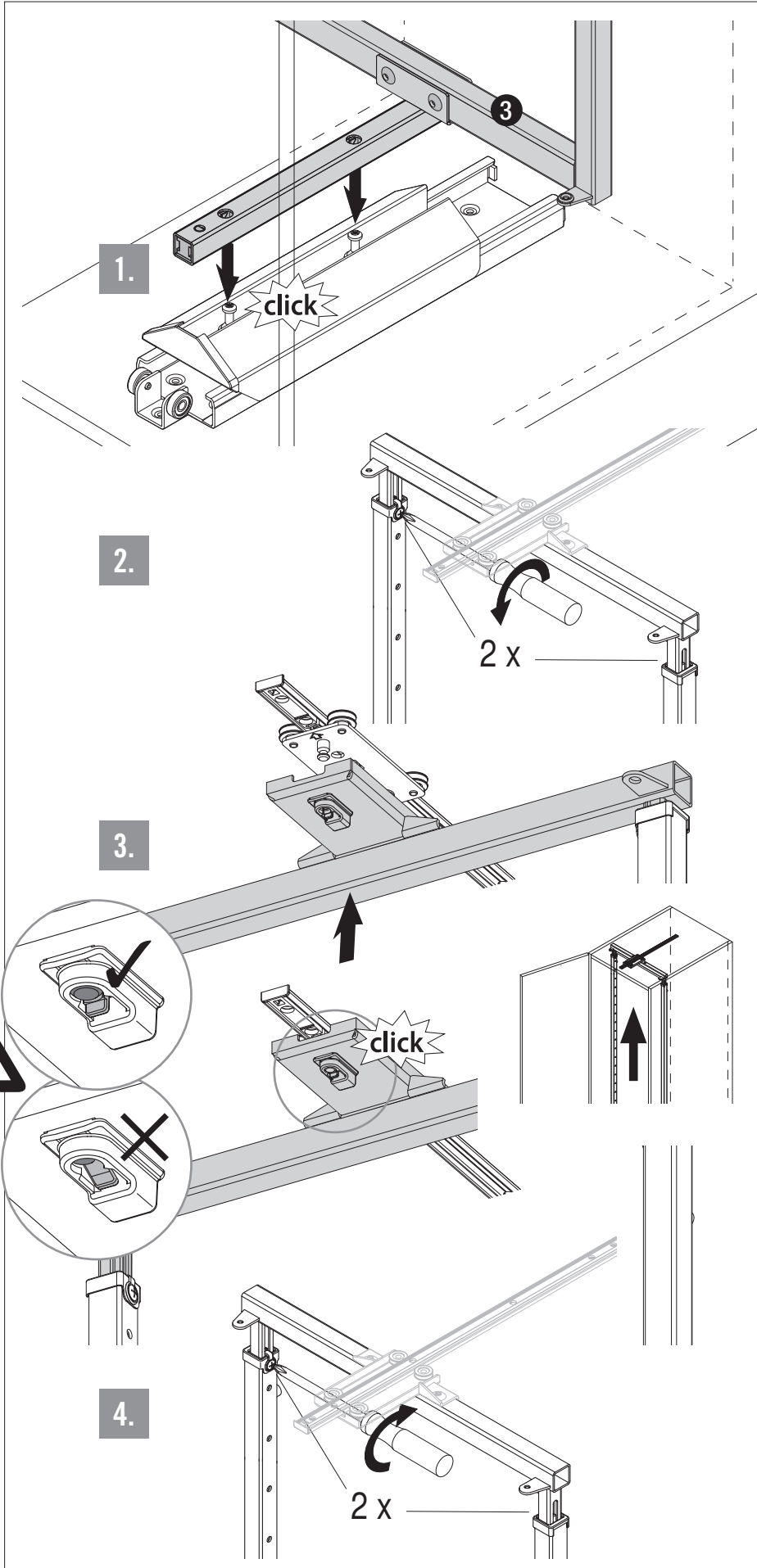


3

SW 5



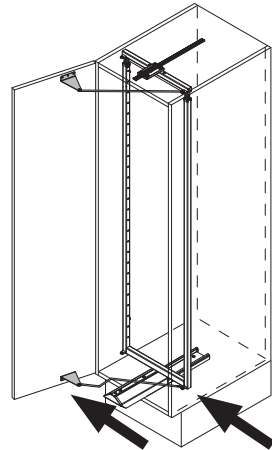
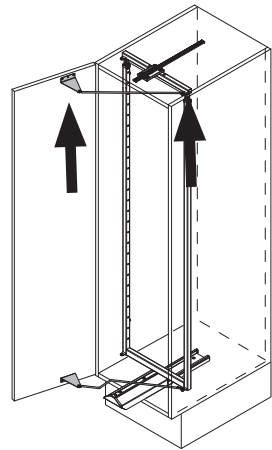
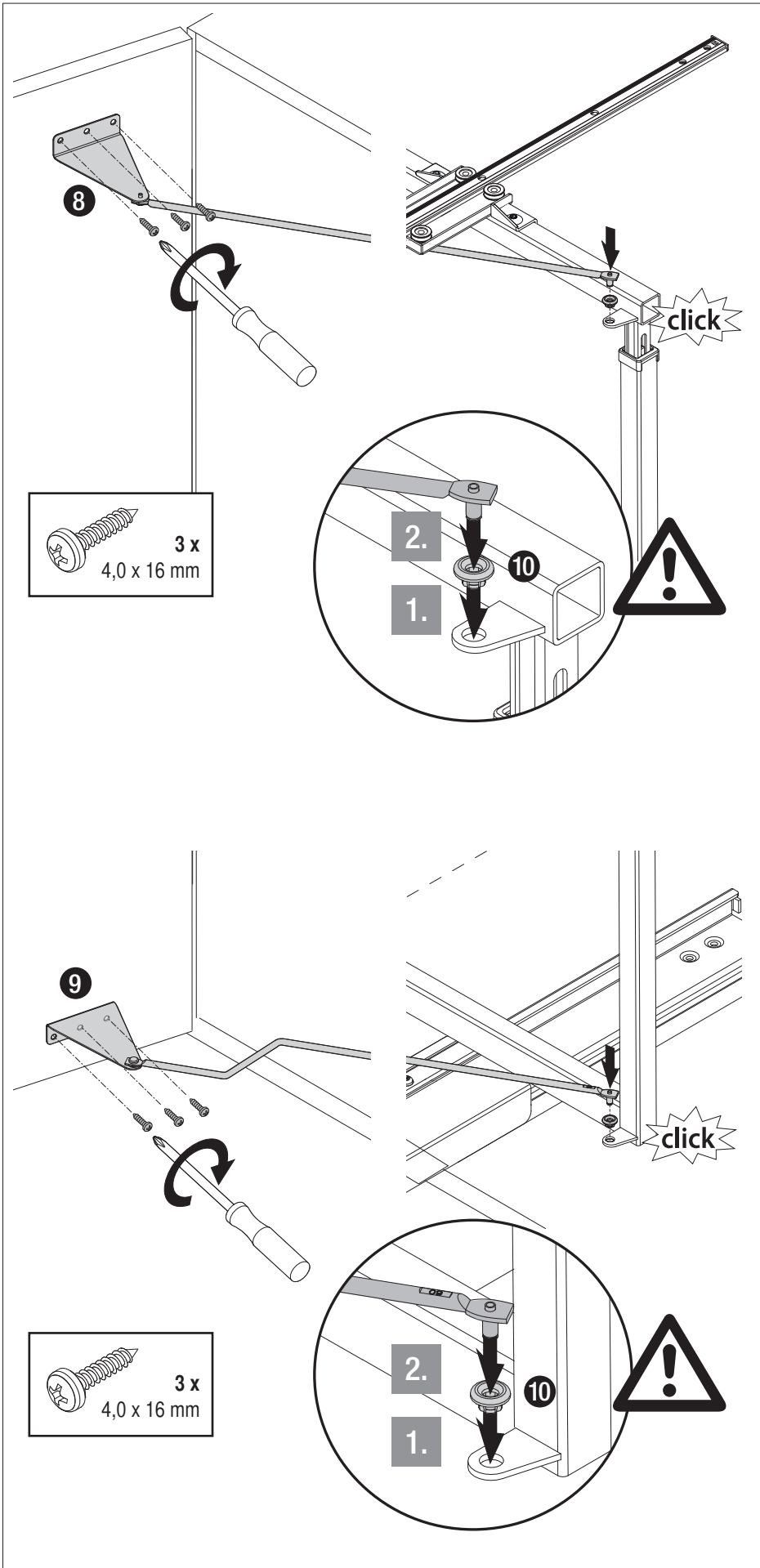
3

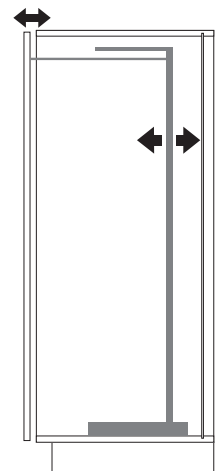
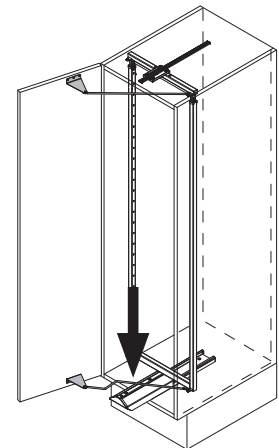
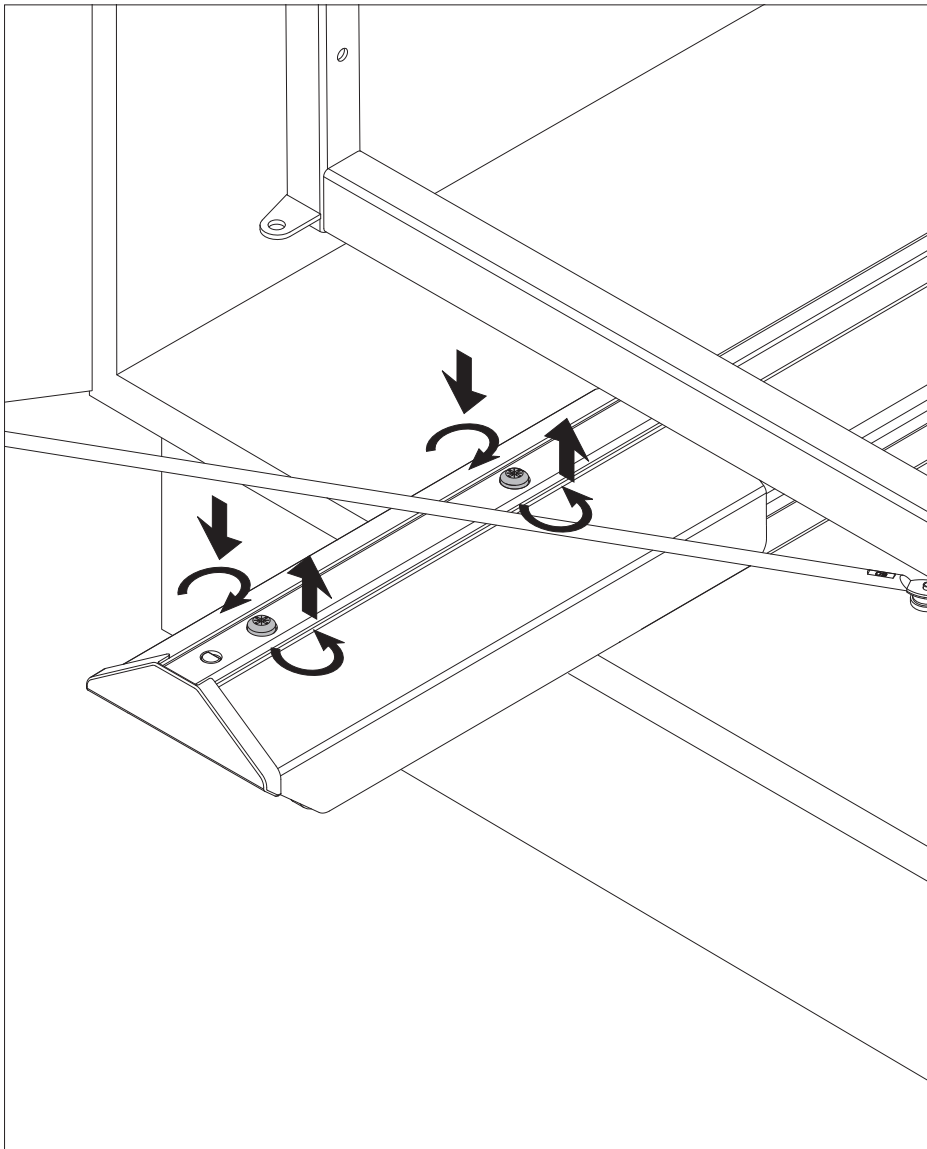
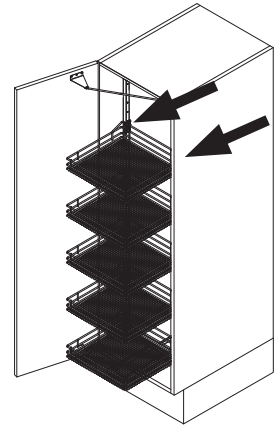
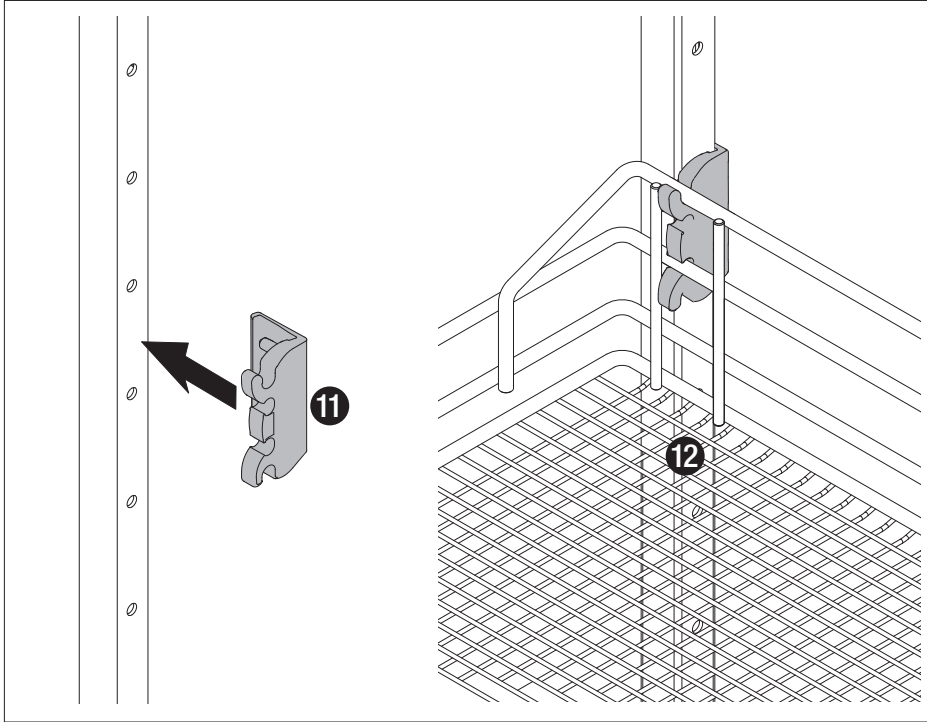


4



C

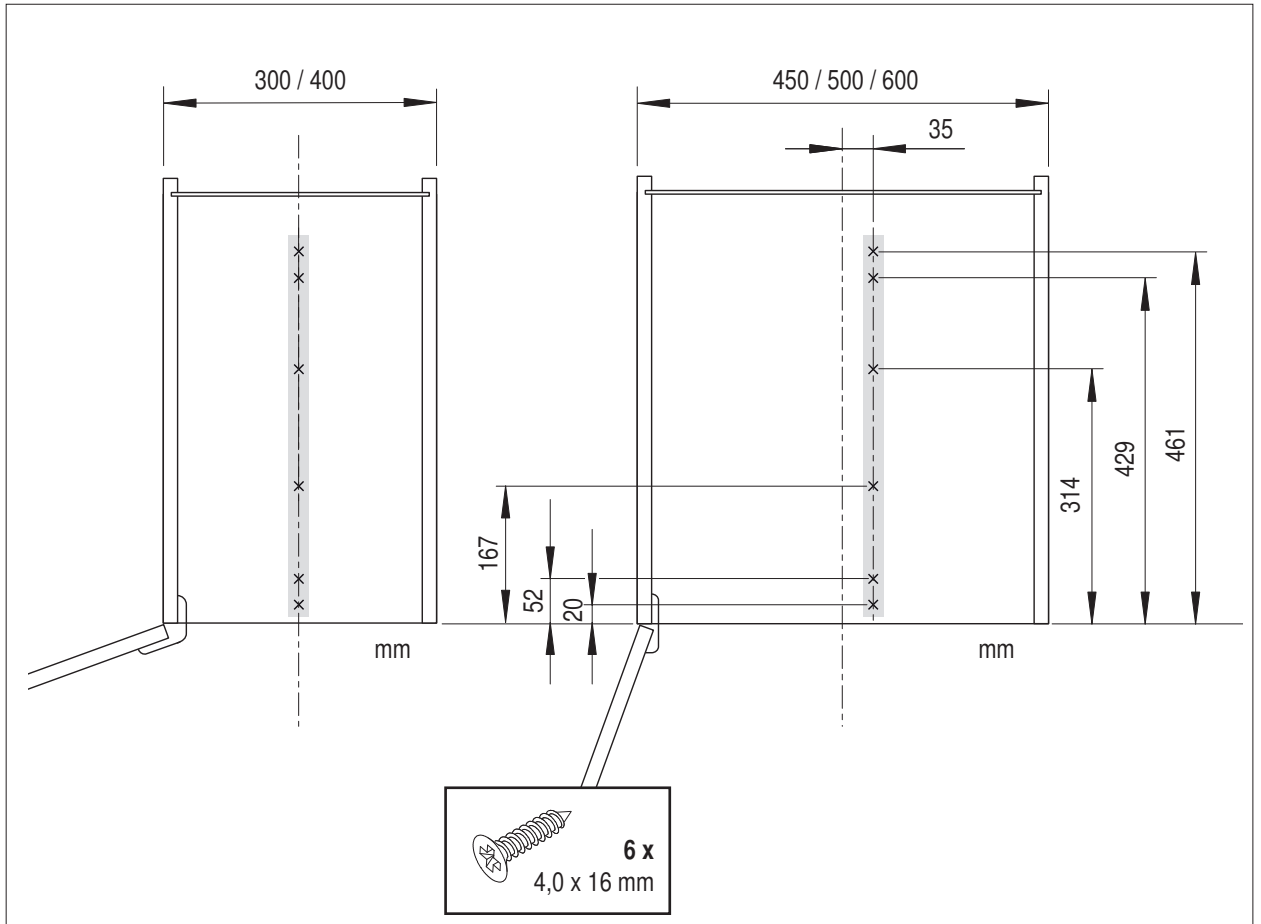




1



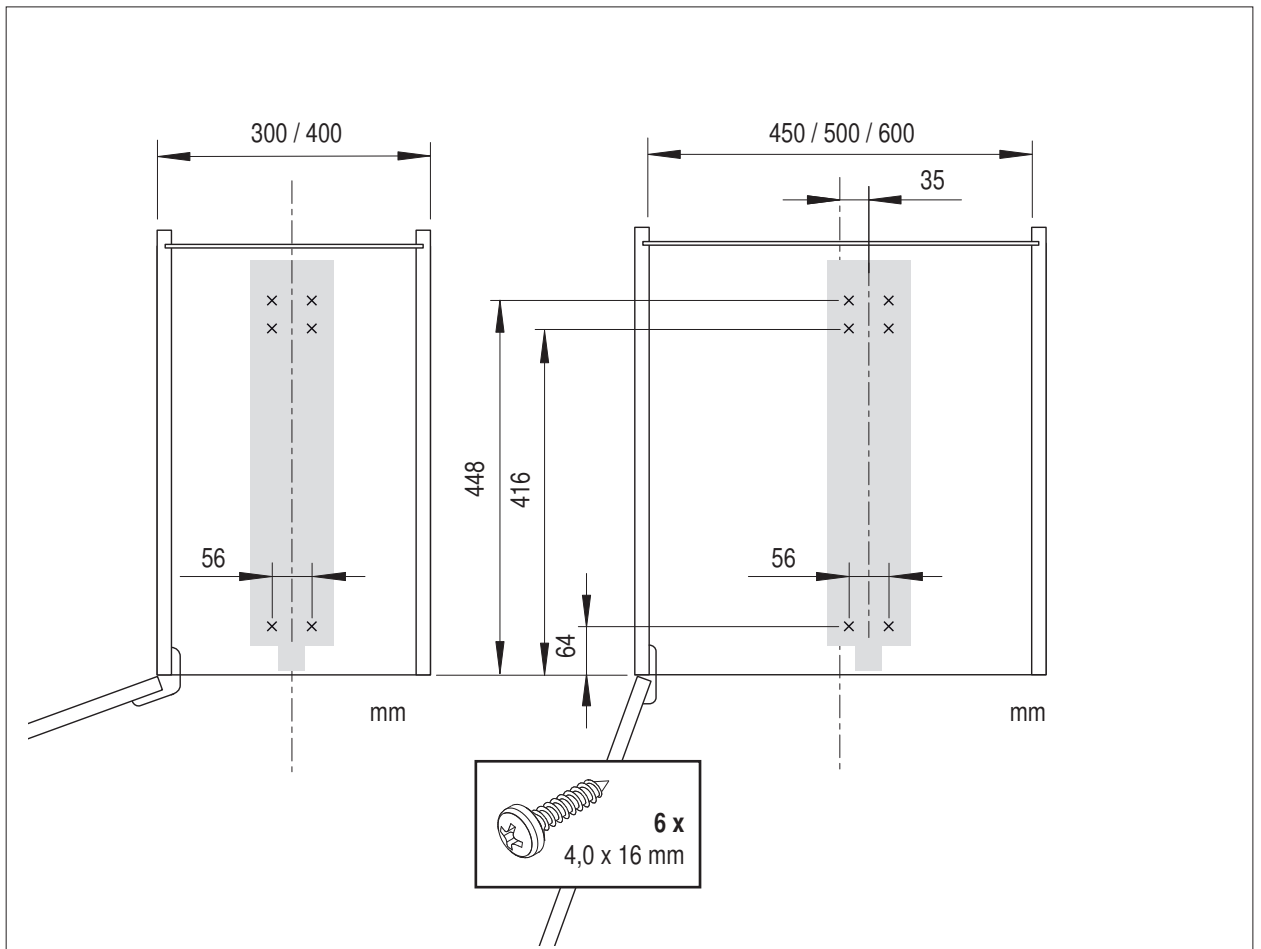
A



2



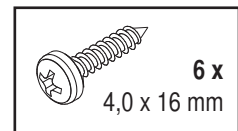
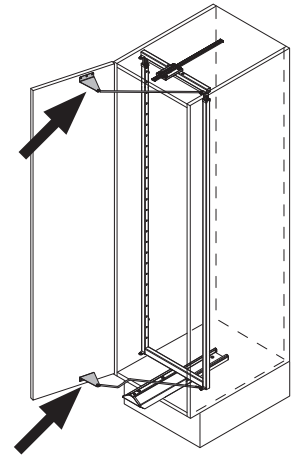
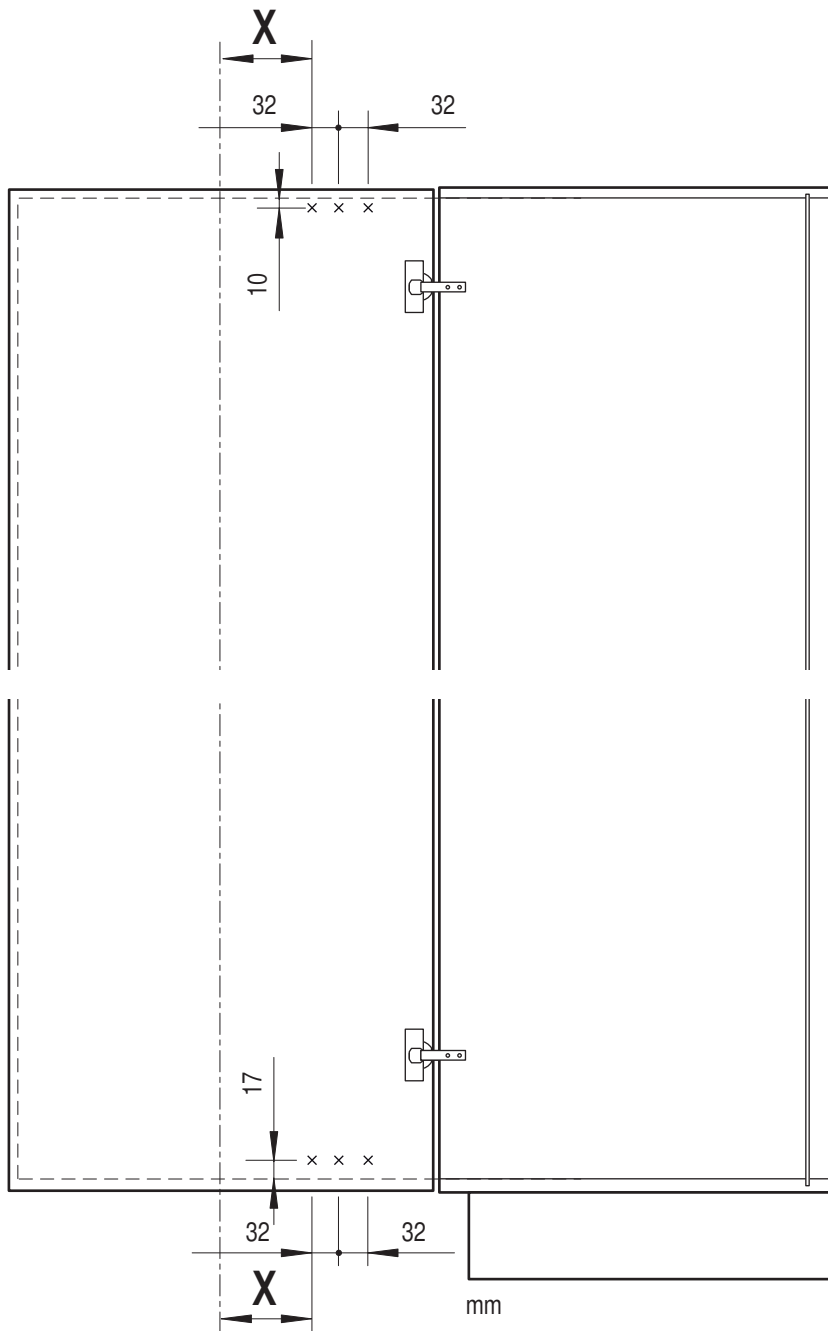
B



6



C



| | X |
|--------------|----------|
| K 300 | 41 |
| K 400 | 78 |
| K 450 | 80 |
| K 500 | 96 |
| K 600 | 133 |

mm