

CONICAL DUAL LEVER TAP CHROME

TCO1CM/



A uniquely shaped body paired with square spout design which creates an ultimate modern design piece.

Conical is available in single lever and dual lever handle styles.

- Dual lever handle design
- Suitable for all pressure water systems
- Featuring an anti-splash spout with honeycomb aerator design which mixes air with water to emit a water flow with no splash

RANGEMASTER

SINKS & TAPS

Overall Height (mm)	294
Spout Reach (mm)	212
Spout Height (mm)	264
Spout Rotation Range	360°
Handle Type	Dual Lever
Colour	Chrome
Bar Pressure Suitability	
Min. Bar Pressure	0.3
Max. Bar Pressure	5.5
Mixed Flow Rate at 3 Bar Pressure (l/min)	17.47
Flow Type	Single Flow
Recommended Hot Water Temperature	46°C
Maximum Hot Water Temperature	70°C
Handle Control	Quarter Turn
Centre Distance (mm)	-
Cartridge Type	Ceramic Disc Cartridge
Aerator Type	Honeycomb Aerator
Inlet Pipes	1/2" Stainless Flexible Hoses
Anti-Splash Spout	Yes
Pull Out Spray	No
WRAS Approved	No
Product Code	TCO1CM/
Barcode	5015834051307

Date of download: November 12, 2025

AGA Rangemaster continuously seeks improvements in specification, design and production of products and thus, alterations take place periodically. Whilst every effort is made to produce up to date resources, the information included here is intended as a guide. Always refer to the installation instructions when fitting, installation work should be completed by a professional tradesman.

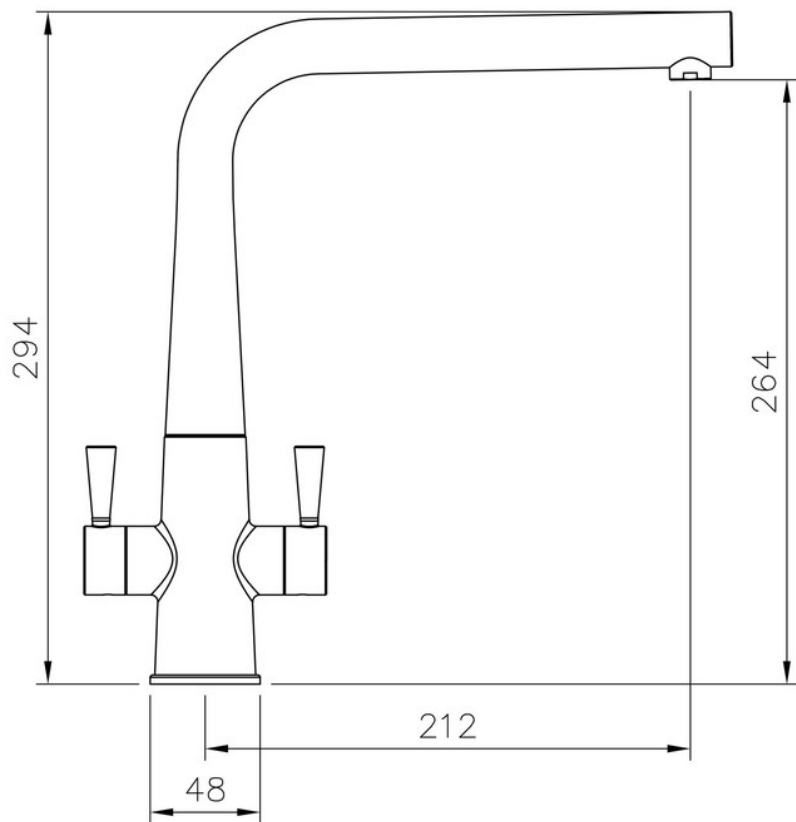
CONICAL DUAL LEVER TAP CHROME

TCO1CM/

RANGEMASTER

SINKS & TAPS

Technical Drawing



Date of download: November 12, 2025

AGA Rangemaster continuously seeks improvements in specification, design and production of products and thus, alterations take place periodically. Whilst every effort is made to produce up to date resources, the information included here is intended as a guide. Always refer to the installation instructions when fitting, installation work should be completed by a professional tradesman.