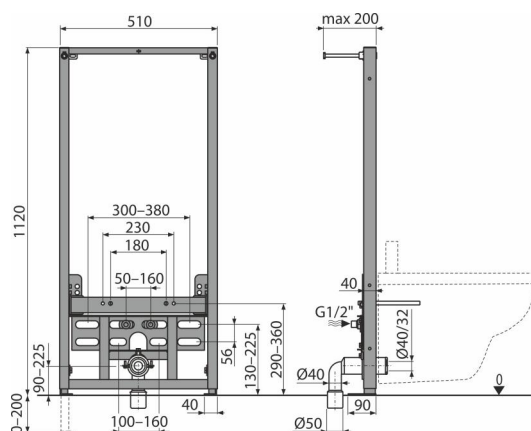


# A105/1120

## Mounting frame for bidet



### Application

For mounting in front of a support wall or in to a plasterboard construction  
 For installation deck mounted faucet  
 For wall-hung bidets with a connecting pitch of 180 mm or 230 mm

### Features

- The frame allows the anchoring to a separate sufficiently strong plasterboard partition, in front of the bearing wall
- Material: powder-coated metal
- Adjustable anchor feet and a spring-lock system, with a range of 0–200 mm
- Water supply pitch 55–145 mm

### Scope of supply

- Fixation material for fixing the bidet: Threaded rod M12 – 4 pcs, washers – 2 pcs, cover – 2 pcs, nut – 2 pcs, thread protector – 2 pcs
- Fixation set: screw Ø8x60 – 4 pcs, dowel Ø12 – 4 pcs
- Waste elbow HT 50 with seal
- Connection fittings G1/2"–G1/2"
- Self-supporting frame

### Order number, Logistic information

Code	EAN	Weight (piece   packing   palett)	Dimensions (piece   packing)	Quantity (packing   palett)
A105/1120	8595580552701	12,0453   12,0453   260,9060 kg	1125x515x75   1125x515x75 mm	1   20 pcs

Warranty 2/15 years \*      Customs code 73089098

### Technical specifications

- Load test 400 kg