

Multi Directional Valves

Introduction

The Inta range of multi directional lever operated valves allows the user to deliver hot, cold or mixed temperature water in a controlled and hygienic way. The valves are simple to install, easy to use, vandal resistant and durable making them ideal for wide range of applications

reduces
wastage and
delivers water in a
controlled and
hygienic way

- Water saving
- Hygienic
- Robust construction
- Durable
- Easy to install



LO800CP



LO810CP



LO820CP

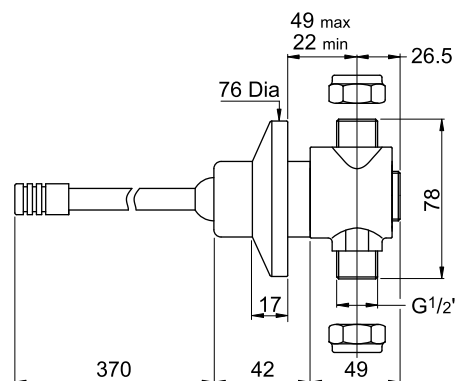
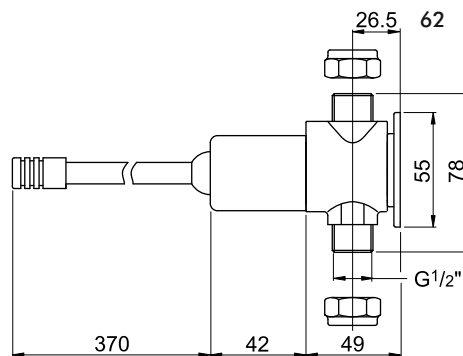
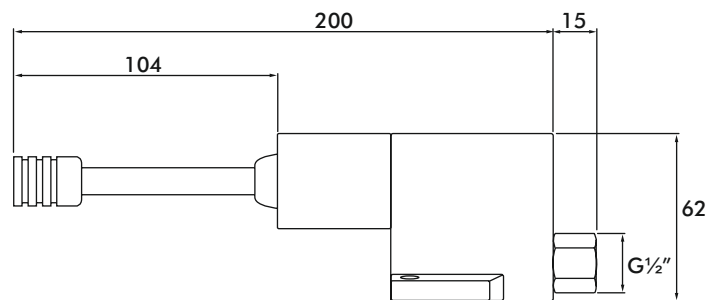
Product Range

Description	Code
Floor mounted multi directional valve	LO800CP
Wall mounted knee operated multi directional valve (exposed)	LO810CP
Wall mounted knee operated multi directional valve (concealed)	LO820CP

Features

■ Technical Specification

Max Inlet Pressure	5 bar
Min Inlet Pressure	0.1 bar
Max Inlet Temperature	65°C
Flow time	15 seconds at 3 Bar
Inlet Connections	15mm / G1/2"
Outlet Connections	15mm / G1/2"



■ inspiring confidence

inta