

shower valves - Plus Thermostatic Bath Shower Mixer

Introduction

The Plus combines a clean, simple style with Inta's thermostatic protection. Practical and elegant, the Plus range can be used to enhance the appeal of the bathroom setting whilst protecting those who use the bath or shower.

thermostatic protection



- Suitable for use with unvented supplies, combi boilers, gravity and mains pressure systems
- Thermal cartridge technology
- Temperature stability of $\pm 2^{\circ}\text{C}$
- Fail safe protection on both the hot and cold supplies
- Operating pressure range of 0.2 to 5 bar
- High flow rates
- WRAS and TMV2 approved

Product Range

Description	Code
Plus thermostatic bath shower mixer with flexible slide rail kit	PL30014CP
Plus thermostatic bath shower mixer wall mounted	920000CP
Plus thermostatic bath shower mixer with deck mounting legs and flexible slide rail kit	922245CPB
Plus thermostatic bath shower mixer with deck mounting legs	PL30020CP
Flexible slide rail kit	31665CPA

plus thermostatic bath shower with flexible slide rail kit
PL30014CP

plus thermostatic bath shower with deck mounting legs & flexible slide rail kit
922245CPB



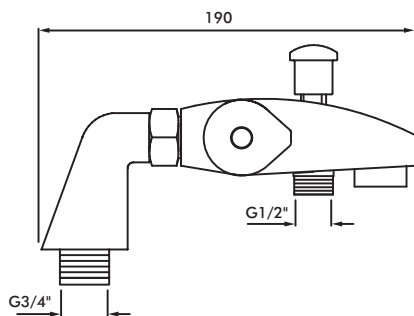
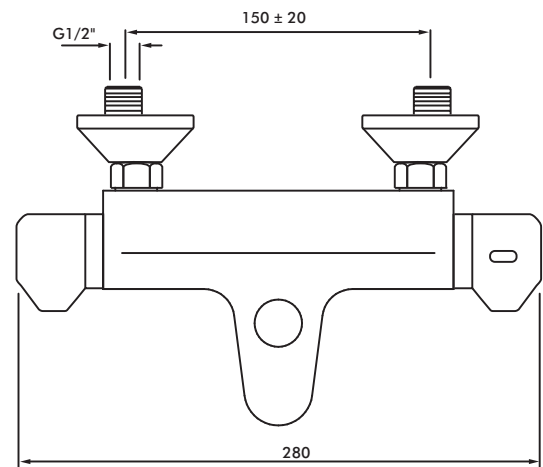
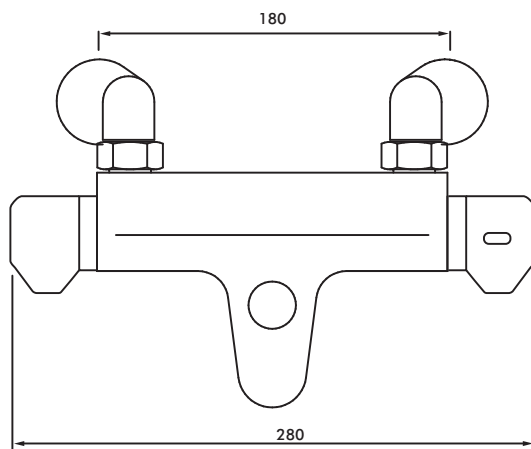
shower valves - Plus Thermostatic Bath Shower Mixer

Features

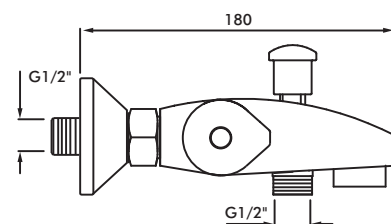
Technical Specification

Max Inlet Pressure (static)	5 Bar
Min Inlet Pressure (dynamic)	0.2 Bar
Max Inlet Temperature	85°C
Factory Pre-set Temperature	38°C with max temp stop
Inlet Connections	G 3/4" F BSP (valve body)
Outlet Connections	G 1/2" F BSP
Min Temperature differential to achieve hot or cold failsafe	15°C

System Installation: Unvented, Pressurised, Gravity and Combination Boilers



PL30020CP



920000CP

