

iSPORT

**designed
for use in
commercial
washrooms**

Introduction

The Inta i-sport shower panel has been designed for high use washrooms. Available in either top or back inlet connection with an adjustable spray direction, anti-lime scale shower head and pneumatic time flow control. The i-sport shower panel's sleek and durable design will perform reliably time after time.



- All-in-one compact design
- Top or back inlet connection
- 8 Litres per minute flow regulator
- Directional control shower head
- Anti limescale rub-clean head

description

code

inta i-sport shower panel top inlet connection with push button timed flow control and shower head

SP9206CP

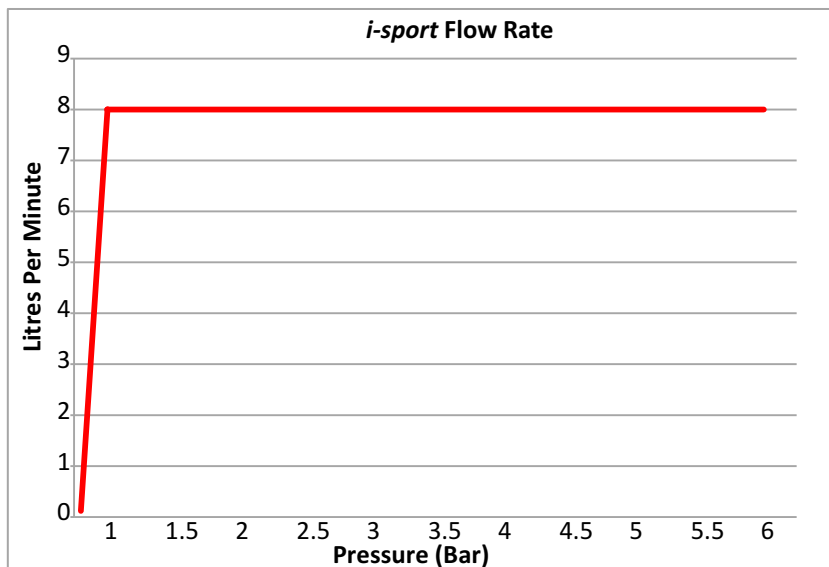
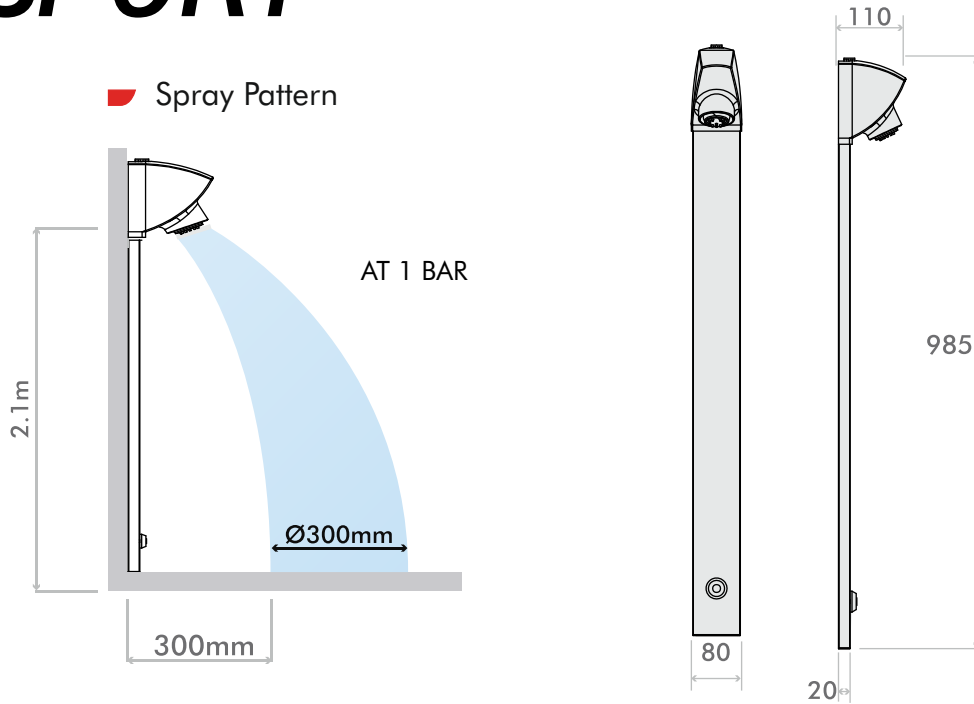
inta i-sport shower panel back inlet connection with push button timed flow control and shower head

SP9207CP

inta *i-sport* shower panel

with push button timed flow and directional control shower head

iSPORT



Technical Specification

Minimum Operating Pressure	1 Bar
Flow Rate	8 ltrs/min flow regulator
Maximum Operating Pressure	6 Bar
Flow Time at 1 bar	30 sec +5/-10
Maximum Inlet Temperature	65°