

Vandal resistant shower head

the **vandal resistant heads** are designed for use with inta thermostatic mixing valves

Introduction

The Intatec range of vandal resistant shower heads is designed for use with our range of thermostatic mixing valves. The robust construction makes it suitable for use in schools, sports and leisure facilities and other areas where there is a risk of misuse.

Reflecting the quality of the Intatec range of total washroom solutions, the unique design of the vandal resistant shower head allows for back and bottom/back fixing in one design and is a cost effective answer for communal facilities.

- Modern Design
- Hygienic
- High polished chrome
- Solid Brass Body
- Hidden wall fixing for security
- Rear / Bottom connection



Product Range

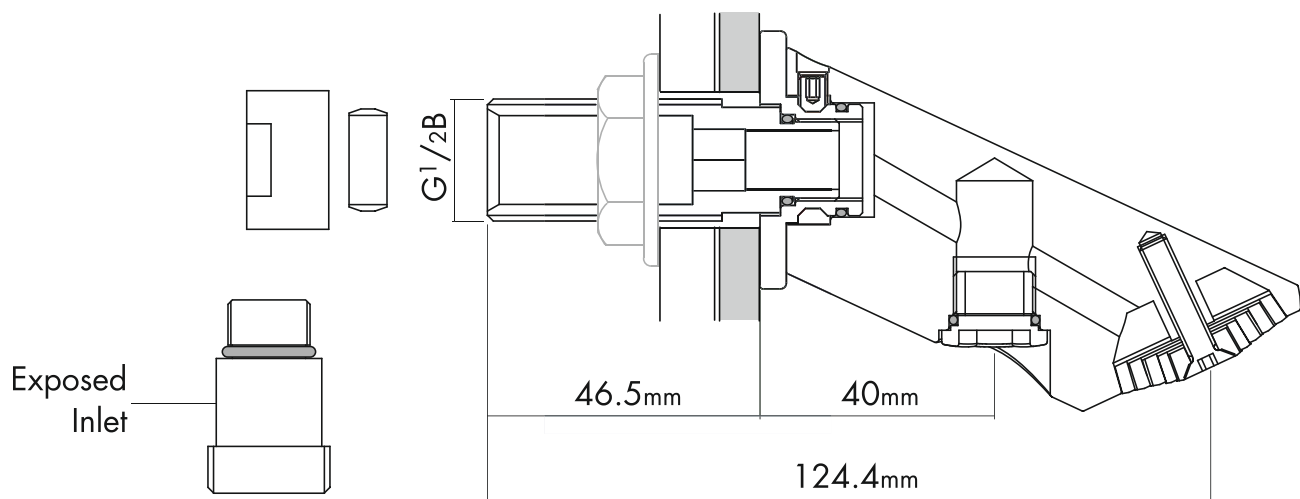
Description	Finish	Code No.
VR Shower Head	Chrome	VR994CP

Vandal resistant shower head

Features

Technical Specification

Max Operating Pressure	10 Bar
Min Operating Pressure	0.2 Bar
Max Inlet Temperature	85°C
Exposed or Concealed	G1/2" B / 15mm Comp



 inspiring confidence

inta

intatec limited
Airfield Industrial Estate, Hixon
Staffordshire, ST18 0PF

T: 01889 272180

F: 01889 272181

E: sales@intatec.co.uk