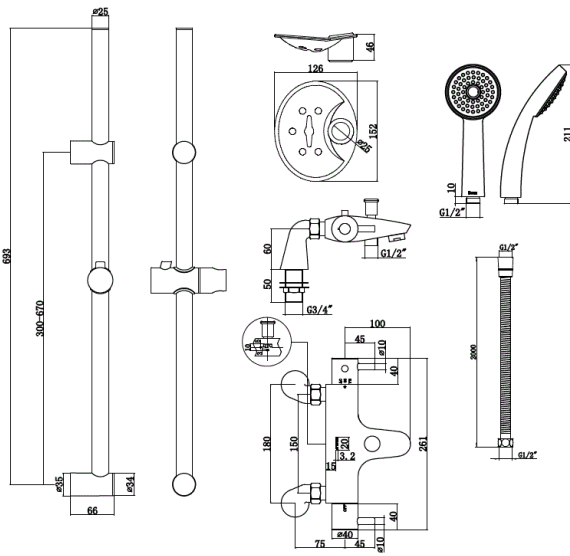


## THERMOSTATIC BATH SHOWER MIXER WITH KIT



**CONSTRUCTION:** Brass & ABS

**CARTRIDGE/VALVE TYPE:** Thermostatic

**SUPPLY:** Suitable for high pressure only

**INLET CONNECTIONS:** 3/4" BSP

**WORKING PRESSURES:** 1.0 - 5.0 bar

**OPERATION:** Separate Flow And Temperature Controls

- Thermostatic valve with 38°C temperature stop (*with override*)
- Single Mode Handset with Adjustable Rail
- Products which are easy to use by all the family

TLVBSM1B

Chrome

### Open Outlet Flow (Bar - l/min)

BAR	0.3	0.5	1.0	2.0	3.0	4.0	5.0
SPOUT FLOW	7.2	9.4	13.5	19.2	23.5	27	30.4
HANDSET FLOW	7	9	13	15	19	21	24



Please Note: Flow rate will be dictated by installation configurations.  
Please ensure to check the appropriate flow restrictor information if applicable.  
\*Please refer to website for full warranty details.