

Do not bend or break the Safety strip!

Safety strip 30-69XXX-1



User Manual

Mounting Instructions

Keep this folder with product at all times!

Mounting of safety strip

- * **Option: Ropox always recommends the use of safety strips for electrically operated frames.**

IMPORTANT



Be careful not to damage the safety strip during transport or mounting.



If the safety strip is attached to an uneven or curved surface, whereby it is bent or distorted, the correct functioning of the safety strip may be jeopardised.



The surface to which the safety strip is to be attached must be clean, dry and degreased to obtain optimum adhesion.
Please use provided cleansing tissue



The "corner guides" should be mounted first as a guide for the safety strip. They should be placed where the side fascia and front fascia meet.

Mount the safety strip on the bottom side of the fascia by means of the double adhesive tape starting at the furthest point from the control box.

Remove the protective paper of the tape and press on the safety strip. Be aware of the minimum inside bending radius $R_{min}=2$ cm.

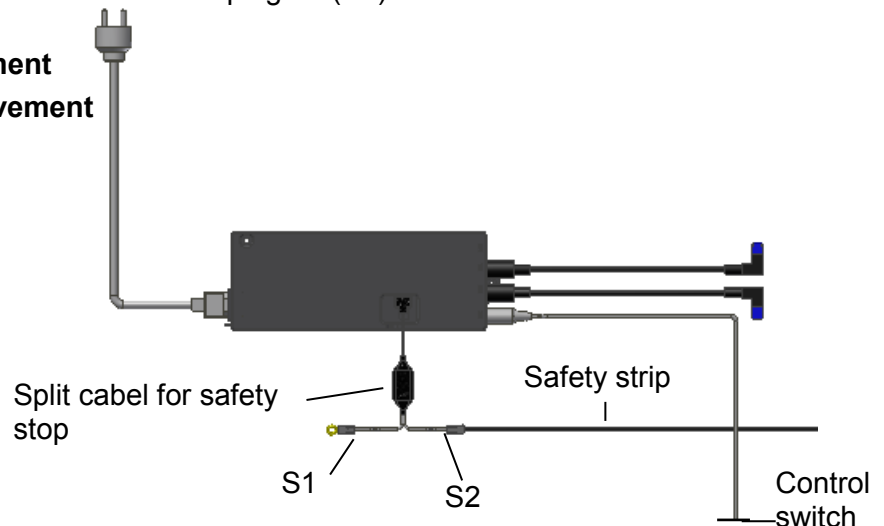
Pull out the yellow resistor plug from the split cable (S2).



Connect the plug from the safety strip with the available plug on (S2).

S1: Short cable for upward movement

S2: Short cable for downward movement



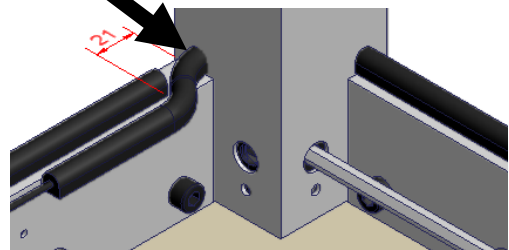
Mounting of safety strip onto 4Single:



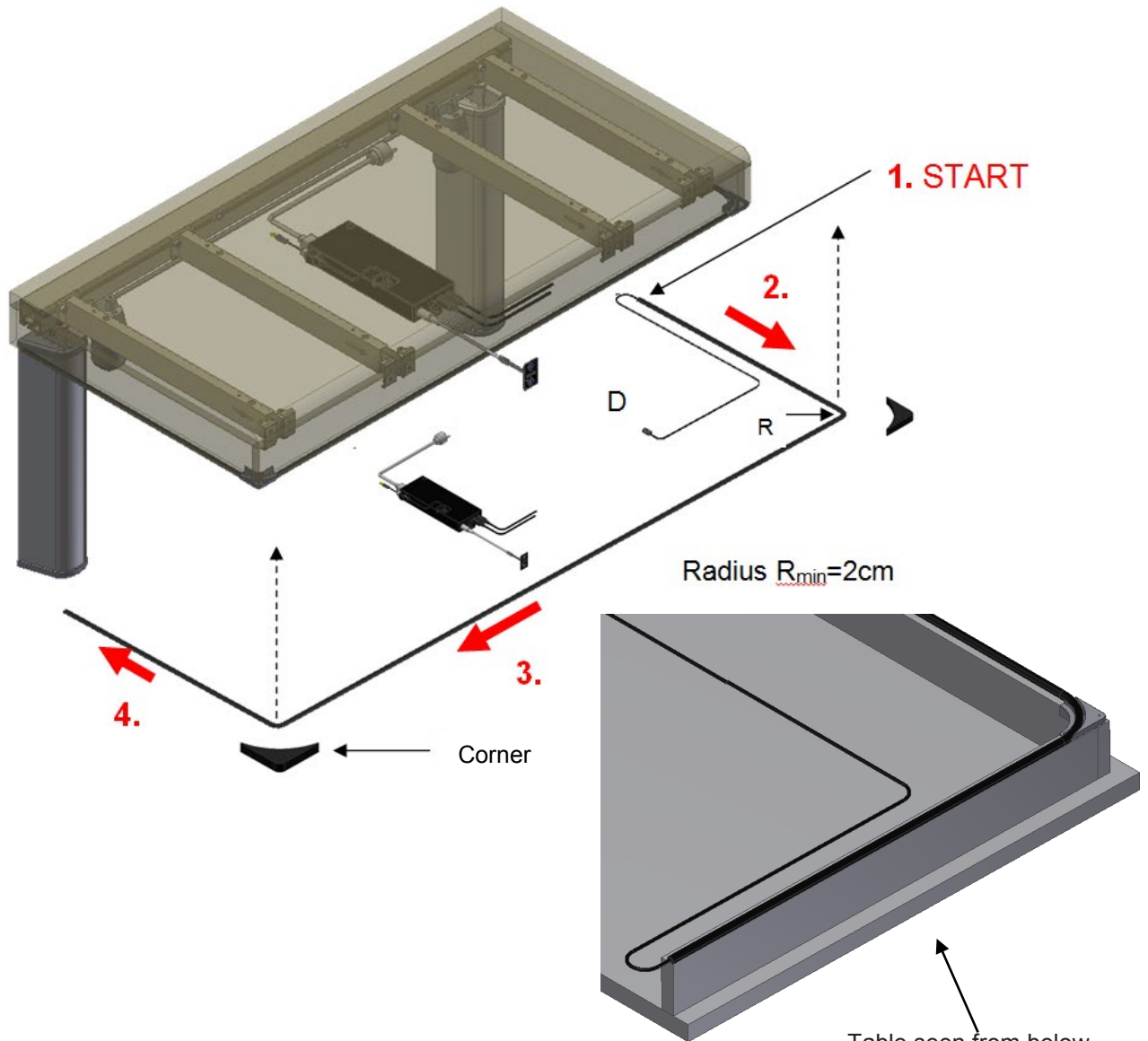
Do NOT pull safety strip too hard when pushing through leg section of 4Single!



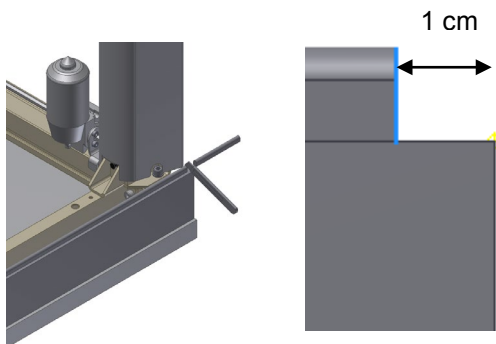
Please also note 4Single user manual



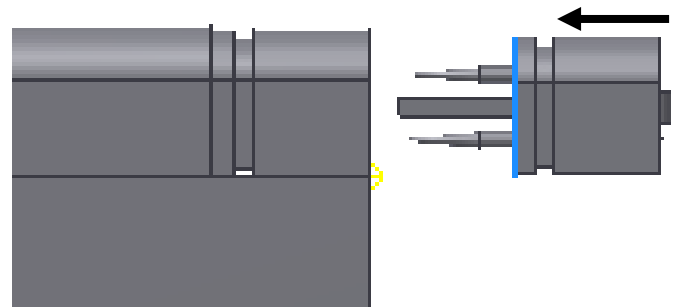
Mounting of safety strip



5. Shorten the Safety strip

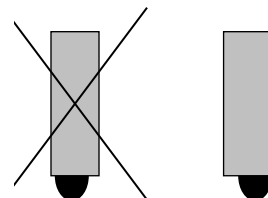


6. Connect the end plug



Sectional view of wooden front fascia / side fascia:

It is extremely important to mount safety strip in straight line with edge of front fascia / side fascia.



Safety strip overview

30-69XXX Safety strip L=XXX cm, incl. 150cm cable with plug

| | XXX | XXX | XXX | XXX | XXX | XXX | XXX | XXX | XXX | XXX | XXX | XXX |
|----|-----|-----|-----|-----|-----|-----|-----|-----|-----|-----|-----|-----|
| Cm | 56 | 120 | 160 | 200 | 240 | 280 | 320 | 420 | 520 | 620 | 820 | 920 |

Mounting parts;

Corner guide 97701-624

3 pcs.



End plug with 1,2 Kohm resistor

1 stk.



Knife 97004020

1 stk.



Tissue, VHB Surface Cleaner 97002939

1 pc.

Options for the safety strip

Extension cord for safety strip 30-67870:

L=250 cm (black)

1 pc.



Spiral extension 30-67871:

L=25-100 cm (black) for safety strip

1 pc.



General info:

Ropox always recommends the use of safety strips at three sides of the electrically operated Flexi frames.

Safety strip to be supplied in fixed lengths (see above). All safety strips are supplied with 150cm cable with plug.

End plug with resistor supplied loose, to be able to shorten the safety strip to suitable length.

Ex. – Worktop length + 2 x 58 cm = length of safety strip, for worktop depth 62 cm.

It is not possible to connect several safety strips in a row.



ROPOX A/S

Ringstedgade 221
DK – 4700 Naestved

Tel.: +45 55 75 05 00 Fax.: +45 55 75 05 50

E-mail: info@ropox.dk
www.ropox.com