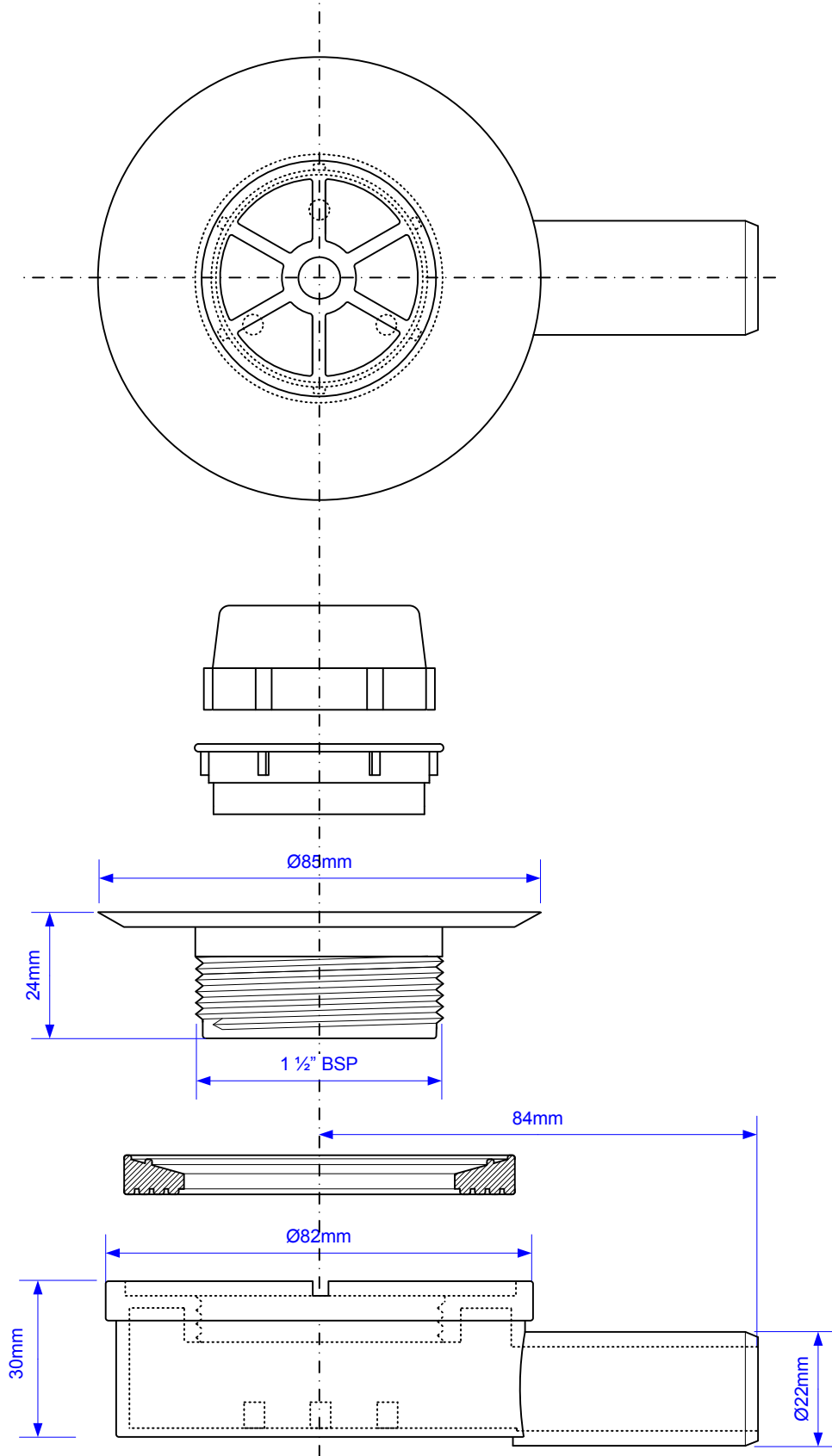


Code:

# UPSW-3-22MM



Drawing verified  
correct as of:

06/11/2014  
RM

DRAWN BY

RM

REVISED

28/10/2010, 06/11/2014

SCALE

1: 1.25

FILENAME

UPSW-3-22MM.VSD

DATE

06/11/2014