



PRESSALIT®



R8402  
R8403

## SCT 1000

**Shower change table – Operation and maintenance manual** en

**Bruseleje – Brugs- og vedligeholdelsesvejledning** dk

**Duschliege – Gebrauchs- und Pflegeanleitung** de

**Table de douche et de change – Manuel d'utilisation et d'entretien** fr

**Douchebrancards – Gebruiks- en onderhoudshandleiding** nl

**Duschbrits – Bruks- och underhållsanvisning** sv

**Dusjstillebord – Bruks- og vedlikeholdsveiledning** no

**Camilla de ducha - Instrucciones de uso y mantenimiento** es

**洗澡床 - 操作和维护手册**

**中文**



English . . . . .	3
Dansk . . . . .	20
Deutsch . . . . .	36
Français . . . . .	52
Nederlands . . . . .	68
Svenska . . . . .	84
Norsk . . . . .	100
Español . . . . .	116
中文 . . . . .	132



- en** The guarantee covers faults or defects in material or manufacture within a period of 3 years. Products are subject to minor technical modifications and design deviations. E. & O.E.
- 
- dk** Garantien dækker i 3 år fra fakturadato for materiale- og fabrikationsfejl. Der tages forbehold for trykfejl, tekniske ændringer og modelafvigelser.
- 
- de** Die Garantie gilt für drei Jahre ab Rechnungsdatum für Material- und Herstellungsfehler. Druckfehler, technische Änderungen und Modellabweichungen vorbehalten.
- 
- fr** La garantie couvre les vices de fabrication et de matériaux pour une durée de 3 ans à partir de la date de facturation. Sous réserve de modifications techniques et d'erreurs d'impression.
- 
- nl** De garantie is tot 3 jaar na factuurdatum geldig voor materiaal- en fabricagefouten. Onder voorbehoud van drukfouten, technische wijzigingen en modelafwijkingen.
- 
- sv** Garantin gäller i 3 år från fakturadatum för material- och fabrikationsfel. Med reservation för tryckfel, tekniska ändringar och modellavvikelser.
- 
- no** Garantien gjelder i 3 år fra fakturadato for material- og fabriksjonsfeil. Med forbehold for trykkfeil, tekniske endringer og modellforskjeller.
- 
- es** La garantía cubre fallos de material o fabricación durante los 3 años posteriores a partir de la fecha de factura. Mantenemos reservas en caso de problemas de presión, modificaciones técnicas y variaciones de modelo.
- 
- 中文** 保修涵盖 3 年内出现的材料或制造故障或缺陷。产品的技术和设计可能稍微发生变化，恕不另行通知。

# Content

Mounting instruction .....	3
Operational signage .....	3
Symbols used in this manual .....	4
Specific safety .....	4
General safety .....	5
Product label .....	6
Intended use .....	8
Intended operator profile .....	8
Intended user profile .....	8
Operating environment .....	8
Versions .....	9
Operating instructions .....	10
Height adjustment .....	11
Cleaning .....	12
Disinfection .....	12
Maintenance .....	13
Maintenance inspection .....	13
Trouble-shooting .....	15
Technical data .....	16
Dimensions (mm) .....	17
Dimensions (inches) .....	18
Disposal and recycling .....	19

## Mounting instruction

en



A mounting instruction is included with the product. It can also be downloaded from [www.pressalit.com](http://www.pressalit.com).

## Operational signage



An operational signage is included with the product. It can also be downloaded from [www.pressalit.com](http://www.pressalit.com).

# Symbols used in this manual

The following symbols are used in this manual as well as the associated documentation supplied with the product.



**WARNING** indicates a potentially hazardous situation which, if not avoided, could result in death or serious injury.



**CAUTION** indicates a potentially hazardous situation which, if not avoided, may result in minor or moderate injury. It may also be used to alert against unsafe practices.



**IMPORTANT** indicates important information about handling and use of the product.



**NOTICE** is used to address practices not related to personal safety.



Hand injury warning



Electricity or potentially dangerous voltage.



Head injury warning.

## Specific safety



- Never leave a person lying on the shower table without supervision.
- Always be careful when moving a person to and from the shower table.

# General safety

## **WARNING**

- Read and understand the manual completely before use. Keep the manual close to the unit.
- Comply with this manual to avoid accidents involving serious personal injury.
- Never use or handle this product in other ways than are specified in this manual, as this can put your safety at risk and cause damage to the product.
- Make sure that everyone who is to install or use the product and its systems has the necessary information and access to this manual.

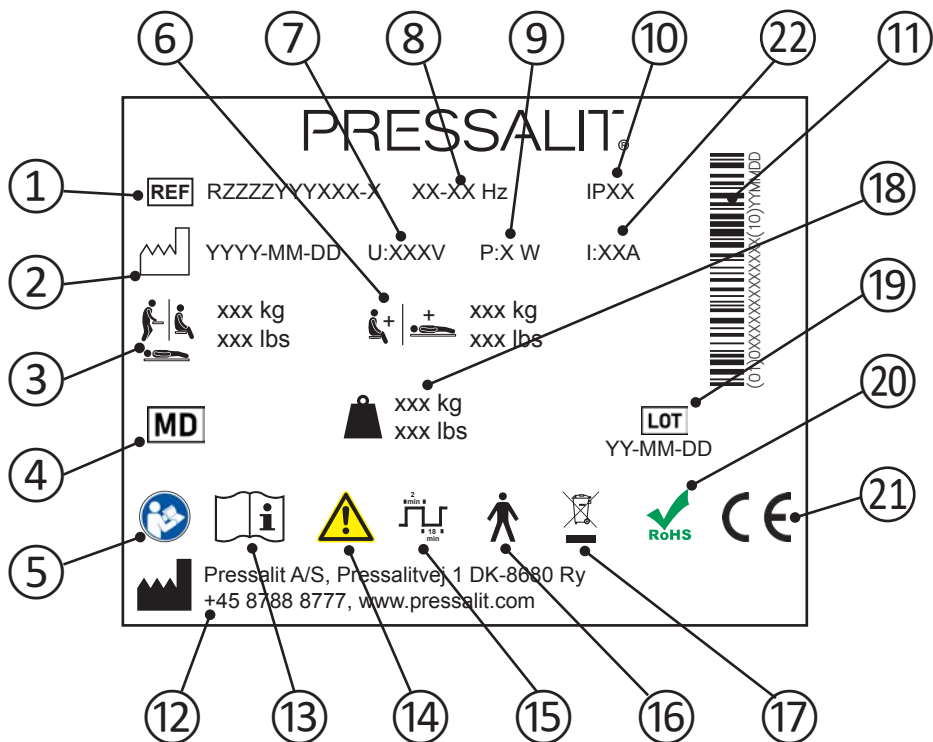
## **CAUTION**

- Please comply with these instructions to avoid the product becoming damaged or destroyed.
- Do not perform repairs, disassembly, or assembly operations, extensions, re-adjustments or modifications to this product. These must be carried out by Pressalit or by persons authorized by Pressalit only.
- Never allow children to operate this product unless under supervision. The product is not intended for play.
- Never use the product if it is defective or damaged. Do not use a defective product before it has been repaired.

## **NOTICE**

- The information in this manual is based on correct fitting of the product in accordance with our Assembly instruction.
- Pressalit cannot be held liable if the product is used in any way which differs from that described in the guide.
- We reserve the right to amend this manual without prior notice.

# Product label



en

① Article number

② Production date

③ Maximum user weight

④ Medical device

⑤ Consult manual for use

⑥ Max load

⑦ Mains voltage

⑧ Frequency

⑨ Maximum power consumption

⑩ IP class

---

⑪ GS1-128 barcode

---

⑫ Name and address of manufacturer

---

⑬ Consult manual for use

---

⑭ Consult the manual for important cautionary information such as warnings and precautions

---

⑮ Duty cycle

---

⑯ Type B applied part Part of the product in normal use necessarily comes into physical contact with the patient to perform its function  
The product complies with requirements of IEC 60601-1 to provide protection against electric shock

---

⑰ Do not dispose as unsorted municipal waste. The product should be collected separately and returned to the designated recycling service.

---

⑱ Product weight

---

⑲ Batch code

---

⑳ This product does not contain any of the hazardous substances mentioned in the Council Directive 2011/65/EC on RoHS.

---

These products are CE-marked in accordance with relevant requirements in:

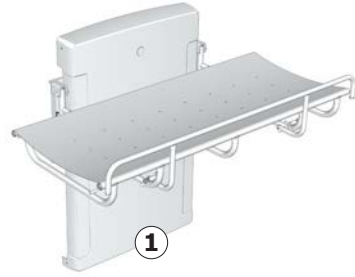
㉑ - Regulation (EU) 2017/745 (5 April 2017) on medical devices.  
- Council Directive 2006/42/EC (of 17 May 2006) on machinery.  
- Council Directive 2011/65/EC (of 8 June 2011) on RoHS.  
A declaration of conformity can be found at [www.pressalit.com](http://www.pressalit.com).

---

㉒ Electric Current

---

Product label placement ①.



## Intended use

This product is intended for bathing a person who is unable to stand up or sit down. The person is lying horizontally on the shower table.

## Intended operator profile

The product is to be used by personnel trained in health care and trained in washing a person in their care.

## Intended user profile

The product can be used by all - adults, children, young, old, whose weight does not exceed the **maximum load of 150 kg / 330 lbs.**

## Operating environment

For indoor use in a wet environment, such as a bathroom or wash room.  
The product is intended to be used at room temperature, in private homes, nursing homes and hospitals under normal working conditions.

### **CAUTION**

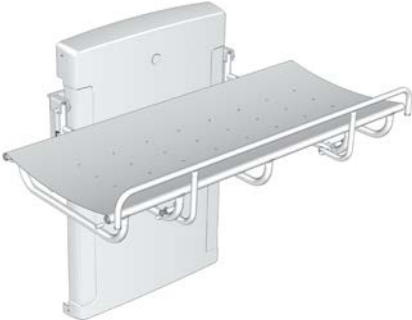
The surface of the product may become hot and / or cold if exposed to external sources of heat or cold (eg sunlight or frost).

### **NOTICE**

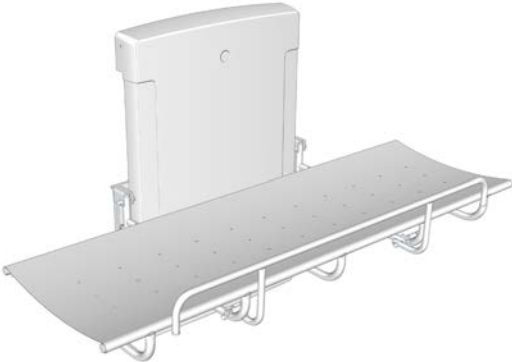
Any serious incident that has occurred in relation to the product should be reported to the manufacturer and the health authorities.



# Versions



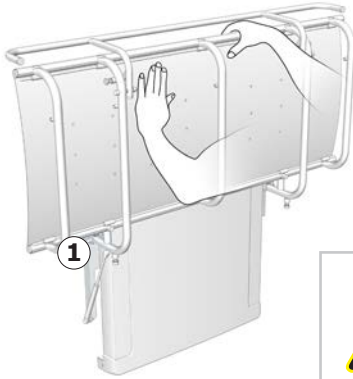
R8402



R8403

en

# Operating instructions



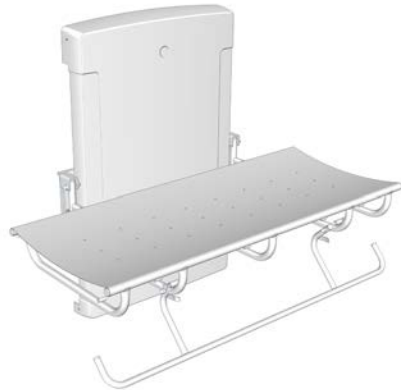
Support the shower table using your hand or body when folding it down, to avoid the risk of damage.

The built-in gas cylinders make it easy to fold the shower table up against the wall after use.

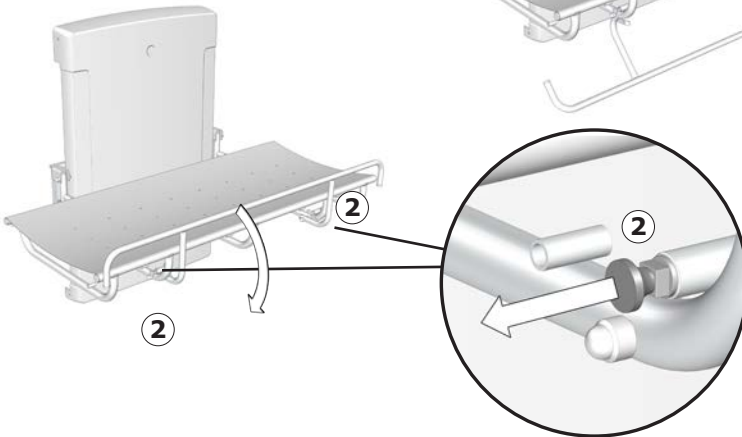


**Take care to avoid injury to hands when in the vicinity of closing mechanical parts ①.**

**To pull the safety rail up:** Swing the rail upwards from under the shower table. The safety rail will automatically lock into position.

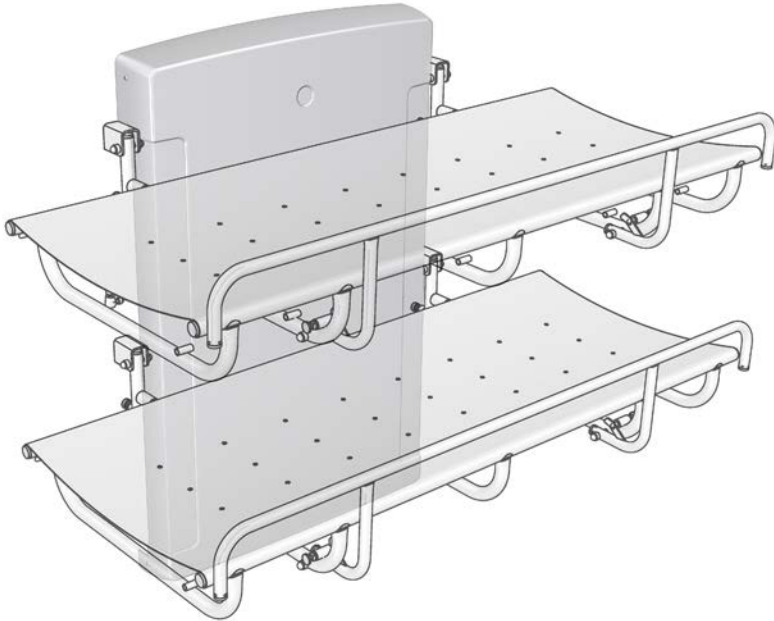


en



**To fold the safety rail away:** Release the two locks ② simultaneously and swing the safety rail down under the shower table.

# Height adjustment



When the shower table is installed at the recommended height, it can be adjusted between 480 and 880 mm ( 18.9" and 34.6" ) above the floor.

The height adjustment is controlled by the wired remote control unit.

Press and hold the Up button to raise the shower table, and press and hold the Down button to lower the shower table.



**Make sure that there is no objects under the shower table when operating the height adjustment system.**

# Cleaning

Clean the shower table after each use. Use ordinary soapy water. Rinse off with fresh water and dry with a soft cloth.

## IMPORTANT

- Do not use an autoclave or other type of steam cleaner.
- Avoid aggressive cleaning agents containing acids or chloride.
- Never spray the shower table directly with a high pressure cleaner.
- Avoid use of aggressive, abrasive, corrosive or chloride-based cleaning or disinfecting products.

## Disinfection

When using the shower table for multiple patients, it is necessary to both clean and disinfect the shower table between uses on different patients to prevent the risk of cross infection.

A list of suitable cleaning agents and disinfectants can be found at [www.pressalit.com](http://www.pressalit.com)

## CAUTION

Always read the material safety data sheet (MSDS) and supplied instructions of the cleaning, disinfecting or de-scaling agent and comply with instructions for safe use, dilution, rinsing, drying, handling and storage of the agent.

## NOTICE

If the product is installed in an atmosphere heavy in salt or chloride, the warranty will be reduced from the normal 3 years to 1 year.

Salt and chloride have a corrosive effect on the products components and will cause a decrease in the life expectancy of the product. The damaging effects can, however, be reduced if the product is showered with tap water on a daily basis.

# Maintenance

Expected service life of the shower table is 10 years, provided that maintenance is carried out as described below:

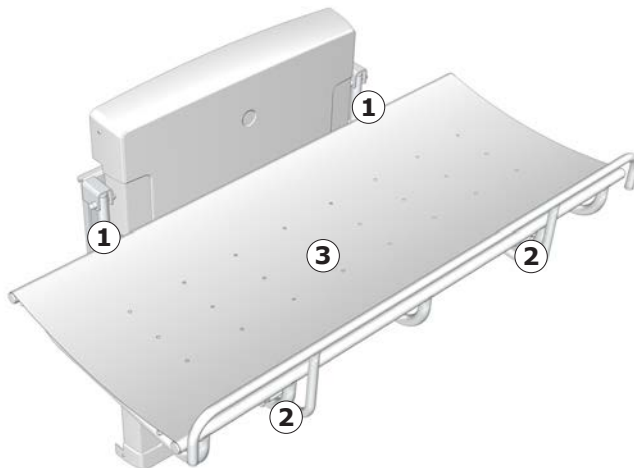
It is recommended on a weekly basis to run the motors on the product to their maximum positions by raising the shower table to its full height, and then lowering it to its lowest position, so that the internal parts are lubricated.

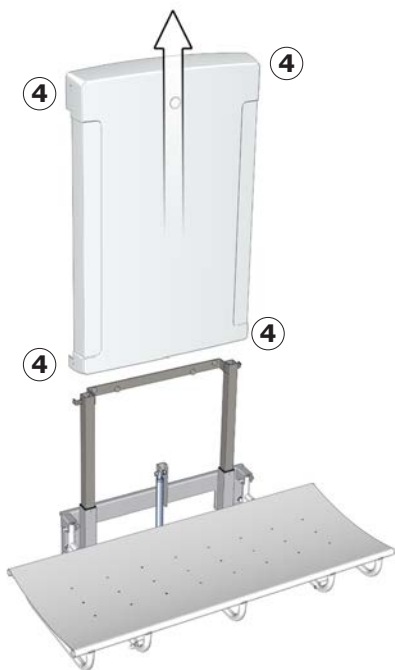
It is recommended that maintenance inspection is done once a year.



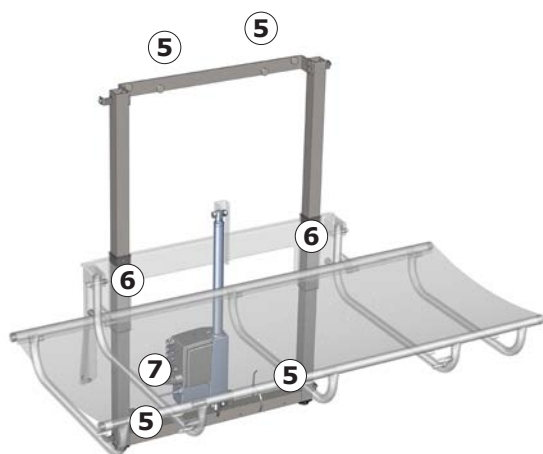
## Maintenance inspection

- Check the hinges ① on the shower table and the safety rail ② . Tighten if necessary.
- Check the canvas ③ for damage and replace if necessary.





- Remove the upper and lower retaining screws ④ on the cover and remove it carefully.



- Check the wall brackets ⑤ and tighten if necessary.
- Oil moving parts, especially the sliding brackets ⑥.
- Check all electrical connections to the control box ⑦.
- Put the unit cover back again and tighten the retaining screws.
- Reconnect mains.

# Trouble-shooting

Symptom	Cause	Action
The shower table does not stay in upright position.	The gas cylinders is defective.	Contact Pressalit or your local dealer.
The product will not work, even though the remote control is used correctly.	Fault in power supply.	Check that all wires and plugs are intact and correctly connected. Contact Pressalit or your local dealer.
The shower table runs up and down unevenly.	The sliding brackets are not properly lubricated.	Oil the sliding brackets as described under "Maintenance".

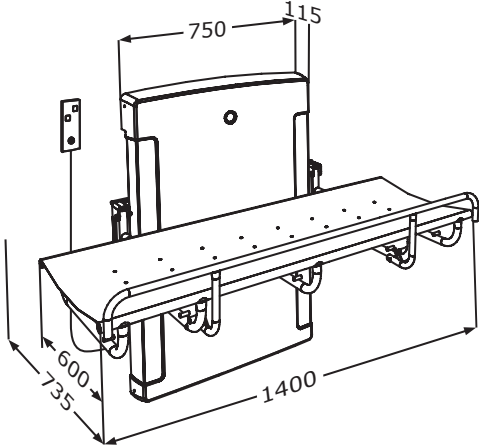
Contact Pressalit or your dealer if the problem cannot be remedied. Do not attempt to repair the product yourself, as this will invalidate the guarantee.

# Technical data

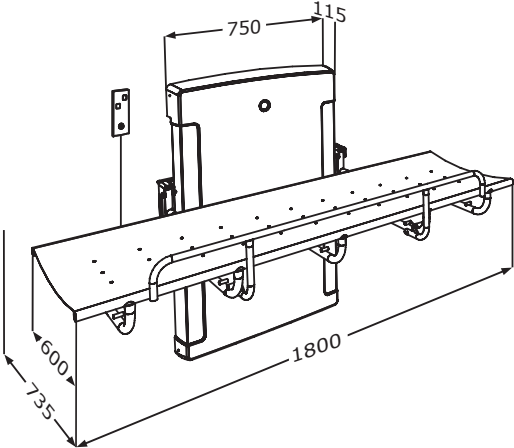
Max load	150 kg /330 lbs
Materials	Powder laquered stainless steel Plastics: PVC (canvas) Polystyrene (cover)
Weight	R8402: 44.46 kg, 98.01 lbs R8403: 45.92 kg, 101.23 lbs
IP class	The product has an ingress protection class rating of IPX6. The product may not be immersed in water, but is designed to withstand powerful jets (12.5 mm nozzle) of water from any direction.
<b>Power specifications</b>	
Max consumption	70 W
Voltage	Mains connection: 230V/120V/100V
Frequency	50/60 Hz
Current	0,3 A



# Dimensions (mm)



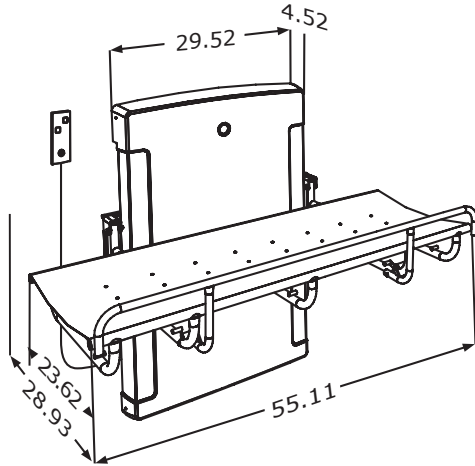
**R8402**



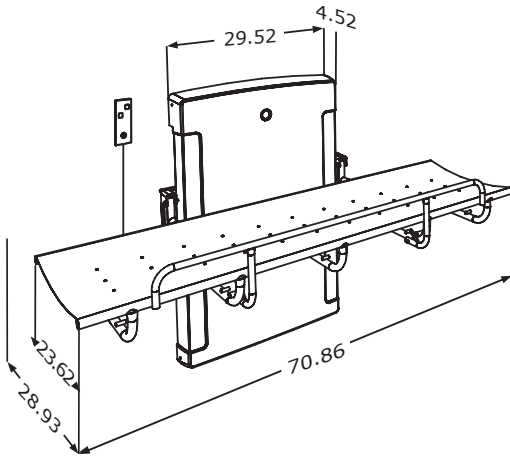
**R8403**

en

# Dimensions (inches)



**R8402**



**R8403**

en

# Disposal and recycling

The unit contains reusable materials. There are no known hazards or risks associated with disposal of the product. All components can be discarded after having been cleaned and disinfected.

When disposing of the product, we recommend that it be disassembled and broken down into different waste groups for recycling or combustion.

The following table provides information on the recycling and handling of the product.

<b>Recyclable components</b>	<b>Material</b>
Steel	Steel can be recycled by being re-melted and included as a secondary material in the production of new steel.
Plastics	Use plastic sorting and recycling systems where they are locally available, otherwise incinerating plastic has the added benefit of generating energy which can be used for, for example, combined heat and power production.
Electronics	The electronic components should be collected separately and returned to the designated recycling service.

en

# Indhold

Monteringsvejledning.....	20
Visuel guide.....	20
Symboler, der er anvendt i denne vejledning .....	21
Specifik sikkerhed .....	21
Generel sikkerhed .....	22
Produktmærkat .....	23
Tilsigtet brug .....	25
Tilsigtet brugerprofil .....	25
Tilsigtet brugerprofil .....	25
Betjeningsmiljø.....	25
Versioner .....	26
Betjeningsinstruktioner .....	27
Højderegulering.....	28
Rengøring .....	29
Desinfektion .....	29
Vedligeholdelse.....	30
Vedligeholdelsesinspektion .....	30
Fejlfinding.....	32
Tekniske data .....	33
Mål (mm).....	34
Bortskaffelse og genbrug .....	35

## Monteringsvejledning

dk



Der følger en monteringsvejledning med dette produkt. Den kan også downloades fra [www.pressalit.com](http://www.pressalit.com).

## Visuel guide



Der følger en visuel guide med produktet. Den kan også downloades fra [www.pressalit.com](http://www.pressalit.com).

# Symboler, der er anvendt i denne vejledning

Følgende symboler er anvendt i denne vejledning og i den tilhørende dokumentation, der følger med produktet.



**ADVARSEL** angiver en potentielt farlig situation, som, hvis den ikke undgås, kan medføre dødsfald eller alvorlig personskade.



**FORSIGTIG** angiver en potentielt farlig situation, som, hvis den ikke undgås, kan medføre større eller mindre personskade. Det kan også bruges til at advare om usikre fremgangsmåder.



**VIGTIGT** angiver vigtige oplysninger om håndtering og anvendelse af produktet.



**BEMÆRK** vedrører fremgangsmåder, der ikke er forbundet med personlig sikkerhed.



Advarsel om  
håndskade.



Elektricitet eller potentielt  
farlig spænding.



Advarsel om  
hovedskade.

dk

## Specifik sikkerhed



- En person må aldrig efterlades på bruselejet uden opsyn.
- Vær altid forsigtig, når en person flyttes til og fra bruselejet.

## Generel sikkerhed

### **ADVARSEL**

- Læs og forstå hele vejledningen før brug. Opbevar vejledningen tæt på produktet.
- Følg denne vejledning for at undgå uheld og alvorlig personskade.
- Dette produkt må aldrig bruges eller håndteres på anden måde end som angivet i denne vejledning, da dette vil kunne udgøre en risiko for din sikkerhed og beskadige produktet.
- Sørg for, at alle, der installerer eller bruger dette produkt og dets systemer, har de nødvendige oplysninger samt adgang til denne vejledning.

### **FORSIGTIG**

- Følg disse instruktioner for at undgå, at produktet beskadiges eller ødelægges.
- Der må ikke foretages reparationer, demonteringer, samlinger, udvidelser, tilpasninger eller ændringer på dette produkt. Dette må kun udføres af Pressalit eller af personer, som er autoriseret af Pressalit.
- Lad ikke børn betjene dette produkt uden opsyn. Produktet er ikke beregnet til leg.
- Produktet må ikke benyttes, hvis det er defekt eller beskadiget. Et defekt produkt må ikke anvendes, før det er repareret.

### **BEMÆRK**

- Oplysningerne i denne vejledning er baseret på korrekt justering af produktet i overensstemmelse med vores monteringsvejledning.
- Pressalit kan ikke holdes ansvarlig, hvis produktet bruges på andre måder end som beskrevet i vejledningen.
- Vi forbeholder os ret til ændre denne vejledning uden forudgående varsel.



⑩ IP-klasse

---

⑪ GS1-128-stregkode

---

⑫ Fabrikantens navn og adresse

---

⑬ Se brugsvejledningen

---

⑭ Se vigtige advarende oplysninger, som f.eks. advarsler og sikkerhedsforanstaltninger, i vejledningen.

---

⑮ Driftscyklus

---

⑯ Type B anvendt del. Dele af produktet vil under normal anvendelse nødvendigvis komme i fysisk kontakt med patienten. Produktet opfylder kravene i IEC 60601-1 for at beskytte mod elektrisk stød.

---

⑰ Må ikke bortskaffes som usorteret husholdningsaffald. Produktet skal indsamles særskilt og afleveres på den relevante genbrugsstation.

---

⑱ Produktvægt

---

⑲ Batchkode

---

⑳ Dette produkt indeholder ikke nogen af de farlige stoffer, der er nævnt i Rådets direktiv 2011/65/EF om RoHS.

---

Disse produkter er CE-mærket i overensstemmelse med relevante krav i:

- ⑳ - Rådets forordning (EU) 2017/745 (af 5. april 2017) om medicinsk udstyr.  
- Maskindirektivet 2006/42/EØF (af 17. maj 2006).  
- RoHS-direktivet 2011/65/EU (af 8. juni 2011).

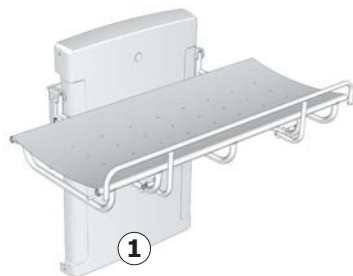
Der findes en overensstemmelseserklæring på [www.pressalit.com](http://www.pressalit.com).

---

㉑ Strømstyrke



Placering af produktmærkat ①.



## Tilsligtet brug

Dette produkt er beregnet til vaske en person, som ikke kan stå op eller sidde ned. Personen ligger vandret på lejet.

### Tilsligtet brugerprofil

Produktet skal bruges af personale, der er uddannet inden for sundhedsplejen og trænet i at vaske en person.

### Tilsligtet brugerprofil

Produktet kan anvendes af alle – voksne, børn, unge og gamle, hvis vægt ikke overstiger den **maksimal belastning på 150 kg**.

### Betjeningsmiljø

Til indendørs brug i våde omgivelser, som f.eks. et badeværelse eller vaskerum. Produktet skal anvendes ved stuetemperatur, i private hjem, på plejehjem og hospitaler under normale arbejdsforhold.

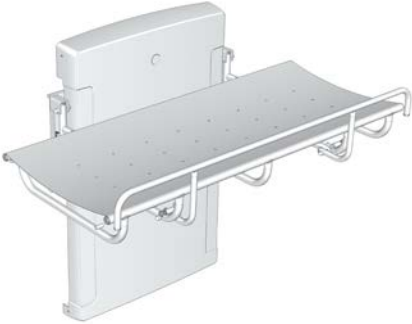
 **FORSIGTIG**

Produktets overflade kan blive varm og/eller kold, hvis den udsættes for eksterne varme- eller kuldekilder (f.eks. sollys eller frost).

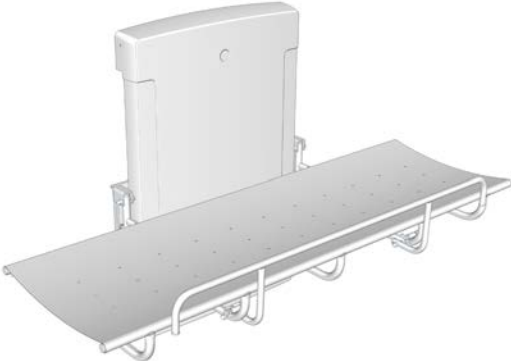
**BEMÆRK**

Enhver alvorlig hændelse, der er indtruffet i forbindelse med produktet, bør indberettes til fabrikanten og sundhedsmyndighederne.

# Versioner



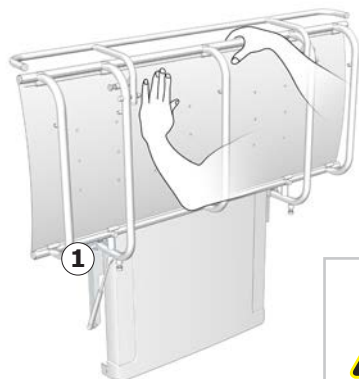
R8402



R8403

dk

# Betjeningsinstruktioner



Støt bruselejet med hånd eller krop, når den skal foldes ned, for at undgå risikoen for skader.

De indbyggede gascylindere gør det let at folde bruselejet op mod væggen efter brug.

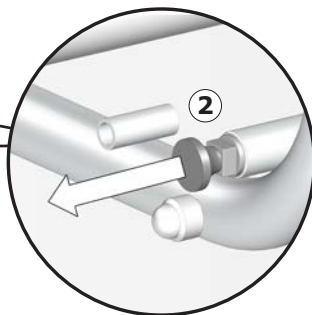
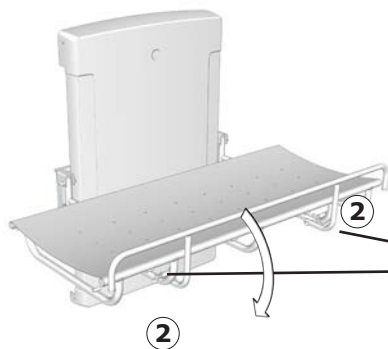


**Udvis forsigtighed for at undgå skader på hænderne, når disse er i nærheden af lukkende mekaniske dele ①.**

**Sengehesten slås op på denne måde:** Sving sengehesten opad fra undersiden af bruselejet. Sengehesten låses automatisk fast.

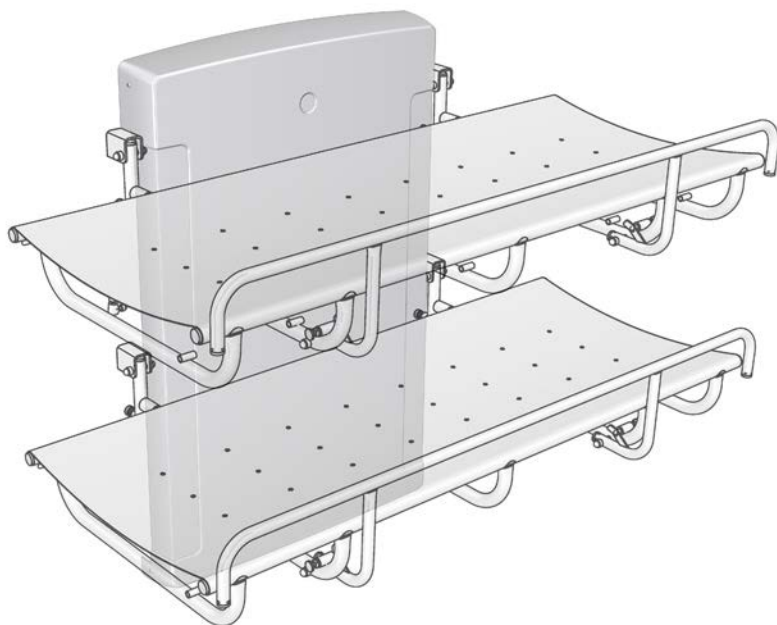


dk



**Sådan foldes sengehesten væk:** Frigør de to låse ② samtidigt, og sving sengehesten ned under bruselejet.

# Højderegulering



Når bruselejet er installeret i den anbefalede højde, kan den justeres til mellem 480 og 880 mm over gulvet.

Højdejusteringen styres af håndbetjeningen.

Tryk på pil op-knappen, og hold den inde for at hæve bruselejet, og tryk på pil ned-knappen, og hold den inde for at sænke lejet.



**Sørg for, at der ikke ligger genstande under bruselejet ved højdejustering.**

# Rengøring

Rengør bruselejet efter hver brug. Brug almindeligt sæbevand. Skyl efter med rent vand, og tør med en blød klud.

## VIGTIGT

- Brug ikke autoklaving eller en anden form for damprens.
- Undgå stærke rengøringsmidler, der indeholder syre eller klorid.
- Sprøjt aldrig bruselejet direkte med en højtryksrens.
- Undgå brug af stærke, slibende, ætsende eller kloridbaserede rengørings- eller desinfektionsmidler.

## Desinfektion

Når bruselejet benyttes til flere patienter, er det nødvendigt både at rengøre og desinficere bruselejet mellem de forskellige patienter for at forhindre risikoen for krydsinfektion.

Der findes en liste over passende rengøringsmidler og desinfektionsmidler på [www.pressalit.com](http://www.pressalit.com)

## FORSIGTIG

Læs altid sikkerhedsdatabladet (MSDS) og de instruktioner, der følger med rengørings-, desinfektions- eller afkalkningsmidlet, og følg instruktionerne for sikker brug, fortynding, skylning, tørring, håndtering og opbevaring af midlet.

dk

## BEMÆRK

Hvis produktet er installeret i omgivelser med salt eller klorid, reduceres garantien fra de normale 3 år til 1 år.

Salt og klorid kan have en ætsende virkning på produktets komponenter og vil nedsætte produktets forventede levetid. De skadelige virkninger kan dog reduceres, hvis produktet dagligt bruges over med vand fra hanen.

# Vedligeholdelse

Den forventede levetid for bruselejet er 10 år, forudsat at vedligeholdelsen udføres som beskrevet nedenfor:

Det anbefales at køre motorerne på produktet til deres maksimale position én gang om ugen ved at hæve bruselejet til dens fulde højde og derefter sænke den til dens laveste position, så de indvendige dele smøres.

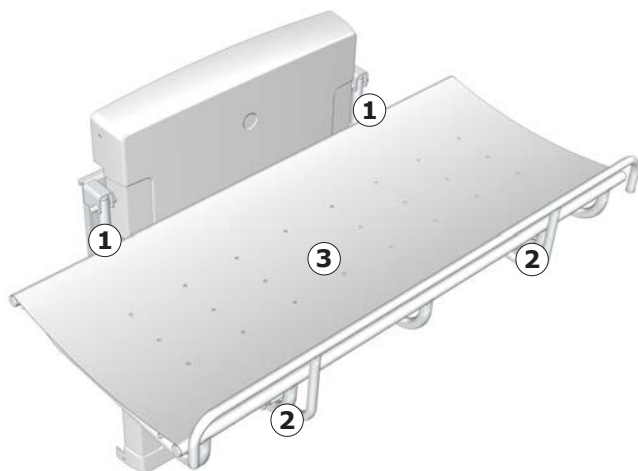
Det anbefales, at der udføres vedligeholdelsesinspektion en gang om året.

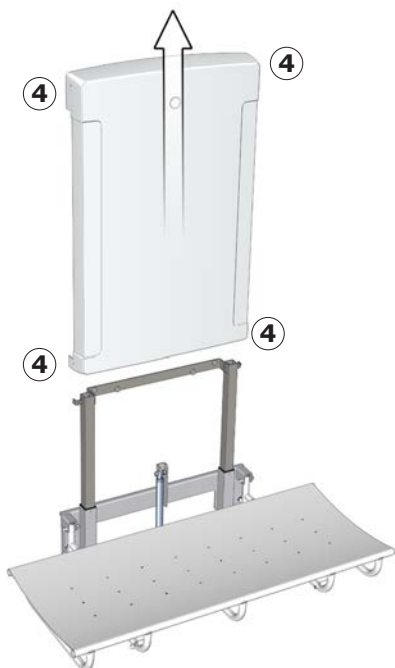


**Frakobl netstrømsforsyningen,  
før afskærmningerne tages af.**

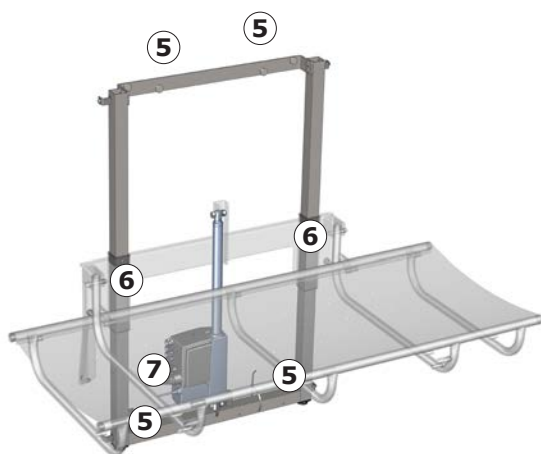
## Vedligeholdelsesinspektion

- Kontrollér hængslerne ① på bruselejet og sengehesten ②. Stram dem om nødvendigt.
- Kontrollér dugen ③ for skader, og udskift den om nødvendigt.





- Fjern de øverste og nederste monteringskrue ④ på afskærmningen, og fjern den forsigtigt.



- Kontrollér vægbeslagene ⑤, og tilspænd dem om nødvendigt.
- Smør de bevægelige dele og især glidebeslagene ⑥ med smøremiddel.
- Kontrollér alle de elektriske forbindelser til kontrolboksen ⑦.
- Sæt løfteenhedens afdækning på igen, og stram monteringskrue.
- Gentilslut netstrømforsyningen.

## Fejlfinding

Symptom	Årsag	Handling
Bruselejet forbliver ikke i oprejst stilling.	Gascylinderne er defekte.	Kontakt Pressalit eller din lokale forhandler.
Produktet fungerer ikke, selvom håndbetjeningen anvendes korrekt.	Fejl i strømforsyningen.	Kontrollér, at alle kabler og stik er intakte og korrekt tilsluttet. Kontakt Pressalit eller din lokale forhandler.
Bruselejet kører ujævnt op og ned.	Glidebeslagene er ikke smurt tilstrækkeligt.	Smør glidebeslagene som beskrevet under "Vedligeholdelse".

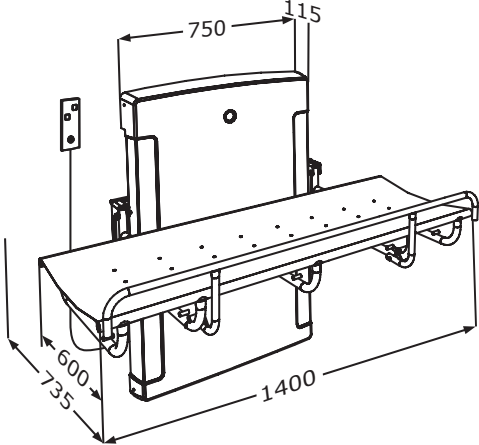
Kontakt Pressalit eller din forhandler, hvis problemet ikke kan løses. Forsøg ikke selv at reparere produktet, da dette vil ugyldiggøre garantien.



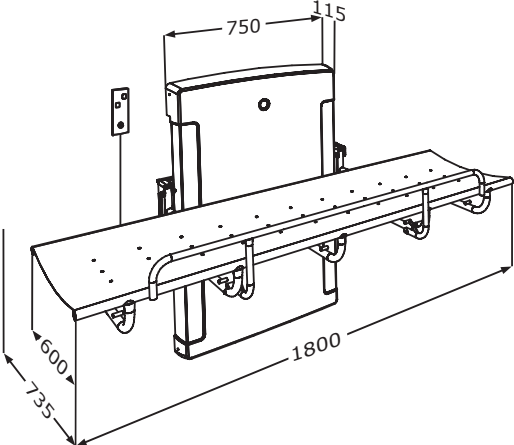
## Tekniske data

Maksimal belastning	150 kg
Materialer	Pulverlakeret rustfrit stål Kunststof: PVC (lejedug) Polystyren (afskærmning)
Vægt	R8402: 44,46 kg R8403: 45,92 kg
IP-klasse	Produktet har kapslingsgradsklassificeringen IPX6. Produktet må ikke nedsænkes i vand, men det er udviklet til at modstå kraftige vandstråler (12,5 mm dyse) fra en hvilken som helst retning.
<b>Elektriske specifikationer</b>	
Maks. forbrug	70 W
Spænding	Netstrømsforsyning: 230V/120V/100V
Frekvens	50/60 Hz
Strøm	0,3 A

Mål (mm)



**R8402**



**R8403**

dk

## Bortskaffelse og genbrug

Produktet indeholder genbrugelige materialer. Der er ingen kendte farer eller risici forbundet med bortskaffelse af produktet. Alle komponenter kan bortskaffes efter at være blevet rengjort og desinficeret.

Ved bortskaffelse af produktet anbefales det, at det skilles ad og inddeles i forskellige affaldsgrupper til genbrug eller forbrænding.

Følgende tabel indeholder oplysninger om genbrug og håndtering af produktet.

<b>Genanvendelige komponenter</b>	<b>Materiale</b>
Stål	Stål kan genbruges ved hjælp af omsmeltning og anvendes som sekundært materiale i produktionen af nyt stål.
Kunststof	Brug plastiksorings- og genbrugssystemer, hvis de er tilgængelige i lokalområdet, og ellers har forbrænding af plastik den ekstra fordel, at det genererer energi, hvilket kan anvendes til f.eks. en kombination af varme- og kraftproduktion.
Elektronik	De elektroniske komponenter skal indsamles særskilt og afleveres på den relevante genbrugsstation.

# Inhalt

Montageanleitung .....	36
Kurzanleitung in Bildern .....	36
Symbole in dieser Gebrauchsanweisung .....	37
Besondere Sicherheitshinweise .....	37
Allgemeine Sicherheitshinweise .....	38
Typenschild .....	39
Verwendungszweck .....	41
Vorgesehene Bediener .....	41
Vorgesehene Patienten .....	41
Betriebsbedingungen .....	41
Ausführungen .....	42
Bedienungsanleitung .....	43
Höhenverstellung .....	44
Reinigung .....	45
Desinfektion .....	45
Wartung .....	46
Wartungsinspektion .....	46
Fehlerbehebung .....	48
Technische Daten .....	49
Maße (in mm) .....	50
Entsorgung und Wiederverwertung .....	51

## Montageanleitung



Dem Produkt ist eine Montageanleitung beigelegt. Diese kann auch von der Website [www.pressalit.com](http://www.pressalit.com) heruntergeladen werden.

de

## Kurzanleitung in Bildern



Diesem Produkt ist eine Kurzanleitung in Bildern beigelegt. Diese kann auch von der Website [www.pressalit.com](http://www.pressalit.com) heruntergeladen werden.

# Symbole in dieser Gebrauchsanweisung

Die folgenden Symbole werden sowohl in dieser Gebrauchsanweisung als auch in der mit dem Produkt mitgelieferten Dokumentation verwendet.



**WARNUNG** weist auf zu vermeidende Gefahrensituationen hin, die zum Tod oder zu schwerwiegenden Verletzungen führen können.



**VORSICHT** weist auf zu vermeidende Gefahrensituationen hin, die zu geringfügigen oder mittelschweren Verletzungen führen können. Es kann auch zur Warnung vor unsicheren Verfahren dienen.



**WICHTIG** weist auf wichtige Informationen zur Handhabung und Verwendung des Produkts hin.



**HINWEIS** kennzeichnet Verfahren und Informationen, ohne dass Verletzungsgefahr besteht.



Warnung:  
Verletzungsgefahr  
für die Hände



Elektrizität oder potenziell  
gefährliche Spannung.



Warnung: Gefahr von  
Kopfverletzungen

## Besondere Sicherheitshinweise



- Lassen Sie niemals eine Person unbeaufsichtigt auf der Liege.
- Gehen Sie immer vorsichtig vor, wenn Sie eine Person auf die Liege und von der Liege heben.

# Allgemeine Sicherheitshinweise

## **WARNUNG**

- Lesen Sie vor Verwendung des Produkts die Gebrauchsanweisung vollständig durch. Bewahren Sie die Gebrauchsanweisung in der Nähe des Produkts auf.
- Befolgen Sie diese Gebrauchsanweisung, um schwerwiegende Verletzungen zu vermeiden.
- Verwenden und handhaben Sie dieses Produkt ausschließlich wie in dieser Gebrauchsanweisung beschrieben. Anderenfalls besteht Verletzungsgefahr für den Anwender oder die Gefahr von Schäden am Produkt.
- Stellen Sie sicher, dass alle Personen, die dieses Produkt und seine Komponenten installieren oder verwenden, über die notwendigen Informationen verfügen und Zugang zu dieser Gebrauchsanweisung haben.

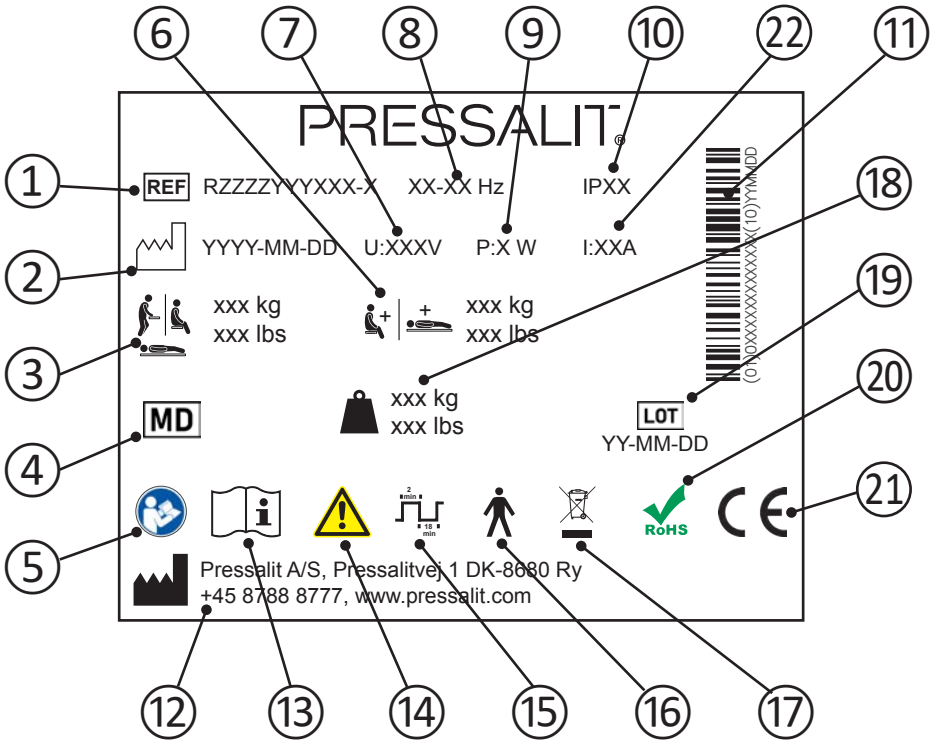
## **VORSICHT**

- Befolgen Sie diese Anweisungen, um Schäden am Produkt zu vermeiden.
- Nehmen Sie keine Reparaturen, Montagen, Erweiterungen, Anpassungen oder Veränderungen am Produkt vor und zerlegen Sie es nicht. Diese Arbeiten dürfen ausschließlich von Pressalit-Mitarbeitern oder von anderen, durch Pressalit autorisierten Personen durchgeführt werden.
- Lassen Sie niemals Kinder unbeaufsichtigt dieses Produkt bedienen. Das Produkt darf nicht als Spielzeug verwendet werden.
- Verwenden Sie das Produkt niemals, wenn es defekt oder beschädigt ist. Verwenden Sie ein defektes Produkt erst wieder, nachdem es repariert wurde.

## **HINWEIS**

- Die Informationen in dieser Gebrauchsanweisung setzen den korrekten Einbau des Produkts gemäß unserer Montageanweisung voraus.
- Pressalit haftet nicht, wenn das Produkt anders als in dieser Gebrauchsanweisung beschrieben verwendet wird.
- Änderungen vorbehalten.

# Typenschild



- ① Artikelnummer

---

- ② Herstellungsdatum

---

- ③ Maximales Gewicht des Anwenders

---

- ④ Medizinprodukt

---

- ⑤ Gebrauchsanweisung beachten.

---

- ⑥ Maximale Belastbarkeit

---

- ⑦ Netzspannung

---

- ⑧ Frequenz

---

- ⑨ Maximale Leistungsaufnahme

de

⑩ IP-Klasse

---

⑪ GS1-128-Barcode

---

⑫ Name und Anschrift des Herstellers

---

⑬ Gebrauchsanweisung beachten.

---

⑭ Wichtige Sicherheitshinweise und Vorsichtsmaßnahmen in der Gebrauchsanweisung beachten.

---

⑮ Betriebszyklus

---

⑯ Teil mit Patientenkontakt, Typ B. Ein Teil des Produkts kommt bei normalem Gebrauch notwendigerweise in physischen Kontakt mit dem Patienten, um seine vorgesehene Funktion zu erfüllen. Das Gerät entspricht den Anforderungen der IEC 60601-1 zum Schutz vor elektrischem Schlag.

---

⑰ Nicht als Hausmüll entsorgen. Das Produkt muss separat entsorgt und der entsprechenden Wiederverwertung zugeführt werden.

---

⑱ Gewichtangabe

---

⑲ Chargennummer

---

⑳ Dieses Produkt enthält keinen der in der Richtlinie 2011/65/EG des Rates zu RoHS genannten Gefahrstoffe.

---

Diese Produkte sind CE-gekennzeichnet gemäß den einschlägigen Anforderungen in:

- ⑳
- Verordnung (EU) 2017/745 (5 April 2017) über Medizinprodukte.
  - Der Maschinenrichtlinie 2006/42/EG (17 Mai 2006).
  - Der RoHS-Richtlinie 2011/65/EG (8 Juni 2011).

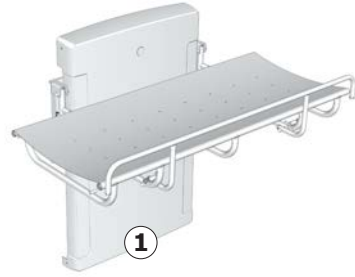
Eine Konformitätserklärung kann unter [www.pressalit.com](http://www.pressalit.com) eingesehen werden.

---

㉒ Elektrischer Strom



Position der Typenschilder ①.



## Verwendungszweck

Das Gerät ist zum Duschen von Personen vorgesehen, die nicht stehen oder sitzen können. Die Person liegt dabei waagrecht auf der Liege.

### Vorgesehene Bediener

Das Gerät ist für die Bedienung durch Personen vorgesehen, die in der medizinischen Pflege und im Waschen von ihnen betreuter Personen geschult sind.

### Vorgesehene Patienten

Das Produkt kann von Erwachsenen und Kindern jeden Alters genutzt werden, deren Körpergewicht die **maximale Belastbarkeit von 150 kg** nicht überschreitet.

### Betriebsbedingungen

Zum Gebrauch in Nassräumen wie Badezimmern oder Waschräumen. Das Gerät ist zur Verwendung bei Zimmertemperatur in Privathaushalten, Pflegeeinrichtungen und Krankenhäusern unter normalen Arbeitsbedingungen vorgesehen.

## **VORSICHT**

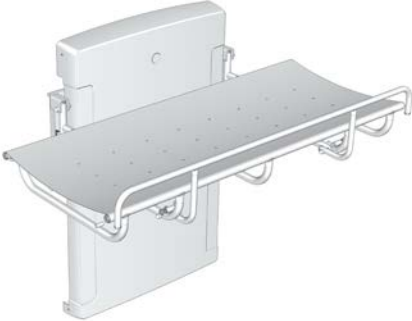
Die Oberfläche des Produkts kann sich stark erhitzen bzw. abkühlen, wenn sie externen Wärme- bzw. Kältequellen ausgesetzt ist (z. B. Sonne oder Frost).

## **HINWEIS**

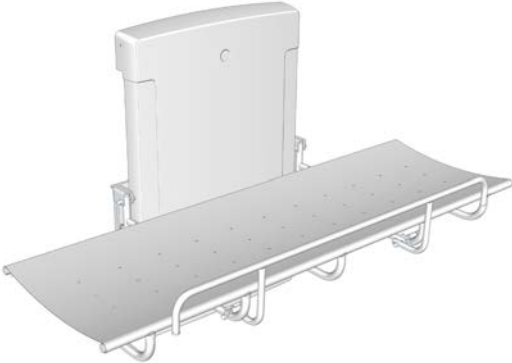
Jeder schwerwiegende Vorfall im Zusammenhang mit dem Produkt sollte dem Hersteller und den Gesundheitsbehörden gemeldet werden.

de

# Ausführungen



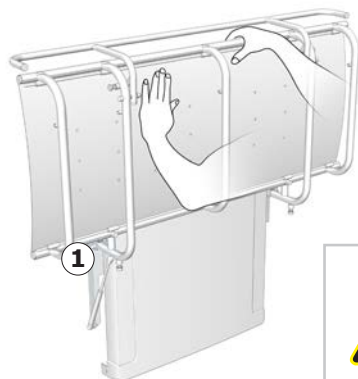
R8402



R8403

de

# Bedienungsanleitung



Stützen Sie die Liege beim Herunterklappen mit der Hand oder dem Körper ab, um Beschädigungen zu vermeiden.

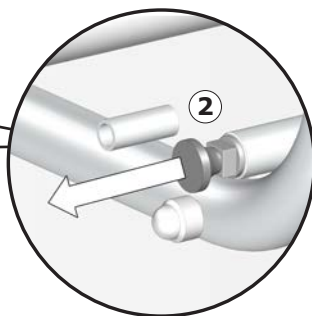
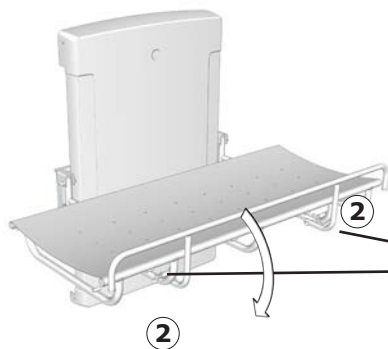
Die eingebauten Gasdruckzylinder erleichtern nach dem Gebrauch das Hochklappen der Liege an die Wand.



**Gehen Sie in der Nähe schließender mechanischer Teile vorsichtig vor, da hier die Gefahr von Verletzungen der Hände besteht ①.**

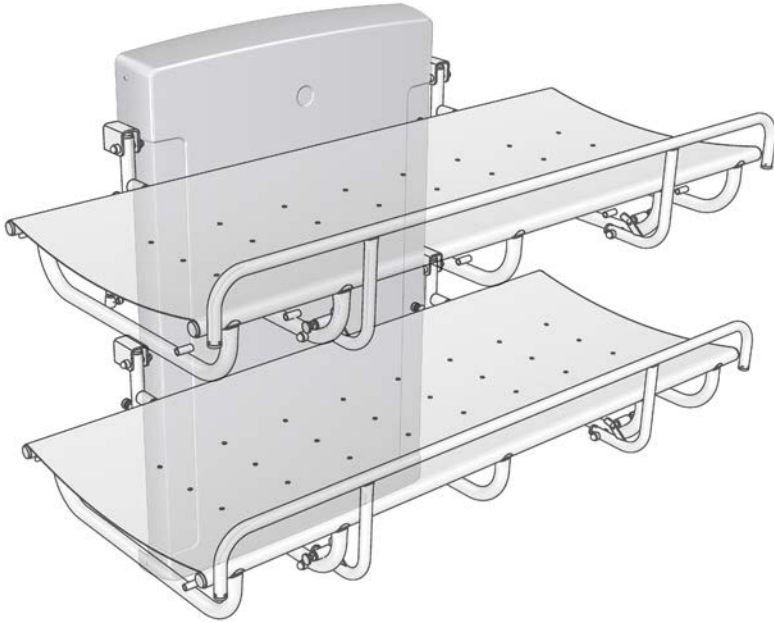
## Hochziehen des Seitengitters:

Klappen Sie das unter der Liege befindliche Gitter nach oben. Das Seitengitter rastet von selbst ein.



**Herunterklappen des Seitengitters:** Lösen Sie gleichzeitig die beiden Arretierungen ② und klappen Sie das Gitter herunter.

# Höhenverstellung



Wenn die Liege in der empfohlenen Höhe befestigt wird, kann sie um 48 bis 88 cm in der Höhe verstellt werden.

Die Höhenverstellung erfolgt über die kabelgebundene Fernbedienung.

Halten Sie zum Hochfahren der Liege die Taste „Auf“ und zum Absenken der Liege die Taste „Ab“ gedrückt.



**Stellen Sie sicher, dass sich keine Gegenstände unter der Duschiege befinden, wenn Sie die Höhenverstellung betätigen.**

# Reinigung

Reinigen Sie die Duschielie nach jedem Gebrauch. Verwenden Sie dazu normales Seifenwasser. Spülen Sie danach mit klarem Wasser ab und trocknen Sie mit einem weichen Tuch.

## WICHTIG

- Verwenden Sie keinen Autoklaven oder eine andere Art von Dampfreiniger.
- Verwenden Sie keine aggressiven säure- und chlorhaltigen Reinigungsmittel.
- Richten Sie niemals einen Hochdruckreiniger direkt auf die Duschielie.
- Verwenden Sie keine aggressiven, scheuernden, korrosiven oder chlorhaltigen Reinigungs- oder Desinfektionsmittel.

## Desinfektion

Wenn die Duschielie von mehreren Patienten genutzt wird, muss sie nach jedem Patienten gereinigt und desinfiziert werden, um Infektionen zu vermeiden.

Eine Liste geeigneter Reinigungs- und Desinfektionsmittel finden Sie unter [www.pressalit.com](http://www.pressalit.com).

## VORSICHT

Lesen Sie immer das Material Sicherheitsdatenblatt und die Gebrauchsanweisung des verwendeten Reinigungsmittels, Desinfektionsmittels oder Entkalkers, und befolgen Sie die Anweisungen zu sicherem Gebrauch, Verdünnung, Abspülen, Trocknen, Handhabung und Lagerung.

## HINWEIS

Wenn das Produkt in einer Umgebung mit hohem Salz- oder Chloridgehalt der Luft installiert wird, verkürzt sich der Garantiezeitraum von 3 Jahren auf 1 Jahr.

Salze wie Chloride wirken korrosiv auf die Komponenten des Produkts und verkürzen dadurch dessen Lebensdauer. Die schädliche Wirkung kann jedoch verringert werden, wenn das Gerät täglich mit Leitungswasser abgespült wird.

# Wartung

Die erwartete Nutzungsdauer der Duschliege beträgt 10 Jahre, wenn die Liege wie nachstehend beschrieben gewartet wird.

Es wird empfohlen, die Motoren einmal pro Woche in die Extrempositionen zu bringen, damit die internen Bauteile geschmiert werden. Hierzu die Liege auf die maximale Höhe hochfahren und dann auf die niedrigste Höhe herunterfahren.

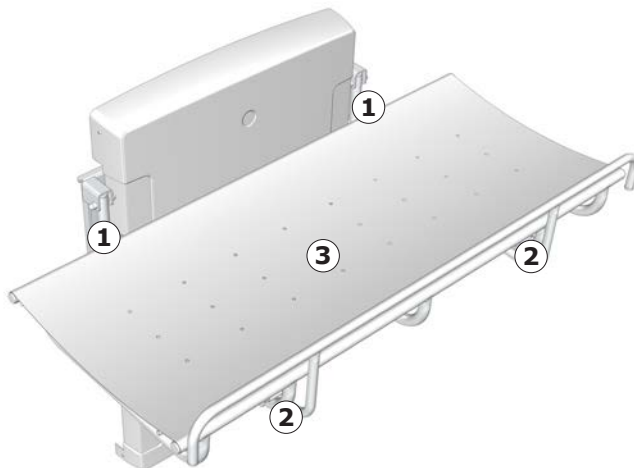
Es wird empfohlen, einmal im Jahr eine Wartungsinspektion durchzuführen.

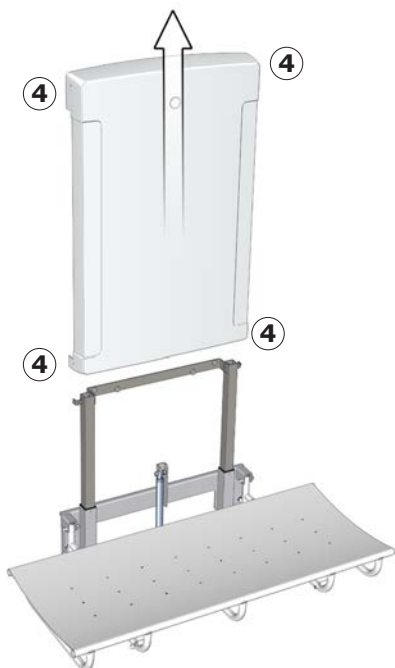


**Ziehen Sie den Netzstecker, bevor Sie die Abdeckungen abnehmen.**

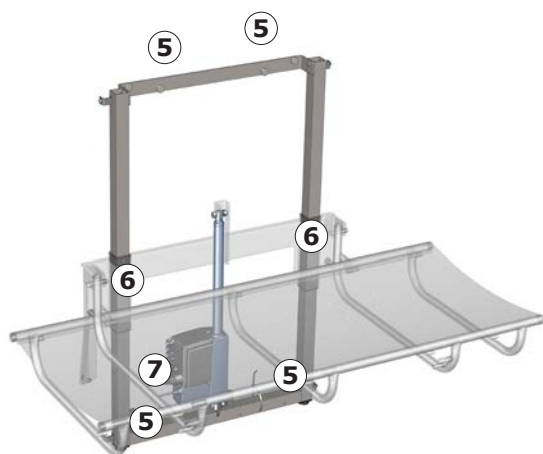
## Wartungsinspektion

- Überprüfen Sie die Scharniere ① an der Liege und am Seitengitter ②. Ziehen Sie sie bei Bedarf fest.
- Überprüfen Sie die Bespannung ③ auf Schäden und ersetzen Sie sie, falls erforderlich.





- Entfernen Sie die oberen und unteren Befestigungsschrauben ④ an der Abdeckung, und nehmen Sie sie vorsichtig ab.



- Überprüfen Sie die Wandhalterungen ⑤ und ziehen Sie sie bei Bedarf fest.
- Schmieren Sie bewegliche Teile, insbesondere die Gleithalterungen ⑥.
- Überprüfen Sie alle elektrischen Verbindungen zum Schaltkasten ⑦.
- Bringen Sie die Abdeckung der Hubeinheit wieder an und ziehen Sie die Schrauben fest.
- Schließen Sie den Netzstecker wieder an.

# Fehlerbehebung

<b>Problem</b>	<b>Ursache</b>	<b>Abhilfe</b>
Die Duschliege bleibt nicht in der hochgeklappten Position.	Der Gasdruckzylinder ist defekt.	Wenden Sie sich an Pressalit A/S oder Ihren Händler vor Ort.
Die Liege lässt sich nicht bewegen, obwohl die Fernbedienung korrekt bedient wird.	Defekt in der Stromversorgung.	Überprüfen Sie, ob alle Kabel und Stecker intakt und richtig angeschlossen sind. Wenden Sie sich an Pressalit A/S oder Ihren Händler vor Ort.
Die Liege ruckelt beim Auf- und Abwärtsfahren.	Die Gleithalterungen sind nicht richtig geschmiert.	Schmieren Sie die Gleithalterungen wie unter „Wartung“ beschrieben.

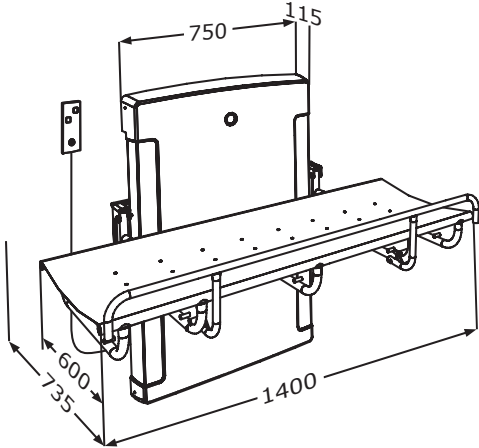
Falls sich das Problem nicht beheben lässt, wenden Sie sich an Pressalit oder Ihren Händler. Versuchen Sie nicht, das Produkt selbst zu reparieren, da hierdurch die Garantie erlischt.



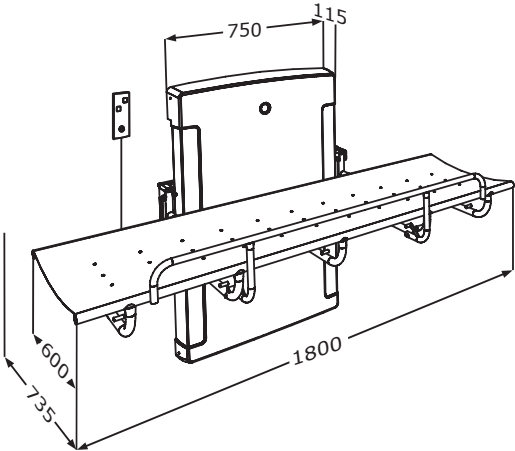
# Technische Daten

Maximale Belastbarkeit	150 kg
Materialien	Edelstahl, pulverbeschichtet Kunststoff: PVC (Bespannung) Polystyrol (Abdeckung)
Gewicht	R8402: 44,46 kg R8403: 45,92 kg
IP-Klasse	Das Gerät hat die Schutzart IPX6. Das Gerät darf nicht in Wasser eingetaucht werden, es ist jedoch gegen starken Wasserstrahl (12,5-mm-Düse) aus jeglicher Richtung geschützt.
<b>Leistungsdaten</b>	
Max. Verbrauch	70 W
Spannung	Netzanschluss: 230V/120V/100V
Frequenz	50/60 Hz
Stromstärke	0,3 A

**Maße (in mm)**



**R8402**



**R8403**

de

# Entsorgung und Wiederverwertung

Das Produkt enthält wiederverwertbare Materialien. Die Entsorgung des Produkts ist mit keinen bekannten Gefahren oder Risiken verbunden. Alle Komponenten können entsorgt werden, nachdem sie gereinigt und desinfiziert wurden.

Wir empfehlen, das Produkt zur Entsorgung zu zerlegen und in die verschiedenen Abfallfraktionen für die Wiederverwertung oder Verbrennung zu trennen.

Die folgende Tabelle enthält weitere Angaben zur Wiederverwertung und Entsorgung des Produkts.

<b>Wiederwertbare Komponenten</b>	<b>Material</b>
Stahl	Stahl kann durch Einschmelzen wiederverwertet werden und als Sekundärmaterial in die Produktion von Neustahl einfließen.
Kunststoff	Nutzen Sie die örtlich verfügbaren Trenn- und Recyclingsysteme. Ansonsten hat die Verbrennung von Kunststoff den zusätzlichen Vorteil, dass dabei Energie erzeugt wird, die beispielsweise für die kombinierte Erzeugung von Wärme und Strom genutzt werden kann.
Elektronik	Die elektronischen Komponenten müssen separat entsorgt und der entsprechenden Wiederverwertung zugeführt werden.

# Sommaire

Notice de montage.....	52
Signalétique opérationnelle.....	52
Symboles utilisés dans ce manuel.....	53
Mesures de sécurité spécifiques.....	53
Mesures de sécurité générales.....	54
Étiquette du produit.....	55
Usage prévu.....	57
Profil d'opérateur prévu.....	57
Profil d'utilisateur prévu.....	57
Environnement d'exploitation.....	57
Modèles.....	58
Mode d'emploi.....	59
Réglage en hauteur.....	60
Nettoyage.....	61
Désinfection.....	61
Maintenance.....	62
Contrôle d'entretien.....	62
Dépannage.....	64
Données techniques.....	65
Dimensions (mm).....	66
Mise au rebut et recyclage.....	67

## Notice de montage



Une notice de montage est incluse avec le produit. Elle est également téléchargeable sur le site [www.pressalit.com](http://www.pressalit.com).

fr

## Signalétique opérationnelle



Une signalétique opérationnelle est incluse avec le produit. Elle est également téléchargeable sur le site [www.pressalit.com](http://www.pressalit.com).

## Symboles utilisés dans ce manuel

Les symboles suivants sont utilisés dans ce manuel et la documentation associée fournie avec le produit.



### AVERTISSEMENT

**AVERTISSEMENT** indique une situation potentiellement dangereuse susceptible d'entraîner la mort ou de graves blessures si elle n'est pas évitée.



### ATTENTION

**ATTENTION** indique une situation potentiellement dangereuse susceptible d'entraîner des blessures légères ou modérées si elle n'est pas évitée. Peut également être utilisé pour mettre en garde contre des pratiques dangereuses.

### IMPORTANT

**IMPORTANT** indique des informations importantes sur la manipulation et l'utilisation du produit.

### REMARQUE

**REMARQUE** est utilisé pour aborder des pratiques non associées à la sécurité personnelle.



Avertissement de risque de blessure à la main.



Électricité ou tension potentiellement dangereuse.



Avertissement de risque de blessure de la tête.

fr

## Mesures de sécurité spécifiques



### ATTENTION

- Ne jamais laisser une personne couchée sur la table sans surveillance.
- Il est nécessaire de toujours être vigilant lorsque l'on monte et descend une personne de la table.

## Mesures de sécurité générales



### **AVERTISSEMENT**

- Il est nécessaire de lire et de comprendre le manuel dans son intégralité avant d'utiliser le produit. Conserver le manuel près de l'unité.
- Respecter les instructions de ce manuel pour éviter tout accident impliquant de graves blessures corporelles.
- Ne jamais utiliser ou manipuler ce produit d'une autre manière que celle spécifiée dans ce manuel, car cela risquerait de mettre en danger votre sécurité et d'endommager le produit.
- Veiller à ce que toute personne devant installer ou utiliser le produit et ses systèmes dispose des informations nécessaires et puisse accéder à ce manuel.



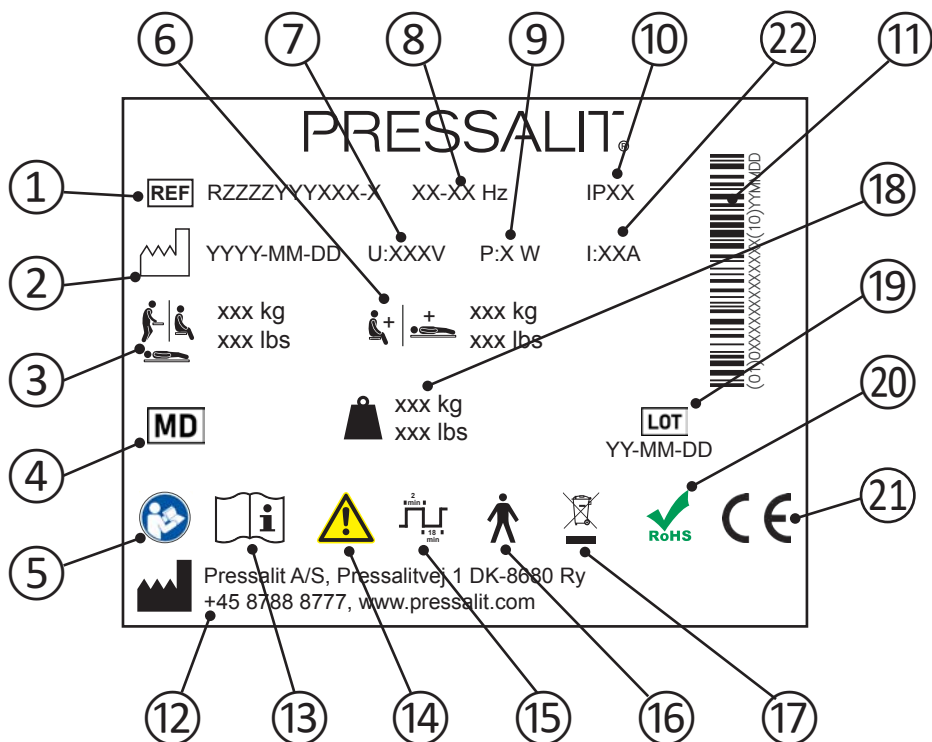
### **ATTENTION**

- Respecter ces instructions pour éviter d'endommager ou de détruire le produit.
- Ne pas procéder à des réparations, démontages, montages, extensions, réajustements ou modifications de ce produit. Ces opérations doivent être réalisées uniquement par Pressalit ou des personnes autorisées par Pressalit.
- Ne jamais permettre à des enfants d'utiliser ce produit, sauf sous surveillance. Le produit n'est pas destiné au jeu.
- Ne jamais utiliser le produit s'il est défectueux ou endommagé. Ne pas utiliser un produit défectueux avant de l'avoir fait réparer.

### **REMARQUE**

- Les informations contenues dans ce manuel reposent sur une installation correcte du produit selon la notice de montage.
- Pressalit ne saurait être tenu responsable en cas d'utilisation du produit autre que celle décrite dans le manuel.
- Nous nous réservons le droit de modifier ce manuel sans préavis.

# Étiquette du produit



- ① Numéro d'article

---

- ② Date de fabrication

---

- ③ Poids maximal de l'utilisateur

---

- ④ Dispositif médical

---

- ⑤ Consulter le manuel d'utilisation

---

- ⑥ Charge maximale

---

- ⑦ Tension de secteur

---

- ⑧ Fréquence

---

- ⑨ Consommation électrique maximum

⑩ Classe IP

---

⑪ Code-barres GS1-128

---

⑫ Nom et adresse du fabricant

---

⑬ Consulter le manuel d'utilisation

---

⑭ Consulter le manuel pour les mises en garde importantes telles que les avertissements et les précautions

---

⑮ Cycle de service

---

⑯ Pièce appliquée de type B. Pièce du produit qui, dans des conditions normales d'utilisation, est obligatoirement en contact avec le patient pour remplir sa fonction. Le produit est conforme aux exigences de protection contre les chocs électriques de la norme CEI 60601-1.

---

⑰ Ne pas le mettre au rebut sous forme de déchets municipaux non triés. Le produit doit être collecté séparément des autres déchets et renvoyé au service de recyclage désigné.

---

⑱ Poids du produit

---

⑲ Code du lot

---

⑳ Ce produit ne contient aucune des substances dangereuses mentionnées dans la Directive RoHS 2011/65/CE du Conseil.

---

Ces produits sont marqués CE conformément aux exigences pertinentes de :

- Règlement (UE) 2017/745 relatif (du 5 avril 2017) aux dispositifs médicaux.

fr ㉑ - La directive 2006/42/CE du Conseil (du 17 mai 2006) sur les mécanismes.

- La directive 2011/65/UE (du 8 juin 2011) sur RoHS.

Une déclaration de conformité est disponible sur [www.pressalit.com](http://www.pressalit.com).

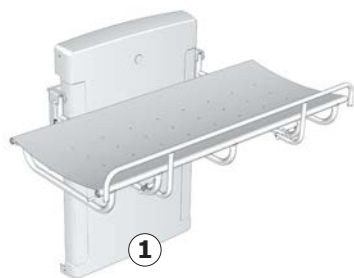
---

㉒ Courant électrique



Position de l'étiquette du produit

①.



## Usage prévu

Ce produit est conçu pour laver une personne qui n'est pas en mesure de tenir debout ou de s'asseoir. La personne est allongée horizontalement sur la table.

## Profil d'opérateur prévu

Le produit est destiné à être utilisé par du personnel de soins de santé formé à laver des personnes qui lui sont confiées.

## Profil d'utilisateur prévu

Le produit peut être utilisé par toute personne - adulte, enfant, adolescent, personne âgée - dont le poids ne dépasse pas la **charge maximale de 150 kg**.

## Environnement d'exploitation

Pour un usage en intérieur dans un environnement humide tel qu'une salle de bain. Le produit est prévu pour être utilisé à température ambiante, ainsi que dans des logements privés, services hospitaliers de long séjour et hôpitaux, dans des conditions de fonctionnement normales.



**ATTENTION**

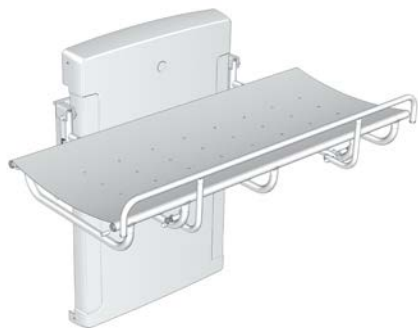
La surface du produit peut être chaude et/ou froide si elle est exposée à des sources externes de chaleur ou de froid (par exemple, le soleil ou le gel).

**REMARQUE**

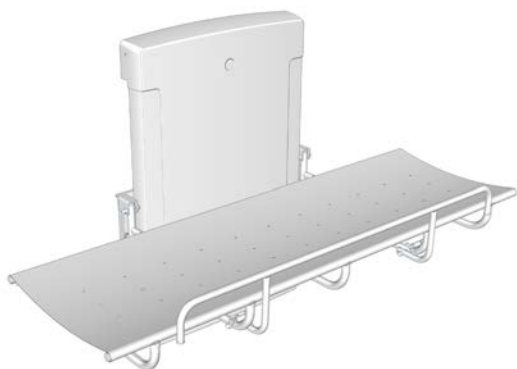
Tout incident grave survenu en lien avec le produit devrait faire l'objet d'une notification au fabricant et à l'autorité compétente.

fr

# Modèles

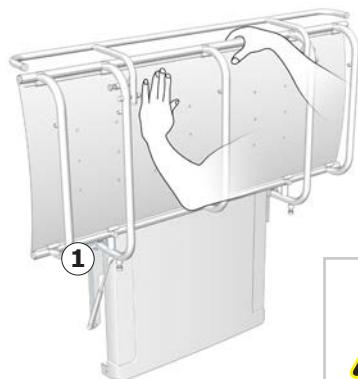


R8402



R8403

# Mode d'emploi



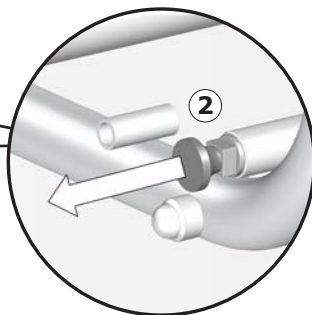
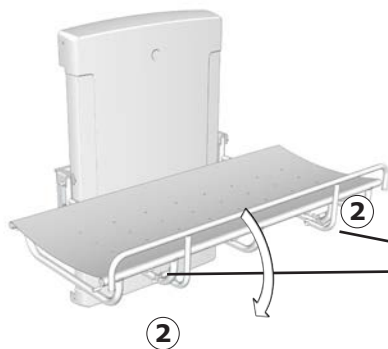
Soutenez la table à l'aide de votre main ou de votre corps lorsque vous la déployez pour éviter tout risque de dommage.

Les compensations à gaz intégrées permettent de replier facilement la table contre le mur après son utilisation.



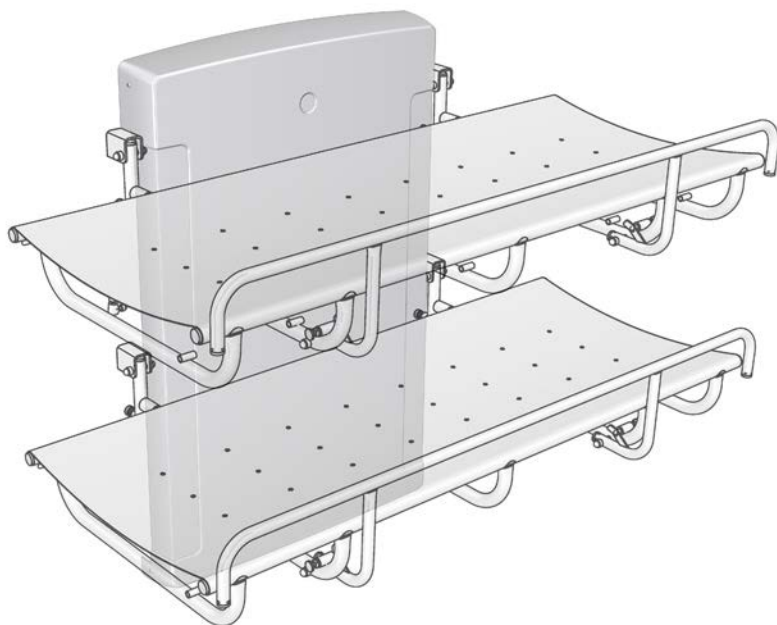
**Attention au risque de blessure aux mains à proximité de pièces mécaniques se fermant ①.**

**Pour lever la barrière de sécurité:** faites pivoter la barrière du dessous de la table vers le haut. La barrière de lit se verrouille automatiquement en position.



**Pour replier la barrière de lit :** libérez simultanément les deux verrous ② puis faites pivoter la barrière de lit vers le bas en direction du dessous de la table.

## Réglage en hauteur



Lorsque la table est installée à la hauteur recommandée, elle peut être réglée entre 480 et 880 mm au-dessus du sol.

Le réglage de la hauteur est contrôlé par la télécommande filaire.

Appuyez sur la flèche du haut et maintenez-la enfoncée pour lever la table, et appuyez sur la flèche du bas et maintenez-la enfoncée pour la baisser.



**Veiller à ce qu'aucun objet ne soit présent sous la table de douche lors du réglage de la hauteur du système.**

# Nettoyage

Nettoyez la table de douche après chaque utilisation. Utilisez de l'eau et du savon. Rincez à l'eau fraîche et séchez à l'aide d'un chiffon doux.

## IMPORTANT

- Ne pas utiliser d'autoclave ou tout autre type de nettoyeur à vapeur.
- Éviter les agents de nettoyage agressifs contenant des acides ou du chlorure.
- Ne jamais asperger la table de douche directement à l'aide d'un nettoyeur haute pression.
- Éviter d'utiliser des produits de nettoyage ou de désinfection agressifs, abrasifs, corrosifs ou à base de chlorure.

## Désinfection

Lors de l'utilisation de la table de douche pour différents patients, il est nécessaire de la nettoyer et de la désinfecter entre les diverses utilisations afin d'éviter tout risque d'infection croisée.

Vous trouverez une liste d'agents de nettoyage et de désinfectants adaptés sur [www.pressalit.com](http://www.pressalit.com)

## ATTENTION

Toujours lire les fiches techniques de sécurité du matériel et les notices fournies de l'agent de nettoyage, de désinfection ou de détartrage, et respecter les instructions relatives à l'utilisation sécurisée, la dilution, le rinçage, le séchage, la manipulation et le stockage de l'agent.

fr

## REMARQUE

Si le produit est installé dans un environnement chargé en sel ou en chlorure, la garantie sera réduite de 3 ans à 1 an.

Le sel et le chlorure ont un effet corrosif sur les composants du produit et diminuent la durée de vie du produit. Cependant, les effets nuisibles peuvent être réduits si le produit est lavé quotidiennement avec de l'eau du robinet.

# Maintenance

La durée de vie prévue de la table de douche est de 10 ans, à condition que la maintenance soit effectuée comme décrit ci-dessous :

Il est recommandé de faire fonctionner les moteurs du produit à leurs positions maximales de manière hebdomadaire en levant la table à sa position la plus haute puis en la descendant à sa position la plus basse afin de lubrifier les pièces internes.

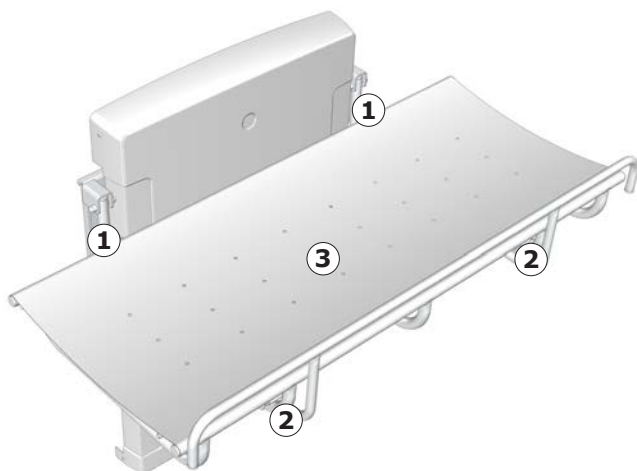
Il est recommandé d'effectuer un contrôle d'entretien une fois par an.

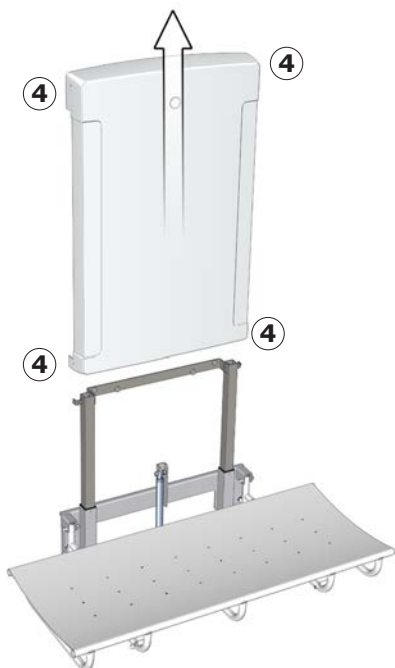


**Débranchez  
l'alimentation avant de  
retirer les couvercles.**

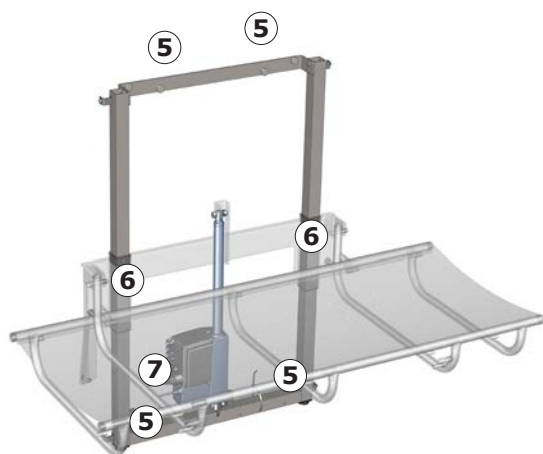
## Contrôle d'entretien

- Vérifiez les charnières ① au niveau de la table et de la barrière de lit ②. Serrez-les le cas échéant.
- Vérifiez si la toile en ③ est endommagée et remplacez-la le cas échéant.





- Retirez les vis de fixation supérieure et inférieure ④ du couvercle, puis retirez-le avec précaution.



- Vérifiez les fixations murales ⑤ et serrez-les si nécessaire.
- Graissez les pièces mobiles, en particulier les traverses coulissantes ⑥.
- Vérifiez tous les raccords électriques au boîtier de commande ⑦.
- Remettez le couvercle de l'unité de levage en place et serrez les vis de fixation.
- Rebranchez l'alimentation.

fr

## Dépannage

<b>Problème</b>	<b>Cause</b>	<b>Mesure</b>
La table de douche ne reste pas en position verticale.	La compensation à gaz est défectueuse.	Contactez Pressalit ou votre représentant local.
Le produit ne fonctionne pas, bien que la télécommande soit correctement utilisée.	Problème au niveau de l'alimentation électrique.	Vérifiez que tous les câbles et prises sont intacts et correctement raccordés. Contactez Pressalit ou votre représentant local.
La table de douche monte et descend de façon irrégulière.	Les traverses coulissantes ne sont pas bien lubrifiées.	Graissez les traverses coulissantes comme décrit à la section "Maintenance".

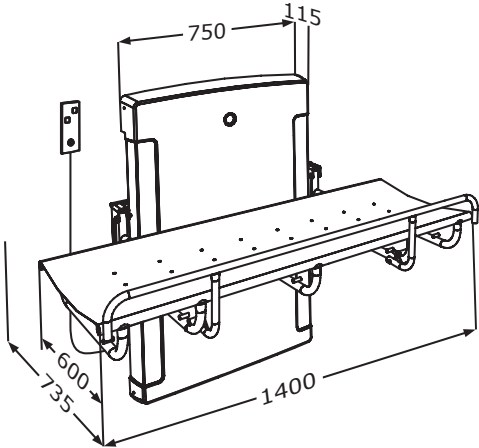
Contactez Pressalit ou votre représentant si vous ne parvenez pas à résoudre le problème. N'essayez pas de réparer vous-même le produit car cela annulerait la garantie.



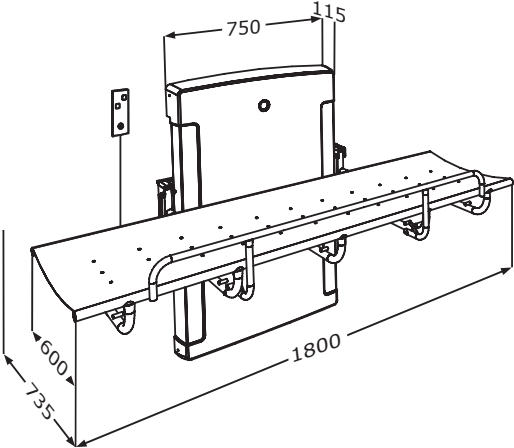
## Données techniques

Charge maximale	150 kg
Matériaux	Acier inoxydable laqué à la poudre Matières synthétiques : PVC (toile) Polystyrène (couvercle)
Poids	R8402 : 44,46 kg R8403 : 45,92 kg
Classe IP	Le produit présente un indice de protection IPX6. Le produit ne doit pas être immergé dans l'eau, mais est conçu pour résister à de puissants jets d'eau (buse de 12,5 mm) provenant de toute direction.
<b>Caractéristiques électriques</b>	
Consommation max.	70 W
Tension	Connexion secteur : 230 V/120 V/100 V
Fréquence	50/60 Hz
Courant	0,3 A

**Dimensions (mm)**



**R8402**



**R8403**

fr

## Mise au rebut et recyclage

L'unité contient des matériaux réutilisables. Il n'y a aucun risque connu associé à la mise au rebut du produit. Tous les composants peuvent être mis au rebut après avoir été nettoyés et désinfectés.

Lors de la mise au rebut du produit, nous recommandons de le démonter et de le décomposer en différents groupes de déchets en vue de leur recyclage ou incinération.

Le tableau suivant fournit des informations sur le recyclage et la manipulation du produit.

<b>Composants recyclables</b>	<b>Matériau</b>
Acier	L'acier peut être recyclé en étant refondu et inclus en tant que matériau secondaire dans la production d'acier nouveau.
Matières synthétiques	Utilisez les systèmes locaux de tri et de recyclage des matières synthétiques. Alternativement, l'incinération des matières synthétiques présente l'avantage de générer de l'énergie qui peut être utilisée, par exemple, pour la production combinée de chaleur et d'électricité.
Composants électroniques	Les composants électroniques doivent être collectés séparément des autres déchets et renvoyés au service de recyclage désigné.

# Inhoud

Montage-instructies .....	68
Visuele handleiding .....	68
Symbolen in deze handleiding .....	69
Specifieke veiligheid .....	69
Algemene veiligheid .....	70
Productlabel .....	71
Beoogd gebruik .....	73
Profiel van beoogde bediener .....	73
Profiel van beoogde gebruiker .....	73
Gebruiksomgeving .....	73
Versies .....	74
Gebruiksaanwijzing .....	75
Hoogteafstelling .....	76
Reinigen .....	77
Desinfecteren .....	77
Onderhoud .....	78
Onderhoudsinspectie .....	78
Probleemoplossing .....	80
Technische gegevens .....	81
Afmetingen (mm) .....	82
Afvoer en recycling .....	83

## Montage-instructies



Er worden montage-instructies met dit product meegeleverd. U kunt de handleiding ook via [www.pressalit.com](http://www.pressalit.com) downloaden.

## Visuele handleiding



Er wordt een visuele handleiding met het product meegeleverd. U kunt de handleiding ook via [www.pressalit.com](http://www.pressalit.com) downloaden.

# Symbolen in deze handleiding

De volgende symbolen worden gebruikt in deze handleiding en de bijbehorende documentatie die met het product is meegeleverd.



## WAARSCHUWING

**WAARSCHUWING** geeft een mogelijk gevaarlijke situatie aan die, indien niet vermeden, kan leiden tot overlijden of ernstig letsel.



## LET OP

**LET OP** geeft een mogelijk gevaarlijke situatie aan die, indien niet vermeden, kan leiden tot licht of matig letsel. 'Let op' kan ook worden gebruikt om de gebruiker te waarschuwen voor onveilige praktijken.

## BELANGRIJK

**BELANGRIJK** geeft belangrijke informatie aan over het hanteren en gebruiken van het product.

## OPMERKING

**OPMERKING** wordt gebruikt om praktijken aan te duiden die geen betrekking hebben tot persoonlijke veiligheid.



Waarschuwing voor handletsel.



Elektriciteit of mogelijk gevaarlijke spanning.



Waarschuwing voor hoofdletsel.

## Specifieke veiligheid



## LET OP

- Laat nooit iemand op de brancard liggen zonder toezicht.
- Wees altijd voorzichtig wanneer u iemand op de brancard legt en van de brancard afhaalt.

nl

# Algemene veiligheid



## WAARSCHUWING

- Lees de handleiding vóór gebruik volledig door en zorg dat u deze begrijpt. Houd de handleiding in de buurt van de eenheid.
- Houd u aan deze handleiding om ongelukken met ernstig persoonlijk letsel te voorkomen.
- Gebruik of hanteer dit product nooit op een andere manier dan in deze handleiding staat beschreven, omdat dit uw veiligheid in gevaar kan brengen en schade aan het product kan veroorzaken.
- Zorg ervoor dat iedereen die het product en de bijbehorende systemen gaat plaatsen of gebruiken, is voorzien van de benodigde informatie en toegang heeft tot deze handleiding.



## LET OP

- Volg deze instructies op om te voorkomen dat het product wordt beschadigd of vernietigd.
- Voer geen reparaties, (de)montagewerkzaamheden, uitbreidingen, afstellingen of aanpassingen uit met betrekking tot dit product. Deze werkzaamheden mogen uitsluitend worden uitgevoerd door Pressalit of door personen die door Pressalit zijn gemachtigd.
- Kinderen mogen nooit zonder toezicht dit product bedienen. Dit product is geen speelgoed.
- Gebruik dit product nooit als het defect of beschadigd is. Gebruik het product niet voordat het is gerepareerd.

## OPMERKING

- De informatie in deze handleiding is gebaseerd op een juiste passing van het product conform onze montage-instructies.
- Pressalit is niet aansprakelijk wanneer het product wordt gebruikt op een manier die afwijkt van de in de gids beschreven manier.
- We behouden ons het recht voor deze handleiding aan te passen zonder voorafgaande kennisgeving.



⑩ IP-klasse

---

⑪ GS1-128-barcode

---

⑫ Naam en adres van fabrikant

---

⑬ Raadpleeg de gebruikshandleiding

---

⑭ Raadpleeg de handleiding voor belangrijke waarschuwingsinformatie, zoals waarschuwingen en voorzorgsmaatregelen

---

⑮ Levenscyclus

---

⑯ Toegepast onderdeel type B. Een deel van het product komt bij normaal gebruik noodzakelijkerwijs in contact met het lichaam van de patiënt. Het product voldoet aan de vereisten van IEC 60601-1 betreffende het bieden van bescherming tegen elektrische schokken

---

⑰ Niet afvoeren met het ongesorteerde huishoudelijk afval. Het product moet afzonderlijk worden ingezameld en worden getourneerd aan een speciale recyclingdienst.

---

⑱ Gewicht van product

---

⑲ Batchcode

---

⑳ Dit product bevat geen van de gevaarlijke stoffen die worden vermeld in Europese richtlijn 2011/65/EG betreffende RoHS.

---

Deze producten zijn CE-gemarkeerd in overeenstemming met de relevante vereisten in:

- ⑳
- Verordening (EU) 2017/745 (van 5 april 2017) betreffende medische hulpmiddelen.
  - Machinerichtlijn 2006/42/EEG (van 17 mei 2006).
  - RoHS-richtlijn 2011/65/EG (van 8 juni 2011).

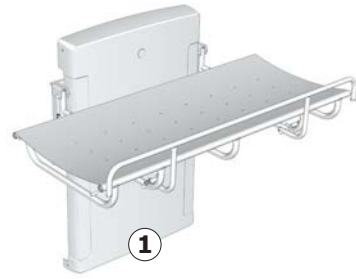
De conformiteitsverklaring kan worden gevonden op [www.pressalit.com](http://www.pressalit.com).

---

㉑ Elektrische stroom



Plaatsing productlabel ①.



## Beoogd gebruik

Dit product is bedoeld voor het wassen van een persoon die niet zelf kan staan of zitten. De persoon ligt horizontaal op de brancard.

### Profiel van beoogde bediener

Het product dient te worden bediend door personeel dat is opgeleid in de gezondheidszorg en het wassen van een persoon voor wie zij zorg dragen.

### Profiel van beoogde gebruiker

Het product kan door iedereen - volwassenen, kinderen, jongeren, ouderen - met een **maximaal lichaamsgewicht van 150 kg** worden gebruikt.

### Gebruiksomgeving

Gebruik binnenshuis in een natte omgeving, zoals een badkamer of wasruimte. Het product is bedoeld om bij kamertemperatuur te worden gebruikt, in woningen, verpleeghuizen en ziekenhuizen onder normale bedrijfsomstandigheden.

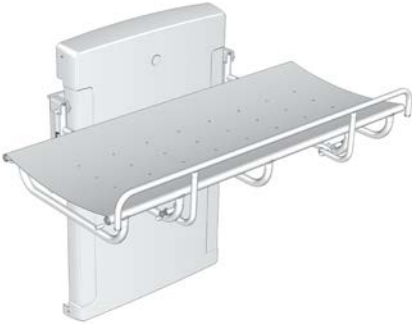
 **LET OP**

Het oppervlak van het product kan heet en/of koud worden als het wordt blootgesteld aan externe warmte- of koudebronnen als zonlicht of vorst.

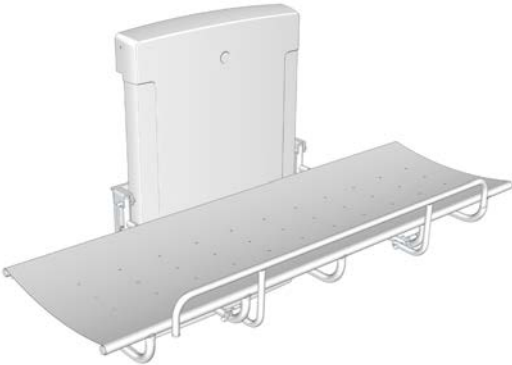
**OPMERKING**

Elk ernstig voorval in verband met het hulpmiddel moet worden gemeld aan de fabrikant en de bevoegde autoriteit.

# Versies

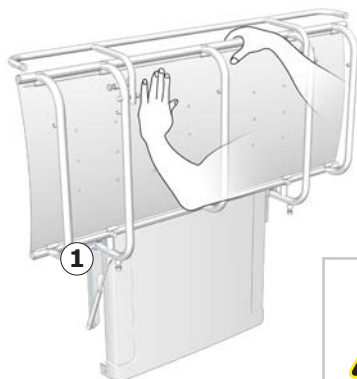


R8402



R8403

# Gebruiksaanwijzingen



Ondersteun de brancard met uw hand of lichaam wanneer u de brancard omlaag klappt om het risico op schade te voorkomen.

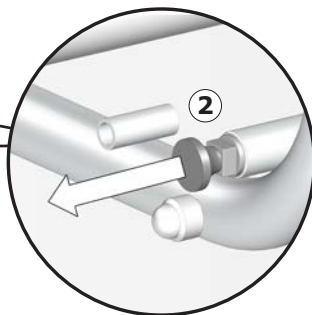
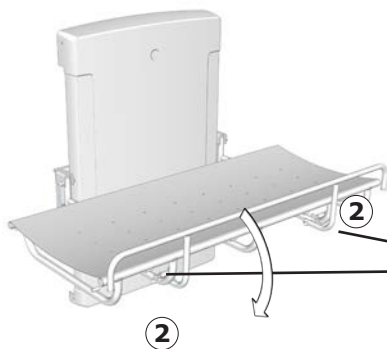
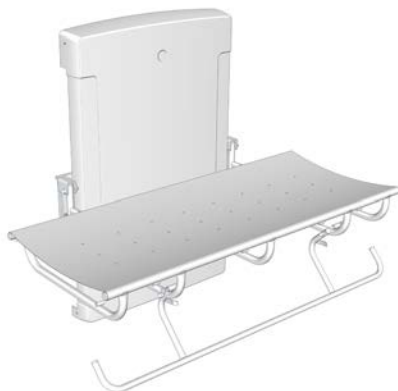
De ingebouwde gascilinders zorgen ervoor dat de brancard na gebruik eenvoudig tegen de muur kan worden geklappt.



**Wees voorzichtig om letsel aan uw handen te voorkomen wanneer u zich in de buurt bevindt van sluitende mechanische onderdelen ①.**

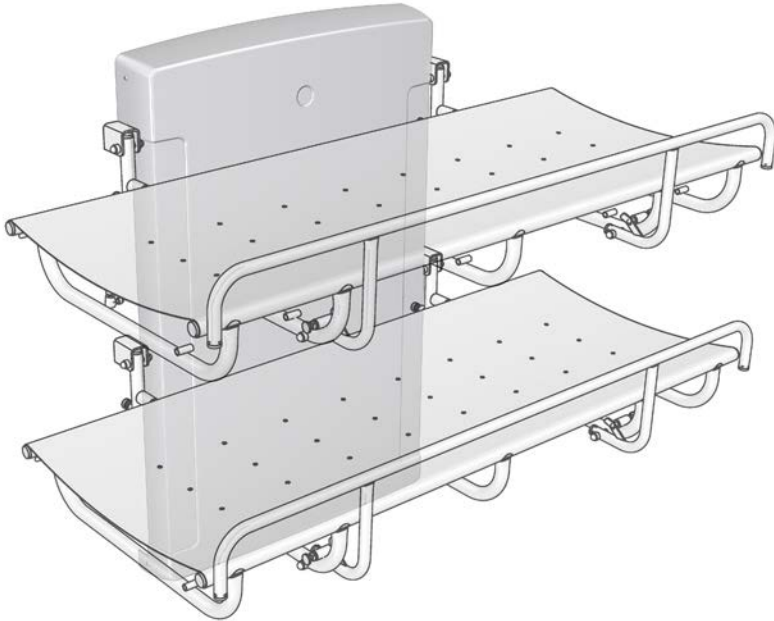
## **Veiligheidshek omhoog trekken:**

Klap het veiligheidshek van onder de brancard vandaan omhoog. Het veiligheidshek wordt automatisch op zijn plaats vergrendeld.



**Het veiligheidshek inklappen:** Ontgrendel de twee sloten ② gelijktijdig en klap het veiligheidshek omlaag onder de brancard.

# Hoogteafstelling



Wanneer de brancard op de juiste hoogte is geplaatst, kan deze worden afgesteld tussen 480 en 880 mm boven de vloer.

De hoogteafstelling kan worden geregeld met de bedrade afstandsbedieningseenheid.

Houd de toets Omhoog ingedrukt om de brancard te verhogen en houd de toets Omlaag ingedrukt om de brancard te verlagen.



**Zorg ervoor dat er zich geen voorwerpen onder de douchebrancard bevinden wanneer u het systeem voor hoogteafstelling bedient.**

# Reinigen

Reinig de douchebrancard na elk gebruik. Gebruik normaal zeepsop. Spoel af met schoon water en droog met een zachte doek.

## BELANGRIJK

- Gebruik geen autoclaaf of een andere stoomreiniger.
- Vermijd het gebruik van agressieve reinigingsmiddelen die zuur of chloride bevatten.
- Spuit nooit rechtstreeks met een hogedrukspuit op de douchebrancard.
- Vermijd het gebruik van agressieve, schurende of bijtende reinigings- of desinfectieproducten of reinigings- of desinfectieproducten op basis van chloor.

## Desinfecteren

Wanneer de douchebrancard voor meerdere patiënten wordt gebruikt, is het noodzakelijk dat de douchebrancard tussen patiënten in zowel gereinigd als gedesinfecteerd wordt om het risico op kruisbesmetting te voorkomen.

Een lijst met geschikte reinigingsmiddelen vindt u op [www.pressalit.com](http://www.pressalit.com).

## LET OP

Lees altijd het veiligheidsinformatieblad (MSDS) en de geleverde instructies voor het reinigings-, desinfectie- of ontkalkingsmiddel en volg alle instructies voor veilig gebruik, verdunnen, spoelen, drogen, hanteren en opslag van het middel op.

## OPMERKING

Als het product wordt geplaatst in een atmosfeer met een hoog zout- of chloridegehalte, wordt de garantie verkort van de normale 3 jaar tot 1 jaar.

Zout en chloride hebben een corrosief effect op de onderdelen van het product en verminderen de levensduur van het product. De schadelijke effecten kunnen echter worden verminderd als het product dagelijks wordt afgespoeld met kraanwater.

# Onderhoud

De verwachte levensduur van de douchebrancard is 10 jaar, op voorbehoud dat onderhoud wordt uitgevoerd zoals hieronder beschreven:

Het wordt aanbevolen wekelijks de motoren van het product te laten lopen tot de maximale standen door de brancard tot de volledige hoogte te heffen en vervolgens tot de laagste stand neer te laten, zodat de interne onderdelen worden gesmeerd.

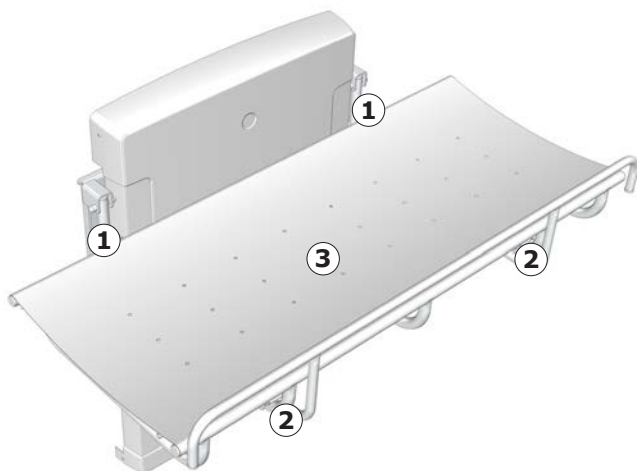
Het wordt aanbevolen eenmaal per jaar een onderhoudsinspectie uit te voeren.

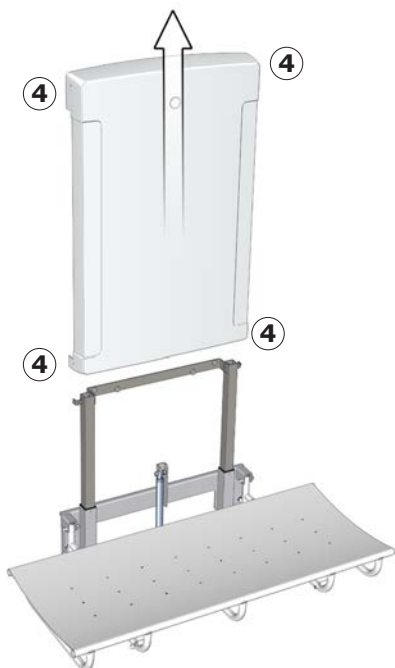


**Koppel de stekker van het product los voordat u de afdekkingen gaat verwijderen.**

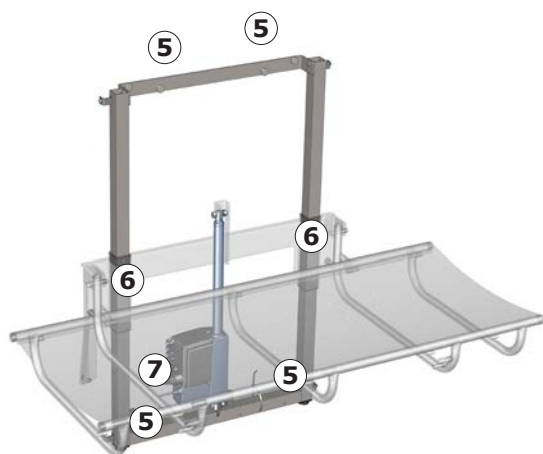
## Onderhoudsinspectie

- Controleer de scharnieren ① van de brancard en het veiligheidshek ②. Zet de scharnieren zo nodig vast.
- Controleer het doek ③ op beschadigingen en vervang deze indien nodig.





- Verwijder de bovenste en onderste borgschroeven ④ op de afdekking van de hefeenheid en verwijder de afdekking voorzichtig.



- Controleer de wandbeugels ⑤ en zet deze zo nodig vast.
- Smeer bewegende onderdelen, met name de schuivende beugels ⑥.
- Controleer alle elektrische verbindingen met de regelkast ⑦.
- Plaats de afdekking van de eenheid terug en zet de borgschroeven vast.
- Sluit de stekker opnieuw aan.

# Probleemoplossing

Symptoom	Oorzaak	Actie
De douchebrancard blijft niet in rechtopstaande positie.	De gascilinders zijn defect.	Neem contact op met Pressalit of uw plaatselijke dealer.
Het product werkt niet, hoewel de afstandsbediening juist wordt gebruikt.	Storing in voedingseenheid.	Controleer of alle snoeren en stekkers intact zijn en goed zijn aangesloten. Neem contact op met Pressalit of uw plaatselijke dealer.
De douchebrancard beweegt ongelijkmatig omhoog en omlaag.	De schuivende beugels zijn niet goed gesmeerd.	Smeer de schuivende beugels zoals beschreven in "Onderhoud".

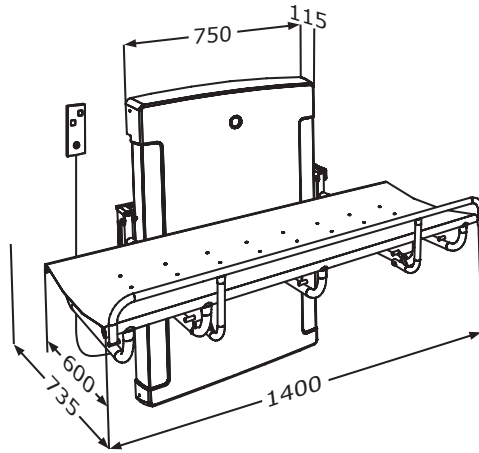
Neem contact op met Pressalit of uw dealer als het probleem niet kan worden opgelost. Probeer niet zelf het product te repareren, omdat de garantie hierdoor komt te vervallen.



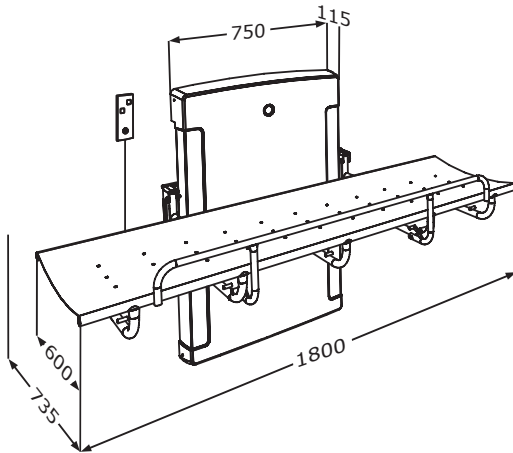
## Technische gegevens

Max. belasting	150 kg
Materialen	Roestvrij staal met poedercoating Kunststof: PVC (doek) Polystyreen (afdekking)
Gewicht	R8402: 44,46 kg R8403: 45,92 kg
IP-klasse	Het product heeft beschermingsgraad IPX6 tegen binnendringing. Het product mag niet in water worden ondergedompeld, maar is ontworpen om krachtige stralen water (spuitmond van 12,5 mm) uit elke richting te weerstaan.
<b>Voedingsspecificaties</b>	
Maximaal verbruik	70 W
Spanning	Netvoeding: 230 V/120 V/100 V
Frequentie	50/60 Hz
Stroom	0,3 A

# Afmetingen (mm)



**R8402**



**R8403**

# Afvoer en recycling

De eenheid bevat herbruikbare materialen. Er zijn geen bekende gevaren of risico's gekoppeld aan het afvoeren van het product. Alle onderdelen kunnen na reiniging en desinfectie worden afgevoerd.

We raden u aan het product bij afvoer te demonteren en onder te verdelen in afvalgroepen voor recycling of verbranding.

De volgende tabel biedt informatie over het recyclen en hanteren van het product.

<b>Recyclebare onderdelen</b>	<b>Materiaal</b>
Staal	Staal kan worden gerecycled door het opnieuw te smelten en te gebruiken als secundair materiaal bij de productie van nieuw staal.
Kunststof	Gebruik sorteer- en recyclingsystemen voor kunststof wanneer deze lokaal beschikbaar zijn. Het verbranden van kunststof kan in andere gevallen worden gebruikt voor het opwekken van energie die bijvoorbeeld kan worden gebruikt voor cogeneratie.
Elektronica	De elektronische onderdelen moeten afzonderlijk worden ingezameld en worden geretourneerd aan een speciale recyclingdienst.

# Innehåll

Monteringsinstruktion .....	84
Visuell snabbguide .....	84
Symboler som används i manualen.....	85
Särskilda säkerhetsanvisningar.....	85
Allmän säkerhetsinformation.....	86
Produktetikett.....	87
Avsedd användning.....	89
Användare .....	89
Avsedd användare.....	89
Användningsmiljö .....	89
Modeller.....	90
Användningsinstruktioner.....	91
Höjdjustering .....	92
Rengöring .....	93
Desinficering.....	93
Underhåll.....	94
Serviceinspektion.....	94
Åtgärda fel .....	96
Teknisk information .....	97
Mått (mm).....	98
Kassering och återvinning.....	99

## Monteringsinstruktion



En monteringsinstruktion medföljer den här produkten. Den går även att ladda ned på [www.pressalit.com](http://www.pressalit.com).

## Visuell snabbguide



En visuell snabbguide medföljer produkten. Den går även att ladda ned på [www.pressalit.com](http://www.pressalit.com).

## Symboler som används i manualen

Följande symboler används i manualen samt i övrig dokumentation som medföljer produkten.



**VARNING** indikerar en potentiellt farlig situation som kan orsaka dödsfall eller allvarlig skada om den inte undviks.



**VAR FÖRSIKTIG** indikerar en potentiellt farlig situation som kan orsaka mindre eller måttlig skada om den inte undviks. Kan också användas för att varna för osäker hantering.



**VIKTIGT** indikerar viktig information om hantering och användning av produkten.



**OBS** används för att informera om hantering som inte är relaterad till personlig säkerhet.



Varning för  
handskada.



Elektricitet eller potentiellt  
skadlig spänning.



Varning för  
huvudskada.

## Särskilda säkerhetsanvisningar



- Låt aldrig en person ligga på duschbritten utan uppsikt.
- Var alltid försiktig när du flyttar en person till och från duschbritten.

## Allmän säkerhetsinformation

### **VARNING**

- Se till att du har läst och förstått manualen fullständigt innan du använder produkten. Förvara manualen nära produkten.
- Följ anvisningarna i manualen för att undvika olyckor som kan orsaka allvarliga personskador.
- Använd aldrig produkten på något annat sätt än vad som beskrivs i den här manualen eftersom du då riskerar att skada både dig själv och produkten.
- Se till att alla personer som ska installera eller använda produkten och de tillhörande systemen har fått den information som behövs samt att de har tillgång till manualen.

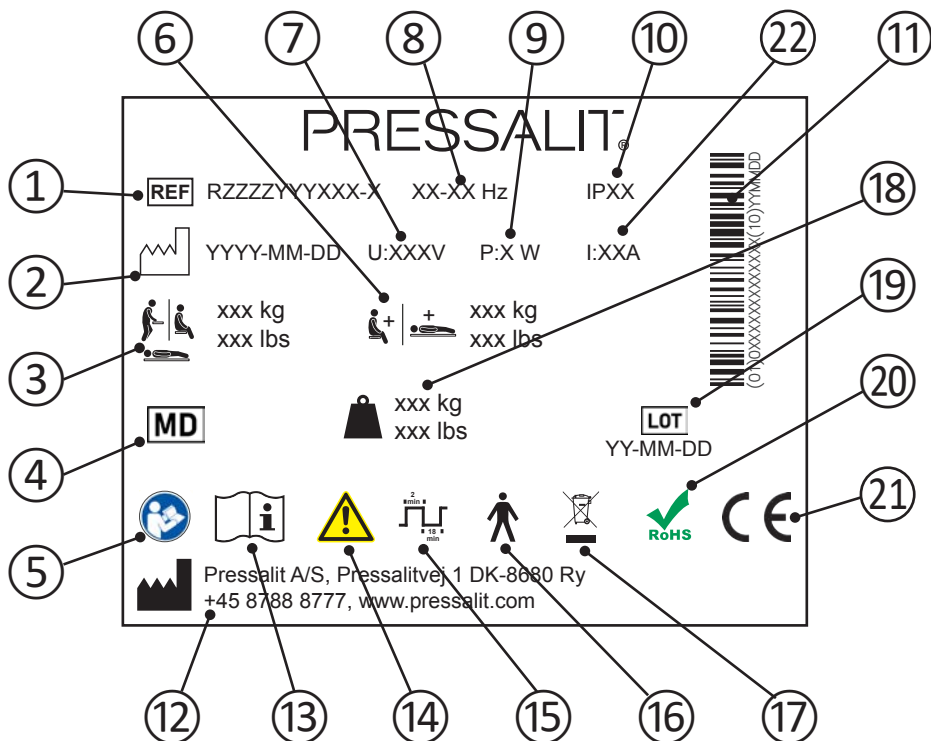
### **VAR FÖRSIKTIG**

- Följ anvisningarna för att undvika att produkten skadas eller förstörs.
- Försök inte reparera, demontera, montera eller göra tillägg till produkten eller ändra den på något sätt. Sådana åtgärder får endast utföras av Pressalit eller av personer som fått behörighet av Pressalit.
- Låt aldrig barn använda produkten ensamma. Den är inte avsedd för lek.
- Använd aldrig produkten om den är trasig eller skadad. Vänta med att använda en defekt produkt tills den har reparerats.

### **OBS**

- Informationen i den här manualen är baserad på att produkten är korrekt monterad enligt våra anvisningar.
- Pressalit tar inget ansvar för eventuella fel som uppstår om produkten används på något annat sätt än vad som beskrivs i manualen.
- Vi förbehåller oss rätten att göra ändringar i manualen utan att meddela detta i förväg.

# Produktetikett



- ① Artikelnummer

---

- ② Tillverkningsdatum

---

- ③ Användarens maxvikt

---

- ④ Medicinsk utrustning

---

- ⑤ Läs manualen för att få anvisningar om användning.

---

- ⑥ Max. belastning

---

- ⑦ Nätpänning

---

- ⑧ Frekvens

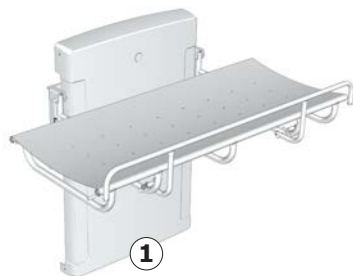
---

- ⑨ Maximal energiförbrukning

- 
- ⑩ IP-klass
- 
- ⑪ Streckkod GS1-128
- 
- ⑫ Tillverkarens namn och adress.
- 
- ⑬ Läs manualen för att få anvisningar om användning.
- 
- ⑭ Läs manualen för att få veta innebörden i viktig säkerhetsinformation som varningar och försiktighetsåtgärder.
- 
- ⑮ Arbetscykel
- 
- ⑯ Typ B-del. En del av produkten kommer att komma i fysisk kontakt med patienten vid normal användning. Produkten uppfyller kraven i IEC 60601-1 och är därmed skyddad mot elektriska stötar.
- 
- ⑰ Produkten får inte kasseras som vanligt hushållsavfall. Avfallssortera de olika delarna och lämna in dem för återvinning på därför avsedd plats.
- 
- ⑱ Produktvikt
- 
- ⑲ Batchkod
- 
- ⑳ Produkten innehåller inga av de farliga ämnen som är angivna i RoHS-direktivet 2011/65/EG.
- 
- Dessa produkter är CE-märkta i enlighet med relevanta krav i:
- Förordning (EU) 2017/745 (från den 5. april 2017) om medicintekniska produkter.
  - Maskindirektivet 2006/42/EEG (från den 17 maj 2006).
  - RoHS-direktivet 2011/65/EU (från den 8. juni 2011).
- En försäkran om överensstämmelse finns på [www.pressalit.com](http://www.pressalit.com).
- 
- ㉑ Elektrisk ström



Placering av produktetiketten ①.



## Avsedd användning

Den här produkten är avsedd för tvättning av en person som inte kan stå eller sitta själv. Personen ligger horisontellt på duschbrisen.

## Användare

Produkten ska användas av personal som är utbildad i hälsovård och att tvätta personer.

## Avsedd användare

Produkten kan användas av alla – vuxna, barn, gamla och unga med en **maxvikt på 150 kg.**

## Användningsmiljö

För användning inomhus i våtrumsmiljö, till exempel ett badrum. Produkten är avsedd för användning i rumstemperatur i privata hem, på vårdhem och sjukhus under normala arbetsförhållanden.

 **VAR FÖRSIKTIG**

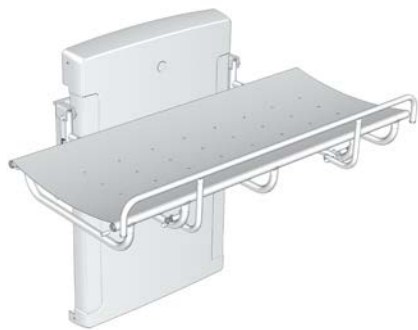
Ytan på den här produkten kan bli mycket varm eller kall om den utsätts för värme eller kyla från externa källor (t.ex. solsken eller frost).

**OBS**

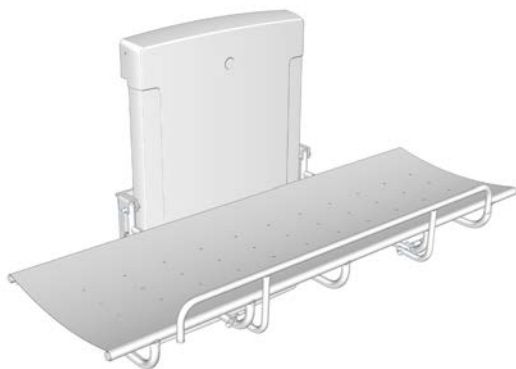
Alla allvarliga tillbud som har inträffat i samband med produkten bör rapporteras till tillverkaren och den behöriga myndigheten.

SV

# Modeller

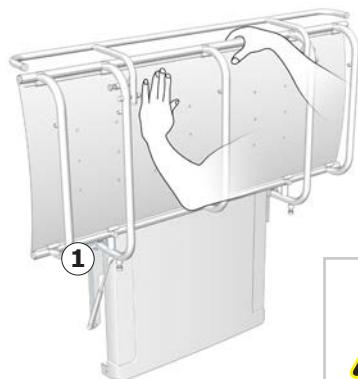


R8402



R8403

# Användningsinstruktioner



Håll emot britsen med en hand eller med kroppen när du fäller ned den för att undvika skaderisk.

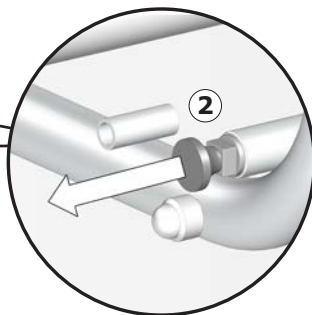
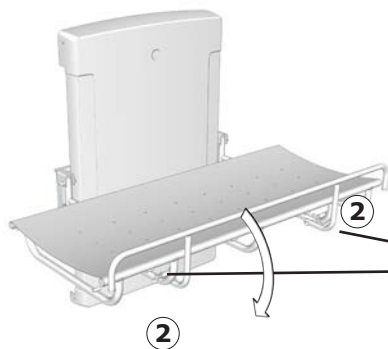
De integrerade gascylindrarna gör det enkelt att fälla upp britsen mot väggen efter användning.



**Se till att du inte skadar händerna när du arbetar i närheten av mekaniska delar som stängs ①.**

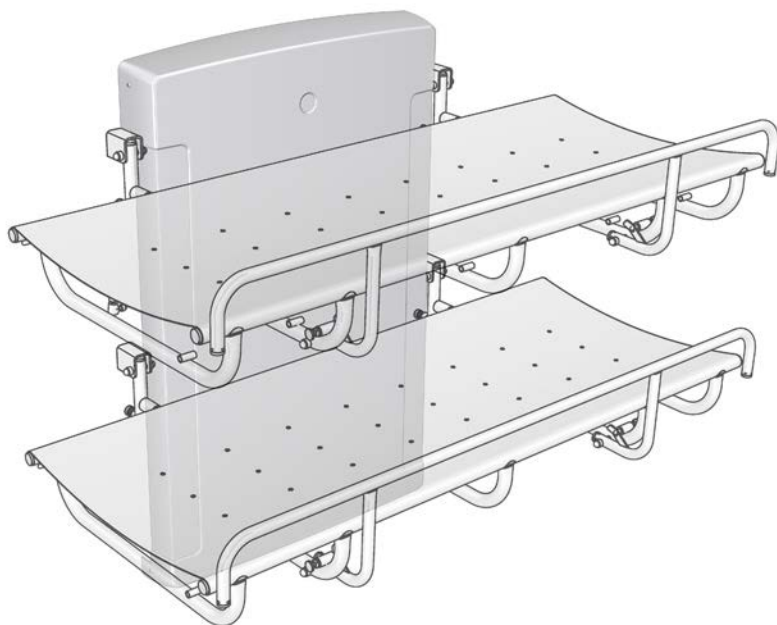
## Så här fäller du upp sänggrinden:

Ta tag i sänggrinden på undersidan av britsen och fäll upp den. Sänggrinden låses fast i rätt position automatiskt.



**Så här fäller du undan sänggrinden:** Lossa de två spärrarna ② samtidigt och fäll ned sänggrinden till britsens undersida.

# Höjdjustering



När britsen har installerats på den rekommenderade höjden kan den justeras till en höjd på mellan 480 och 880 mm ovanför golvet.

Höjdjusteringen utförs via en trådbunden manöverdosa.

Tryck på upp-knappen och håll ned den för att höja britsen och tryck på ned-knappen och håll ned den för att sänka britsen.



**Se till att det inte finns några föremål under duschbritten när du manövrerar höjdjusteringssystemet.**

# Rengöring

Rengör duschbriksen efter varje användningstillfälle. Använd vatten och vanlig tvål. Skölj av med rent vatten och torka med en mjuk trasa.

## VIKTIGT

- Använd inte en autoklav eller någon annan typ av tryckkokare för rengöring.
- Undvik aggressiva rengöringsmedel som innehåller syror eller klorid.
- Spruta aldrig med högtryckstvätt direkt på duschbriksen.
- Undvik att använda aggressiva, slipande, korrosiva eller kloridbaserade rengörings- eller desinficeringsprodukter.

## Desinficering

När duschbriksen används för flera patienter är det nödvändigt att både rengöra och desinficera den mellan de olika patienterna för att undvika risk för korsinfektion.

På [www.pressalit.com](http://www.pressalit.com) finns en lista över lämpliga rengörings- och desinficeringsmedel.



## VAR FÖRSIKTIG

Läs alltid materialsäkerhetsdatabladet (MSDS) och de medföljande anvisningarna till det aktuella rengörings-, desinficerings- eller avkalkningsmedlet avseende säker användning, spädning, sköljning, torkning, hantering och förvaring.

## OBS

Om produkten installeras i en miljö där det finns mycket salt eller klorid minskar garantitiden från 3 år (standard) till 1 år.

Salt och klorid har en korrosiv effekt på komponenterna i produkten och gör att livslängden minskar. Skadeeffekterna kan dock minskas om produkten spolav med kranvatten dagligen.

# Underhåll

Den förväntade användningstiden för duschbritten är 10 år, förutsatt att underhåll utförs enligt anvisningarna nedan:

Vi rekommenderar att du varje vecka kör motorerna till maxpositionerna genom att du först lyfter produkten till maxhöjd och sedan sänker den till sin lägsta position så att de interna delarna smörjs.

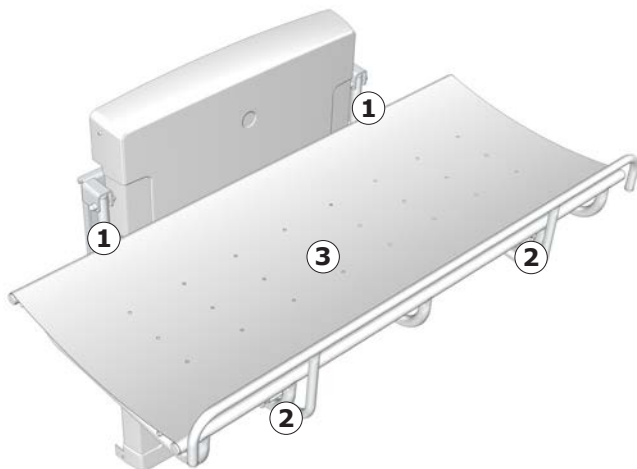
Vi rekommenderar att en serviceinspektion utförs varje år.

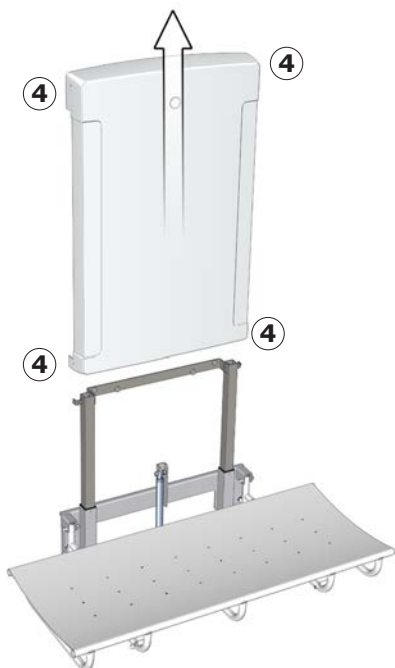


**Koppla från anslutningen till elnätet innan du tar bort höljena.**

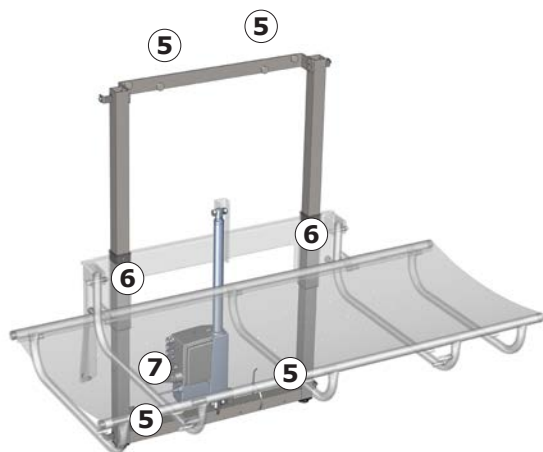
## Serviceinspektion

- Kontrollera gångjärnen ① på britten och på sänggrunden ② . Dra åt dem om det behövs.
- Kontrollera att överdraget ③ inte är skadat och byt ut det om det behövs.





- Ta bort de övre och undre stoppskruvarna ④ på höljet och ta bort det försiktigt.



- Kontrollera väggfästena ⑤ och dra åt dem om det behövs.
- Smörj rörliga delar, framför allt glidskenorna ⑥.
- Kontrollera alla elektriska anslutningar på manöverdosan ⑦.
- Sätt tillbaka höljet på enheten och dra åt stoppskruvarna.
- Koppla in anslutningen till elnätet igen.

## Åtgärda fel

Symptom	Orsak	Åtgärd
Duschbritten stannar inte kvar i upprätt läge.	Gascylindrarna är defekta.	Kontakta Pressalit eller din lokala återförsäljare.
Produkten fungerar inte fastän manöverdosan används på rätt sätt.	Fel på strömförsörjningen.	Kontrollera att alla kablar och kontakter är oskadade och anslutna på rätt sätt. Kontakta Pressalit eller din lokala återförsäljare.
Det går hackigt när duschbritten flyttas uppåt och nedåt.	Glidskenorna behöver smörjas.	Smörj in glidskenorna enligt anvisningarna i "Underhåll".

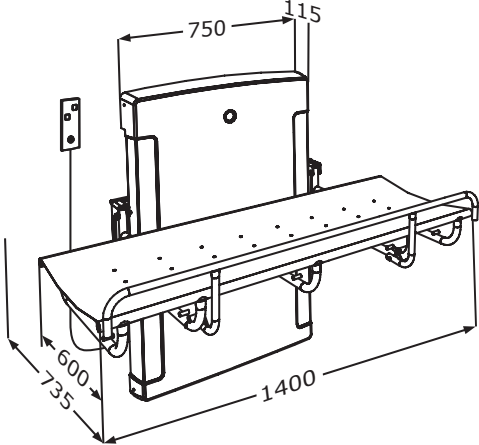
Kontakta Pressalit eller din återförsäljare om du inte kan åtgärda problemet. Försök inte reparera produkten själv eftersom det gör att garantin upphör att gälla.



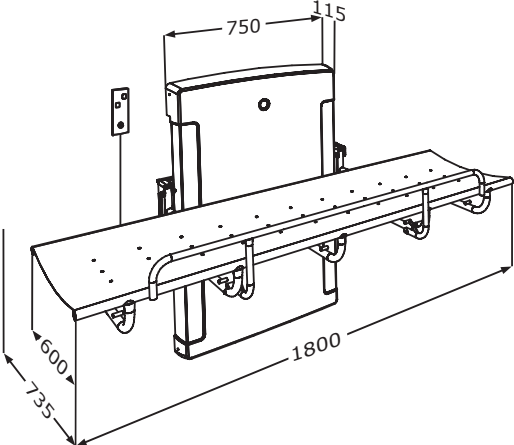
## Teknisk information

Max. belastning	150 kg
Material	Pulverlackat rostfritt stål Plast: PVC (överdrag) Polystyren (hölje)
Vikt	R8402: 44,46 kg R8403: 45,92 kg
IP-klass	Produkten är kapslingsklassad enligt IPX6. Produkten får inte sänkas ned i vatten, men den är skyddad mot kraftig överspolning av vatten (från en öppning på 12,5 mm) i alla riktningar.
<b>Specifikationer för strömförsörjning</b>	
Max. energiförbrukning	70 W
Spänning	Anslutning till elnätet: 230 V/120 V/100 V
Frekvens	50/60 Hz
Ström	0,3 A

**Mått (mm)**



**R8402**



**R8403**



SV

## Kassering och återvinning

Produkten innehåller material som går att återvinna. Det finns inga kända risker förknippade med kassering av produkten. Alla komponenter kan kasseras efter att de har rengjorts och desinficerats.

Vid kassering av produkten rekommenderar vi att den demonteras och att de olika delarna avfallssorteras för återvinning eller förbränning.

I följande tabell finns information om återvinning och hantering av produkten.

<b>Komponenter som kan återvinnas</b>	<b>Material</b>
Stål	Stål kan återvinnas genom att smältas ned och inkluderas som ett sekundärt material vid tillverkning av nytt stål.
Plast	Sortera som plastavfall.
Elektronik	De elektroniska komponenterna ska samlas in och sorteras som elektriskt avfall.

# Innholdsfortegnelse

Monteringsanvisning .....	100
Visuell hurtigveiledning .....	100
Symboler brukt i denne brukerhåndboken .....	101
Spesifikke sikkerhetsforholdsregler .....	101
Generell sikkerhet .....	102
Produktetikett .....	103
Tiltenkt bruk .....	105
Krav til operatører .....	105
Krav til brukere .....	105
Krav til omgivelsene ved bruk .....	105
Modeller .....	106
Bruksanvisning .....	107
Høydejustering .....	108
Rengjøring .....	109
Desinfeksjon .....	109
Vedlikehold .....	110
Serviceinspeksjon .....	110
Feilsøking .....	112
Tekniske data .....	113
Mål (mm) .....	114
Kassering og gjenvinning .....	115

## Monteringsanvisning



En monteringsanvisning er inkludert med dette produktet. Den kan også lastes ned fra [www.pressalit.com](http://www.pressalit.com).

## Visuell hurtigveiledning



En visuell hurtigveiledning er inkludert med produktet. Den kan også lastes ned fra [www.pressalit.com](http://www.pressalit.com).

# Symboler brukt i denne brukerhåndboken

De følgende symbolene brukes i denne brukerhåndboken og i den tilhørende dokumentasjonen som følger med produktet.

## **ADVARSEL**

**ADVARSEL** indikerer en potensiell farlig situasjon som, hvis den ikke unngås, kan føre til død eller alvorlig personskade.

## **FORSIKTIG**

**FORSIKTIG** angir en potensielt farlig situasjon som, hvis den ikke unngås, kan føre til mindre eller moderate personskader. Det kan også brukes for å advare mot feilaktig bruk.

## **VIKTIG**

**VIKTIG** angir viktig informasjon om korrekt håndtering og bruk av produktet.

## **MERKNAD**

**MERKNAD** indikerer forhold som ikke er relatert til personlig sikkerhet.



Advarsel om  
håndskade



Elektrisitet eller potensielt  
farlig spenning.



Advarsel om hodeskade

## Spesifikke sikkerhetsforholdsregler

### **FORSIKTIG**

- La aldri en person ligge på bordet uten tilsyn.
- Vær alltid forsiktig når en person flyttes på eller av bordet.

no

## Generell sikkerhet

### **ADVARSEL**

- Les og forstå brukerhåndboken fullstendig før bruk. Oppbevar brukerhåndboken nær enheten.
- Følg instruksjonene i denne brukerhåndboken for å unngå ulykker som kan føre til alvorlig personskade.
- Dette produktet skal aldri brukes eller håndteres på andre måter enn som beskrevet i denne brukerhåndboken. Dette kan redusere sikkerheten for deg og føre til skade på produktet.
- Sørg for at alle som skal montere eller bruke produktet og systemene, har all nødvendig informasjon og tilgang til denne brukerhåndboken.

### **FORSIKTIG**

- Følg disse instruksjonene for å unngå at produktet skades eller ødelegges.
- Ikke utfør reparasjoner, demonterings- eller monteringsoperasjoner, utvidelser, justeringer eller modifikasjoner på dette produktet. Dette skal kun utføres av Pressalit eller personer som er autorisert av Pressalit.
- La aldri barn bruke dette produktet uten tilsyn. Produktet er ikke et leketøy.
- Bruk aldri produktet hvis det er defekt eller skadet. Bruk ikke et defekt produkt før det er blitt reparert.

### **MERKNAD**

- Informasjonen i denne brukerhåndboken forutsetter at produktet er riktig montert i samsvar med våre monteringsinstruksjoner.
- Pressalit kan ikke holdes ansvarlig hvis produktet brukes på annen måte enn som beskrevet i veiledningen.
- Vi forbeholder oss retten til å foreta endringer i denne brukerhåndboken uten varsel.



⑩ IP-klasse

---

⑪ GS1-128-strekkode

---

⑫ Navn og adresse til produsent

---

⑬ Se brukerhåndboken

---

⑭ Se håndboken for viktig sikkerhetsinformasjon som advarsler og forholdsregler

---

⑮ Driftssyklus

---

⑯ Anvendt del Type B. Ved normal bruk vil en del av produktet nødvendigvis komme i fysisk kontakt med pasienten, for at produktets funksjon skal kunne utføres. Produktet overholder kravene i IEC 60601-1 angående beskyttelse mot elektrisk støt.

---

⑰ Skal ikke kastes sammen med usortert husholdningsavfall. Dette produktet skal samles inn separat og returneres til den relevante gjenvinningstjenesten.

---

⑱ Produktvekt

---

⑲ Partikode

---

⑳ Dette produktet inneholder ingen av de farlige substansene som nevnes i rådsdirektiv 2011/65/EF om RoHS.

---

⑳ Disse produktene er CE-merket i samsvar med relevante krav i:  
- Forordning (EU) 2017/745 (av 5. april 2017) om medisinsk utstyr.  
Rådsdirektiv 2006/42/EF (fra 17 mai 2006) om maskiner.  
Rådsdirektiv 2011/65/EF (fra 8 juni 2011) om RoHS.  
Du finner en samsvarserklæring på [www.pressalite.com](http://www.pressalite.com).

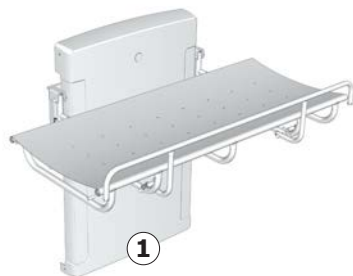
---

㉑ Elektrisk strøm

---



Plassering av produktetikett ①.



## Tiltenkt bruk

Dette produktet skal brukes til å dusje/bade en person som ikke kan stå eller sitte. Personen skal ligge horisontalt på bordet.

## Krav til operatører

Produktet skal brukes av kvalifisert pleiepersonell som er opplært i vask av pasienter.

## Krav til brukere

Produktet kan brukes av alle – voksne, barn, unge, eldre – som veier **maksimalt 150 kg**.

## Krav til omgivelsene ved bruk

For bruk innendørs i våtrom, som bad eller vaskerom. Produktet kan brukes ved romtemperatur i private hjem, på pleiehjem og sykehus under normale driftsforhold.



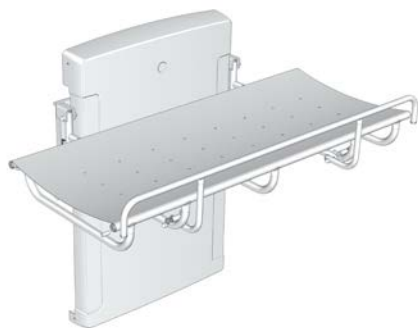
Produktets overflate kan bli varm og/eller kald hvis den utsettes for eksterne kilder for varme eller kulde (f.eks. sollys eller frost).

**MERKNAD**

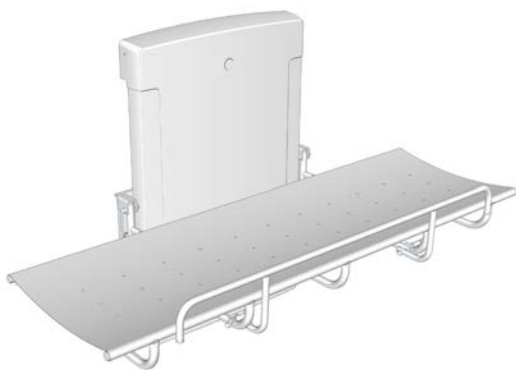
Enhver alvorlig hendelse som har oppstått i forbindelse med produktet, bør rapporteres til produsenten og helsemyndighetene.

no

# Modeller



R8402

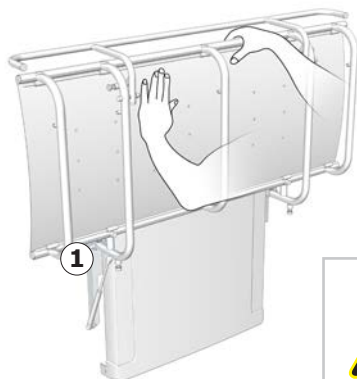


R8403

# Bruksanvisning

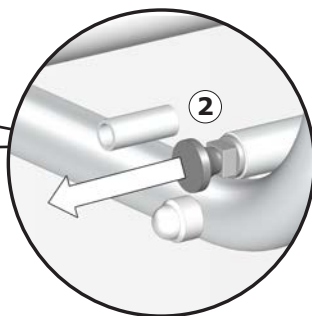
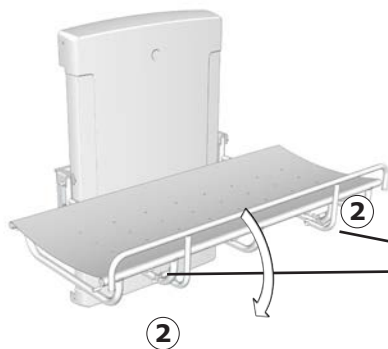
Støtt bordet med hånden eller kroppen når det slås ned, for å unngå risiko for skade.

De innebygde gassylindrene gjør det enkelt å slå opp bordet mot vegg en etter bruk.



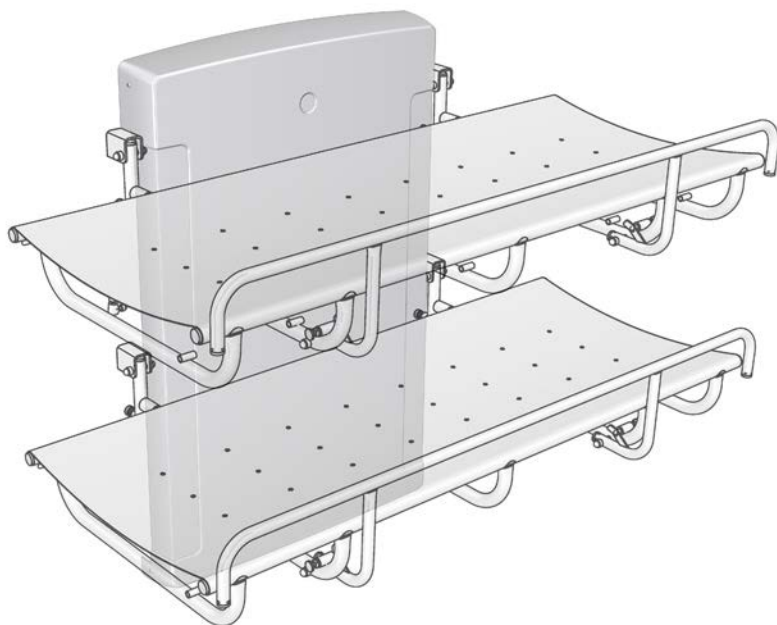
**Vær forsiktig for å unngå håndskade når hendene er i nærheten av lukkemekanismene ①.**

**Slik trekker du opp sikkerhetsskinen:** Sving sikkerhetsskinen oppover fra undersiden av bordet. Sikkerhetsskinen låses automatisk i posisjon.



**Slik slår du sammen sikkerhetsskinen:** Frigjør de to låsene ② samtidig, og sving sikkerhetsskinen nedover mot undersiden av bordet.

# Høydejustering



Når bordet er montert i anbefalt høyde, kan det justeres mellom 480 og 880 mm over gulvet.

Høydejusteringen kontrolleres med den kablede fjernkontrollenheten.

Trykk på Opp-knappen og hold den inne for å heve bordet, og trykk på Ned-knappen og hold den inne for å senke bordet.



**Pass på at det aldri er gjenstander under dusjstallebordet når du bruker høydejusteringssystemet.**

# Rengjøring

Rengjør dusjstallebordet etter hver bruk. Bruk vanlig såpevann. Skyll med rent vann og tørk med en myk klut.

## VIKTIG

- Ikke bruk autoklavering eller annen type damprengjøring.
- Unngå sterke rengjøringsmidler som inneholder syre eller klorid.
- Spray aldri dusjstallebordet direkte med en høytrykksspyler.
- Unngå bruk av sterke, skurende, korroderende eller kloridbaserte rengjørings- eller desinfeksjonsprodukter.

## Desinfeksjon

Hvis dusjstallebordet skal brukes på flere pasienter, må det både rengjøres og desinfiseres mellom hver pasient for å hindre risiko for kryssinfeksjon.

Du finner en liste over passende rengjørings- og desinfeksjonsmidler på [www.pressalit.com](http://www.pressalit.com)



## FORSIKTIG

Les alltid produktdatabladet (MSDS) og instruksjonene som følger med rengjørings-, desinfeksjons- eller kalkfjerningsmiddelet, og følg instruksjonene for sikker bruk, fortynning, skylling, tørking, håndtering og oppbevaring av middelet.

## MERKNAD

Hvis produktet installeres i omgivelser med høyt salt- eller kloridinnhold, reduseres garantien fra 3 år til 1 år.

Salt og klorid kan føre til korrosjon på produktets komponenter og vil føre til redusert produktlevetid. Skaden kan eventuelt reduseres ved å skylle produktet med vann fra springen daglig.

no

## Vedlikehold

Forventet levetid for dusjstellebordet er 10 år, forutsatt at det vedlikeholdes som beskrevet nedenfor:

Det anbefales å kjøre motorene til maksimal posisjon ukentlig ved å heve bordet til full høyde og deretter senke det til laveste posisjon, slik at de innvendige delene smøres.

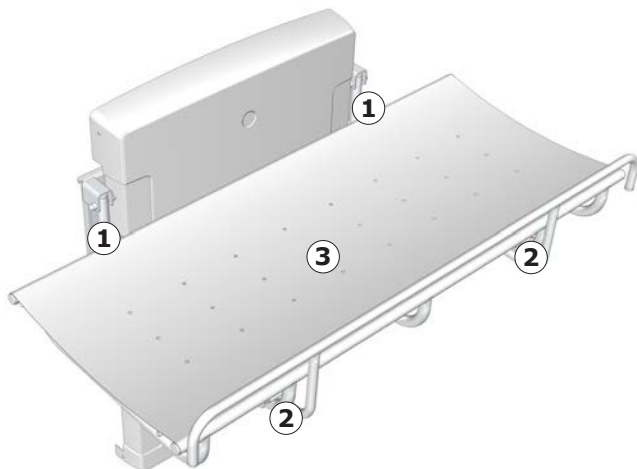
Det anbefales å utføre en serviceinspeksjon én gang i året.

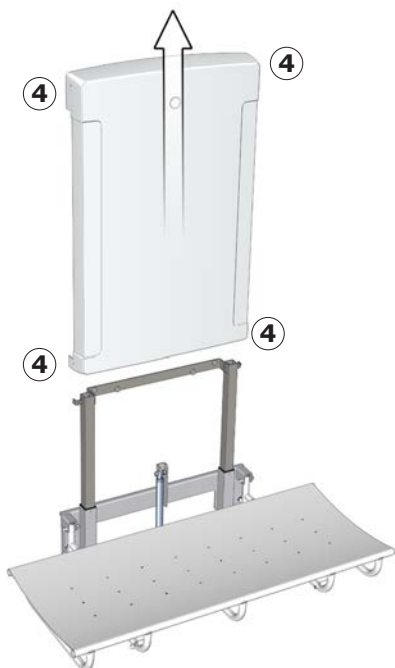


**Koble fra strømmen før du fjerner dekslene.**

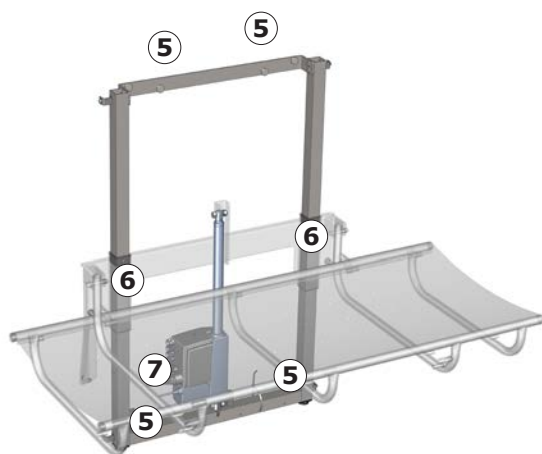
### Serviceinspeksjon

- Kontroller hengslene ① på bordet og sikkerhetsskinnen ②. Stram til om nødvendig.
- Kontroller kanvasen for skade ③, og skift ut om nødvendig.





- Fjern de øvre og nedre festeskrue ④ på dekslet, og fjern det forsiktig.



- Sjekk veggbrakettene ⑤ og stram dem ved behov.
- Smør bevegelige deler, spesielt glidebrakettene ⑥.
- Sjekk alle elektriske koblinger til kontrollboksen ⑦.
- Sett på plass dekslet igjen, og stram til festeskrue.
- Koble til strømmen igjen.

## Feilsøking

Symptom	Årsak	Tiltak
Dusjstallebordet holder seg ikke oppreist.	Gassylindrene er defekte.	Kontakt Pressalit eller din lokale forhandler.
Produktet fungerer ikke, selv om fjernkontrollen brukes riktig.	Feil på strømforsyningen.	Sjekk at alle ledninger og plugger er intakte og riktig tilkoblet. Kontakt Pressalit eller din lokale forhandler.
Dusjstallebordet heves og senkes ujevnt.	Glidebrakettene er ikke tilstrekkelig smurt.	Smør glidebrakettene som beskrevet i "Vedlikehold".

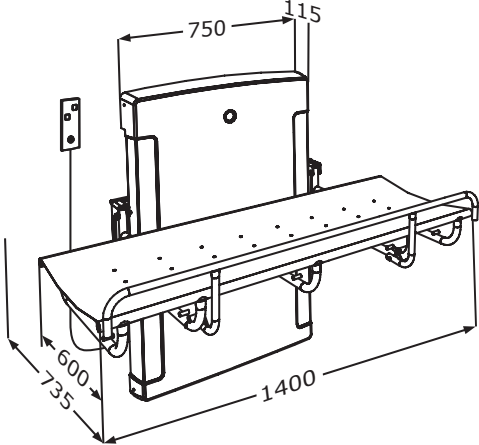
Kontakt Pressalit eller forhandleren hvis problemet vedvarer. Ikke prøv å reparere produktet selv, da dette vil gjøre garantien ugyldig.



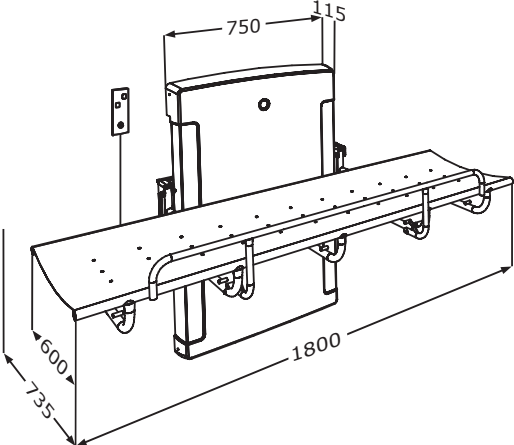
## Tekniske data

Maks. last	150 kg
Materialer	Pulverlakkert rustfritt stål Plast: PVC (kanvas) Polystyren (deksel)
Vekt	R8402: 44,46 kg R8403: 45,92 kg
IP-klasse	Produktet har inntrengningsbeskyttelsesrangering IPX6. Produktet skal ikke nedsenkes i vann, men tåler kraftig vannsprut (12,5 mm dyse) fra hvilken som helst retning.
<b>Strømspesifikasjoner</b>	
Maks. strømforbruk	70 W
Spenning	Nettstrømtilkobling: 230V/120V/100V
Frekvens	50/60 Hz
Strøm	0,3 A

**Mål (mm)**



**R8402**



**R8403**

no

## Kassering og gjenvinning

Enheden inneholder materiale som kan gjenvinnes. Det er ingen kjente farer eller risikoer forbundet med avhending av produktet. Alle komponenter kan kasseres når de er blitt rengjort og desinfisert.

Når produktet avhendes, anbefaler vi at det demonteres og sorteres i ulike avfallsgrupper for gjenvinning eller forbrenning.

Den følgende tabellen gir informasjon om gjenvinning og håndtering av produktet.

<b>Komponenter som kan gjenvinnes</b>	<b>Materiale</b>
Stål	Stål kan gjenvinnes ved at det omsmeltes og inkluderes som et sekundærmateriale ved produksjon av nytt stål.
Plast	Bruk plastsorterings- og -gjenvinningssystemer hvis slike finnes tilgjengelig lokalt. Hvis ikke kan plasten brennes, noe som genererer ny energi som for eksempel kan brukes ved kombinert varme- og kraftproduksjon.
Elektronikk	De elektroniske komponentene skal samles inn separat og returneres til den relevante gjenvinningstjenesten.

# Contenido

Instrucciones de montaje . . . . .	116
Guía visual de funcionamiento . . . . .	116
Símbolos utilizados en este manual . . . . .	117
Seguridad específica . . . . .	117
Seguridad general . . . . .	118
Etiqueta del producto . . . . .	119
Uso previsto . . . . .	121
Perfil de operador previsto . . . . .	121
Perfil de usuario previsto . . . . .	121
Entorno de funcionamiento . . . . .	121
Versiones . . . . .	122
Instrucciones de funcionamiento . . . . .	123
Regulación de la altura . . . . .	124
Limpieza . . . . .	125
Desinfección . . . . .	125
Mantenimiento . . . . .	126
Inspección de servicio . . . . .	126
Solución de problemas . . . . .	128
Datos técnicos . . . . .	129
Dimensiones (mm) . . . . .	130
Eliminación y reciclaje . . . . .	131

## Instrucciones de montaje



Este producto incluye instrucciones de montaje. Si lo prefiere, puede descargarlas desde [www.pressalit.com](http://www.pressalit.com).

## Guía visual de funcionamiento



Este producto incluye una guía visual de funcionamiento. Si lo prefiere, puede descargarla desde [www.pressalit.com](http://www.pressalit.com).

## Símbolos utilizados en este manual

Los símbolos siguientes se utilizan en el presente manual y en la documentación complementaria suministrada con el producto.



### ADVERTENCIA

**ADVERTENCIA** indica una posible situación de peligro que, de no evitarse, podría provocar la muerte o lesiones graves.



### ATENCIÓN

**ATENCIÓN** indica una posible situación de peligro que, de no evitarse, podría provocar lesiones leves o moderadas. También puede utilizarse para advertir de prácticas inseguras.

### IMPORTANTE

**IMPORTANTE** indica información importante sobre la manipulación y la utilización del producto.

### AVISO

**AVISO** se utiliza para hacer referencia a prácticas no relacionadas con la seguridad personal.



Advertencia de posibles lesiones en las manos



Tensiones y corrientes eléctricas potencialmente peligrosas



Advertencia de posibles lesiones en la cabeza.

## Seguridad específica



### ATENCIÓN

- No deje nunca a una persona en la camilla sin supervisión.
- Extreme siempre la precaución a la hora de trasladar a una persona a la camilla o de bajarla.

## Seguridad general



### ADVERTENCIA

- Lea todo el manual y asegúrese de entenderlo antes de cualquier uso. Mantenga el manual cerca de la unidad.
- Siga las indicaciones del manual para evitar accidentes que podrían ocasionar daños personales graves.
- No utilice ni manipule nunca el producto de forma distinta a como se especifica en el manual, ya que podría resultar peligroso y provocar daños en el producto.
- Asegúrese de que las personas que vayan a instalar o utilizar el producto y sus sistemas pueden acceder a este manual y disponen de la información necesaria.



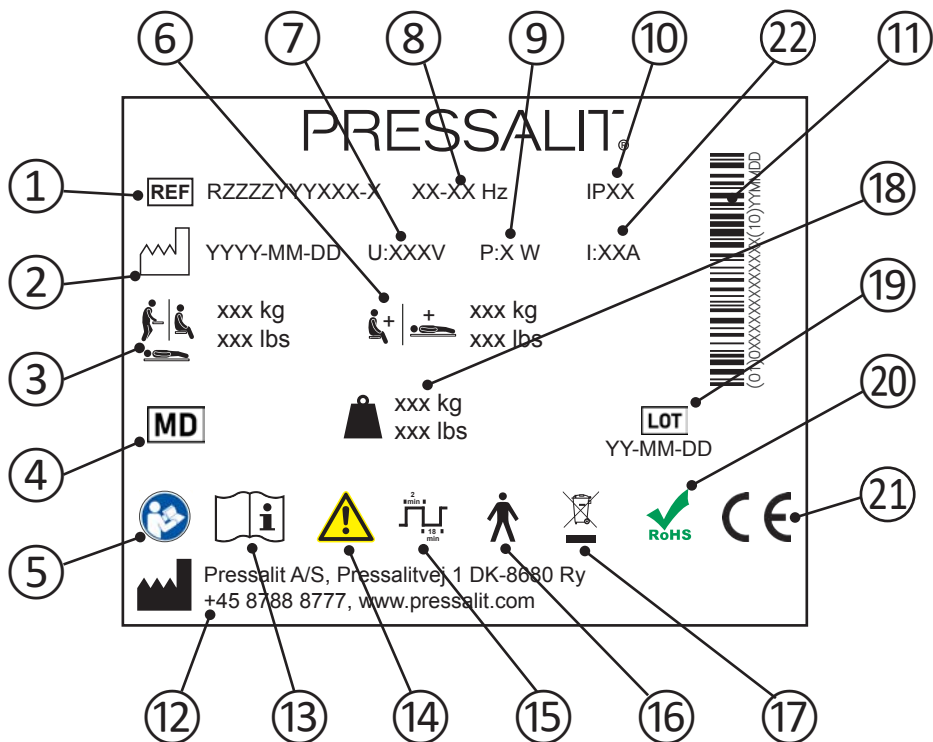
### ATENCIÓN

- Siga estas instrucciones para evitar dañar o destruir el producto.
- No lleve a cabo reparaciones ni operaciones de montaje y desmontaje, no instale extensiones ni reajuste o modifique el producto. Todas estas operaciones deben ser realizadas solamente por Pressalit o personas autorizadas por Pressalit.
- No deje nunca que los niños manipulen el producto sin supervisión. El producto no ha sido diseñado para el juego.
- No utilice nunca el producto si está defectuoso o dañado. No utilice nunca un producto defectuoso hasta que haya sido reparado.

### AVISO

- La información contenida en este manual se basa en el ajuste correcto del producto según nuestras instrucciones de montaje.
- Pressalit no se hace responsable de la utilización del producto de manera diferente a la descrita en la guía.
- Nos reservamos el derecho de modificar este manual sin previo aviso.

# Etiqueta del producto



- ① Número de artículo

---

- ② Fecha de fabricación

---

- ③ Peso máximo del usuario

---

- ④ Producto sanitario

---

- ⑤ Consulte el manual de uso

---

- ⑥ Carga máxima

---

- ⑦ Voltaje

---

- ⑧ Frecuencia

---

- ⑨ Consumo máximo de energía

⑩ Clase IP

---

⑪ Código de barras GS1-128

---

⑫ Nombre y dirección del fabricante

---

⑬ Consulte el manual de uso

---

⑭ Consulte el manual para conocer la información de precaución importante como las advertencias y las precauciones.

---

⑮ Ciclo de trabajo

---

⑯ Pieza aplicada de tipo B. Parte del producto entra en contacto físico con el paciente durante su uso normal. El producto cumple los requisitos de la normativa IEC 60601-1 para garantizar la protección frente a descargas eléctricas.

---

⑰ No deseche el producto como residuo urbano no seleccionado. El producto debería recogerse por separado y ser trasladado al centro de reciclaje designado.

---

⑱ Indicación de peso

---

⑲ Código de lote

---

⑳ Este producto no contiene sustancias peligrosas mencionadas en la Directiva 2011/65/CE del Consejo sobre RoHS.

---

Estos productos tienen la marca CE de acuerdo con los requisitos relevantes en:

- Reglamento (UE) 2017/745 (de 5 de abril de 2017) sobre los productos sanitarios.

㉑ - La Directiva 2006/42/CE (del 17 de mayo de 2006) sobre maquinaria.

- La Directiva 2011/65/CE (del 8 de junio de 2011) sobre RoHS.

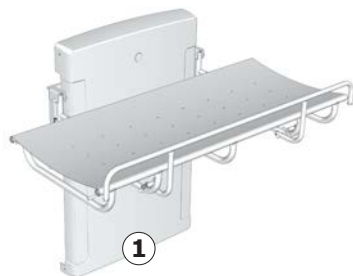
Puede encontrar la declaración de conformidad en [www.pressalit.com](http://www.pressalit.com).

---

㉒ Corriente eléctrica



Ubicación de la etiqueta del producto ①.



## Uso previsto

Este producto se ha diseñado para bañar a personas que no pueden mantenerse en pie o sentarse. La persona permanece horizontal en la camilla.

## Perfil de operador previsto

El producto debe utilizarlo únicamente personal formado en asistencia sanitaria y en el aseo asistencial.

## Perfil de usuario previsto

El producto puede ser utilizado con cualquier persona (adultos, niños, jóvenes, ancianos) cuyo peso no supere la **carga máxima de 150 kg**.

## Entorno de funcionamiento

Para uso en interiores de ambientes húmedos tales como baños o zonas de aseo. El producto está diseñado para ser utilizado a temperatura ambiente en casas privadas, centros de cuidado para personas mayores y hospitales en condiciones de trabajo normales.



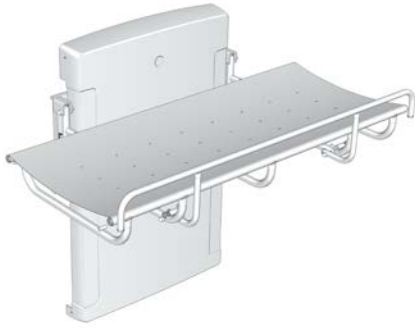
La superficie del producto puede estar caliente y/o fría si se expone a fuentes de calor o frío externas (p. ej., luz solar o escarcha).

## AVISO

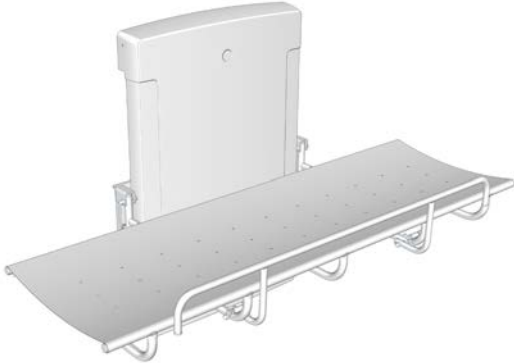
Cualquier incidente grave relacionado con el producto debe comunicarse al fabricante y a la autoridad competente.

es

# Versiones



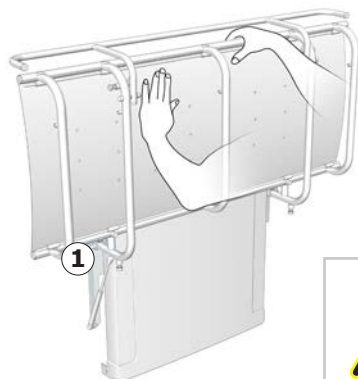
R8402



R8403

# Instrucciones de funcionamiento

Sujete la camilla con la mano o el cuerpo cuando la pliegue hacia abajo para evitar daños.

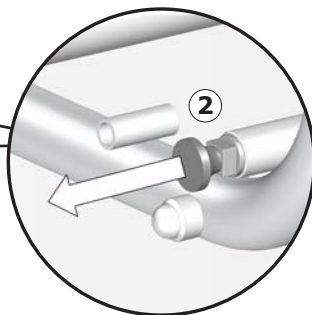
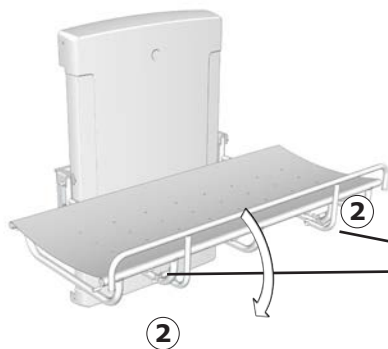


Los cilindros de gas integrados facilitan el plegado de la camilla hacia la pared después de su uso.



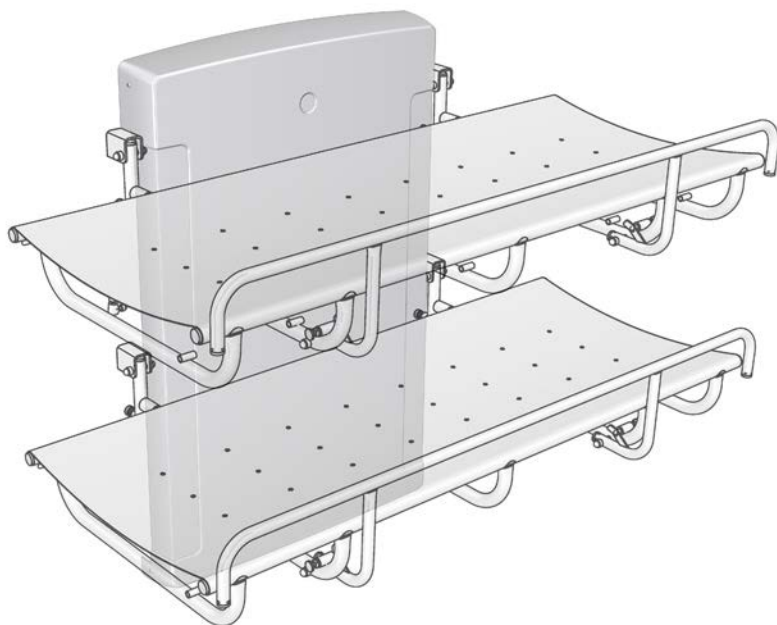
**Extreme la precaución para evitar lesionarse las manos alrededor de los cierres mecánicos ①.**

**Para levantar la barra de seguridad:** arrastre la barra de debajo de la camilla hacia arriba. La barra de seguridad se bloqueará automáticamente en su sitio.



**Para bajar la barra de seguridad:** Desbloquee los dos seguros ② simultáneamente y arrastre la barra hasta debajo de la camilla.

## Regulación de la altura



Cuando la camilla se instala a la altura recomendada, se puede ajustar entre 480 y 880 mm sobre el nivel del suelo.

El ajuste de la altura se controla remotamente con una unidad de control remota con cable.

Pulse y mantenga pulsado el botón de subida para subir la camilla o el botón de bajada para bajarla.



**Asegúrese de que no haya ningún objeto debajo de la camilla de ducha mientras utiliza el sistema de regulación de altura.**

# Limpieza

Limpie la camilla de ducha después de cada uso. Utilice agua jabonosa. Aclare con agua corriente y séquela con un paño suave.

## IMPORTANTE

- No utilice sistemas de autoclave ni ningún otro tipo de limpieza a vapor.
- Evite los agentes limpiadores agresivos que contengan ácidos o cloruros.
- Nunca pulverice la camilla de ducha directamente con limpiadores de alta presión.
- Evite el uso de productos de limpieza o desinfectantes agresivos, abrasivos, corrosivos o que contengan cloruro.

## Desinfección

Si la camilla de ducha se utiliza para varios pacientes, es necesario limpiarla y desinfectarla entre los usos con cada paciente para evitar el riesgo de infecciones cruzadas.

Encontrará una lista de agentes limpiadores y desinfectantes en [www.pressalit.com](http://www.pressalit.com)

## ATENCIÓN

Lea siempre las hojas de datos de seguridad (MSDS) y las instrucciones suministradas de limpieza, desinfección o del agente descalcificador y siga las instrucciones de uso seguro, dilución, aclarado, secado, manipulación y almacenamiento del agente.

## AVISO

Si el producto se instala en un ambiente salino o con mucho cloruro, la garantía se reducirá de los 3 años normales a 1 año.

La sal y el cloruro tienen un efecto corrosivo sobre los componentes del producto que reduce la expectativa de vida del producto. Sin embargo, los efectos nocivos pueden mitigarse si el producto se limpia diariamente con agua corriente.

# Mantenimiento

La vida útil esperada de la camilla de ducha es de 10 años, siempre y cuando se realice su mantenimiento tal y como se describe a continuación:

Se recomienda hacer funcionar los motores del producto hasta las posiciones máximas una vez a la semana; para hacerlo, eleve la camilla hasta su altura máxima y luego bájela hasta la posición más baja para que se lubriquen los componentes internos.

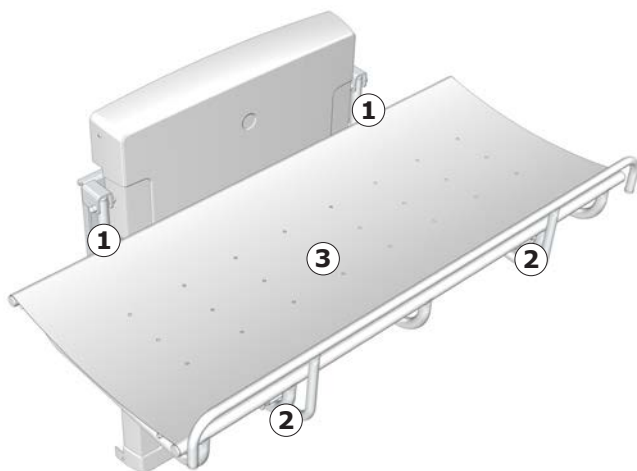
Se recomienda realizar una inspección de servicio anual.

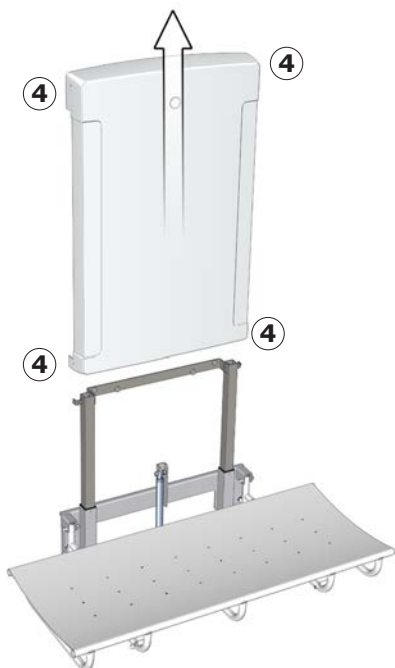


**Desconecte la  
electricidad antes de  
retirar las cubiertas.**

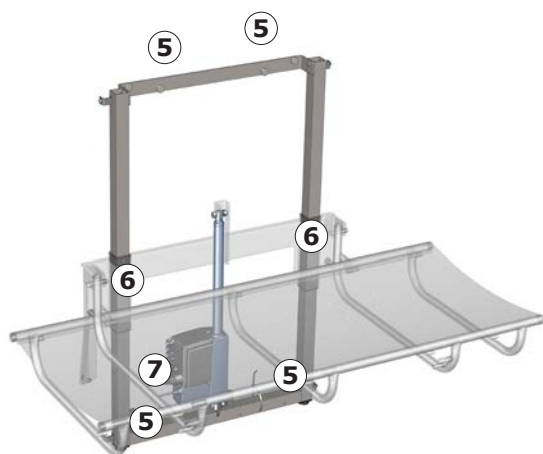
## Inspección de servicio

- Revise los dispositivos de montaje ① de la camilla y la barra de seguridad ②. Ajustelas si es preciso.
- Compruebe que la estructura de ③ no esté dañada y sustitúyala si es necesario.





- Quite los tornillos de fijación superiores e inferiores ④ de la cubierta para poder retirarla.



- Compruebe la fijación de montaje a la pared ⑤ y asegúrela si es necesario.
- Lubrique las piezas móviles, sobre todo los soportes deslizables ⑥.
- Revise todas las conexiones eléctricas de la caja de control ⑦.
- Vuelva a colocar la cubierta y sujétela con los tornillos de fijación.
- Vuelva a conectar la electricidad.

## Solución de problemas

Síntoma	Causa	Acción
La camilla de ducha no se mantiene en posición vertical.	Los cilindros de gas no funcionan correctamente.	Póngase en contacto con Pressalit o su distribuidor local.
El producto no funciona a pesar de que el control remoto se utiliza correctamente.	Error del suministro de corriente.	Compruebe que todos los cables y enchufes estén en buen estado y conectados correctamente. Póngase en contacto con Pressalit o su distribuidor local.
La camilla de ducha sube y baja de forma irregular.	Los soportes deslizables no están bien lubricados.	Lubrique los soportes deslizables como se describe en el apartado “Mantenimiento”.

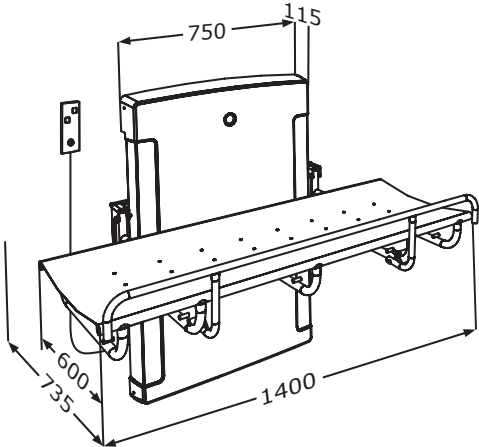
Póngase en contacto con Pressalit o su distribuidor si no logra solucionar el problema. No intente reparar el producto usted mismo, ya que anularía la garantía.



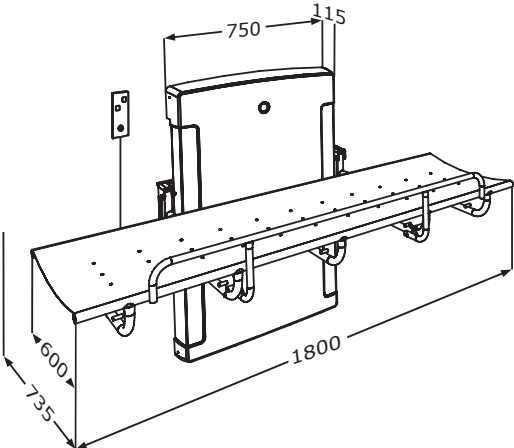
## Datos técnicos

Carga máxima	150 kg
Materiales	Acero inoxidable lacado en polvo Plásticos: PVC (estructura) Poliestireno (cubierta)
Peso	R8402: 44,46 kg R8403: 45,92 kg
Clase IP	El producto tiene un valor de protección de ingreso IPX6. El producto no puede ser sumergido en agua, pero se ha diseñado para soportar fuertes chorros de agua (boquilla de 12,5 mm) desde cualquier dirección.
<b>Especificaciones de alimentación</b>	
Consumo máximo	70 W
Voltaje	Conexión eléctrica: 230 V/120 V/100 V
Frecuencia	50/60 Hz
Corriente	0,3 A

# Dimensiones (mm)



**R8402**



**R8403**



## Eliminación y reciclaje

La unidad contiene materiales reutilizables. No se conocen peligros o riesgos relacionados con la eliminación del producto. Todos los componentes pueden ser desechados una vez limpiados y desinfectados.

Para eliminar el producto, se recomienda desmontarlo y separar sus piezas en diferentes grupos de residuos para su reciclaje o combustión.

En la siguiente tabla encontrará información sobre el reciclaje y la gestión del producto.

<b>Componentes reciclables</b>	<b>Material</b>
Acero	El acero puede reciclarse mediante refundido e incluirse en un material secundario para la producción de acero nuevo.
Plásticos	Utilice los sistemas de clasificación y reciclaje disponibles localmente; si no los hubiera, la incineración de plástico tiene el beneficio añadido de generar energía, que puede utilizarse para la producción combinada de calor y energía.
Componentes electrónicos	Los componentes electrónicos deberían recogerse por separado y ser trasladados al centro de reciclaje designado.

# 目录

安装说明.....	132
操作详解图.....	132
本手册使用的标志.....	133
特殊安全要求.....	133
一般安全要求.....	134
产品标签.....	135
用途.....	137
操作员说明.....	137
使用者说明.....	137
工作环境.....	137
型号.....	138
操作说明.....	139
高度调整.....	140
清洁.....	141
消毒.....	141
维护.....	142
维修检查.....	142
故障排解.....	144
技术参数.....	145
尺寸 (毫米).....	146
处理与回收.....	147

## 安装说明



本产品随附安装说明，也可从 [www.pressalit.com](http://www.pressalit.com) 下载。

## 操作详解图



本产品随附操作详解图。该详解图也可从 [www.pressalit.com](http://www.pressalit.com) 下载。

# 本手册使用的标志

本手册和本产品随附的相关文件使用以下标志。



**警告**提醒使用者注意潜在危险状况，如果未能避开这种状况，可能导致人员死亡或严重伤害。



**小心**提醒使用者注意潜在危险状况，如果未能避开这种状况，可能导致轻度或中度伤害。该标志也可用于提醒不安全行为。

## 重要信息

**重要信息**提醒使用者注意操作和使用本产品的重要信息。

## 注意

**注意**用于提醒与人身安全无关的行为。



手部受伤警告



电流或潜在危险电压。



头部受伤警告。

# 特殊安全要求



- 若无人看管，切勿让使用者躺在洗澡床上。
- 帮使用者上下洗澡床时，务必小心谨慎。

# 一般安全要求

## 警告

- 使用前，请通读并理解本手册。将手册存放在设备附近。
- 按照本手册操作，避免发生造成严重人身伤害的意外。
- 使用或操作本产品时，切勿采用本手册并未介绍的其他方式，因为这会危及您的安全并损坏产品。
- 确保安装或使用本产品及其系统的人员均掌握必要信息并可查阅本手册。

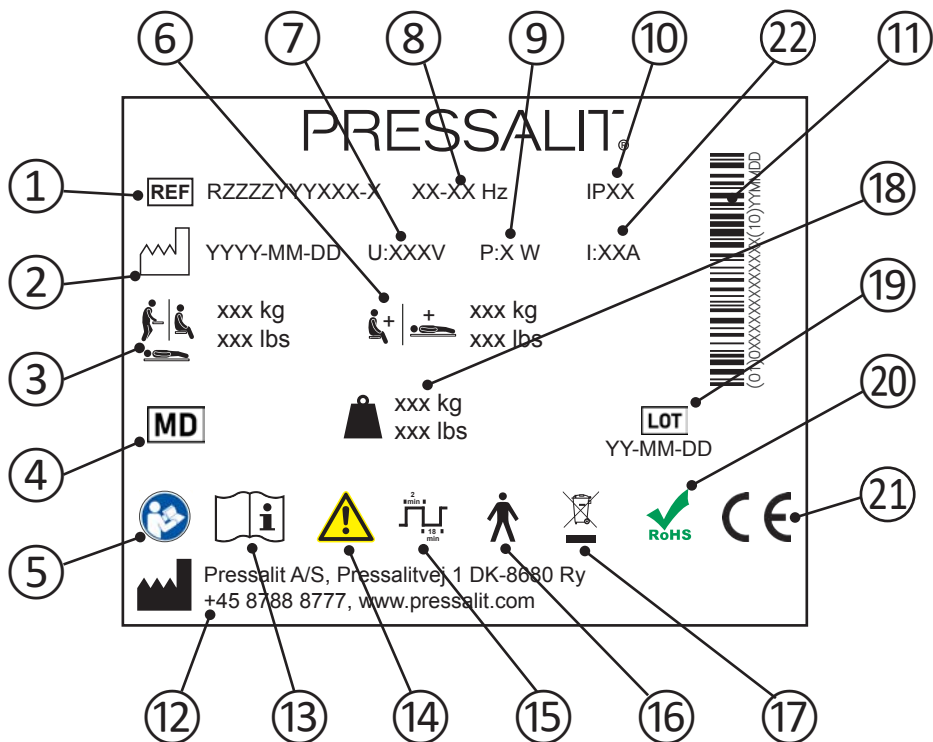
## 小心

- 请遵守相关说明，避免产品受损或损毁。
- 切勿维修、拆卸或组装、扩展、重新调整或改装本产品。这些操作必须由 Pressalit 或 Pressalit 授权的人士执行。
- 若无人看管，请不要让儿童操作本产品。本产品不适用于娱乐游戏。
- 产品如有缺陷或损坏，切勿使用。缺陷产品待修理后方可使用。

## 注意

- 本手册资料以按照组装说明正确安装本产品为基础。
- 如果以指南所述以外的方法使用本产品，Pressalit 概不负责。
- 我们保留修订本手册的权利，恕不另行通知。

# 产品标签



① 货号

② 生产日期

③ 最大使用者体重

④ 医疗器械

⑤ 请参考使用手册

⑥ 最大荷载

⑦ 电源电压

⑧ 频率

⑨ 最大功耗

⑩ IP 等级

---

⑪ GS1-128 条形码

---

⑫ 生产商名称和地址

---

⑬ 请参考使用手册

---

⑭ 请查阅手册，了解警告和注意事项等重要警示信息

---

⑮ 占空比

---

⑯ B 类应用部件。产品部件在正常使用时需要与患者有身体接触，方可执行其功能。本产品符合 IEC 60601-1 要求，有防电击保护功能

---

⑰ 请勿按未分类生活垃圾处理。本产品应被单独收集，然后送至指定的回收服务点。

---

⑱ 产品重量

---

⑲ 批次代码

---

⑳ 本产品不含欧盟 RoHS 指令 2011/65/EC 规定的任何有害物质。

---

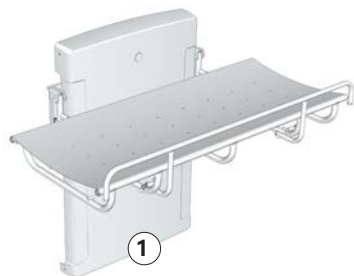
㉑ 本产品根据欧洲医疗器材指令 93/42/EEC (包括修订指令 2007/47/EEC) 加贴 CE 标志。如需符合性声明，请访问 [www.pressalit.com](http://www.pressalit.com)。

---

㉒ 电流



产品标签位置 ①.



## 用途

本产品用于为无法站立或坐下的人士洗澡时使用。使用者水平躺在洗澡床上。

## 操作员说明

本产品由接受过健康护理培训，并经过训练可为他人进行洗澡护理的人员操作。

## 使用者说明

本产品可供体重不超过**最大荷载 150 公斤**的所有人群使用，包括成人、儿童、年青人、老人。

## 工作环境

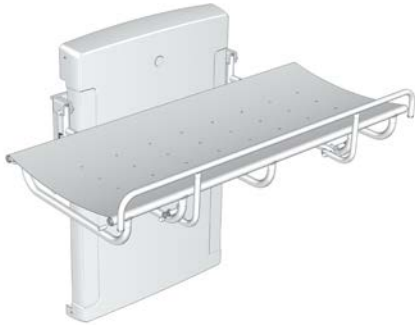
在室内使用，如浴室或盥洗室。本产品在室温下使用，可在私人住所、疗养院和医院中在正常工作条件下运行。

### 注意

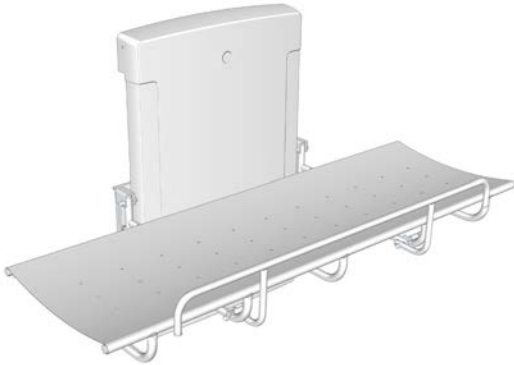
如果产品安装在盐分或氯化物含量较高的环境中，保修期将从正常的 3 年减至 1 年。

盐分和氯化物对产品元件有腐蚀性，并会导致产品预期使用寿命缩短。然而，如果每天用自来水冲洗产品，损坏影响可以减小。

# 型号



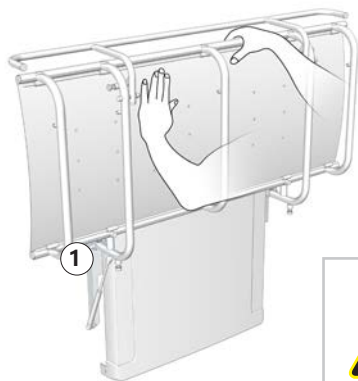
R8402



R8403

# 操作说明

向下折叠洗澡床时应用手或身体支撑洗澡床，以免损坏。

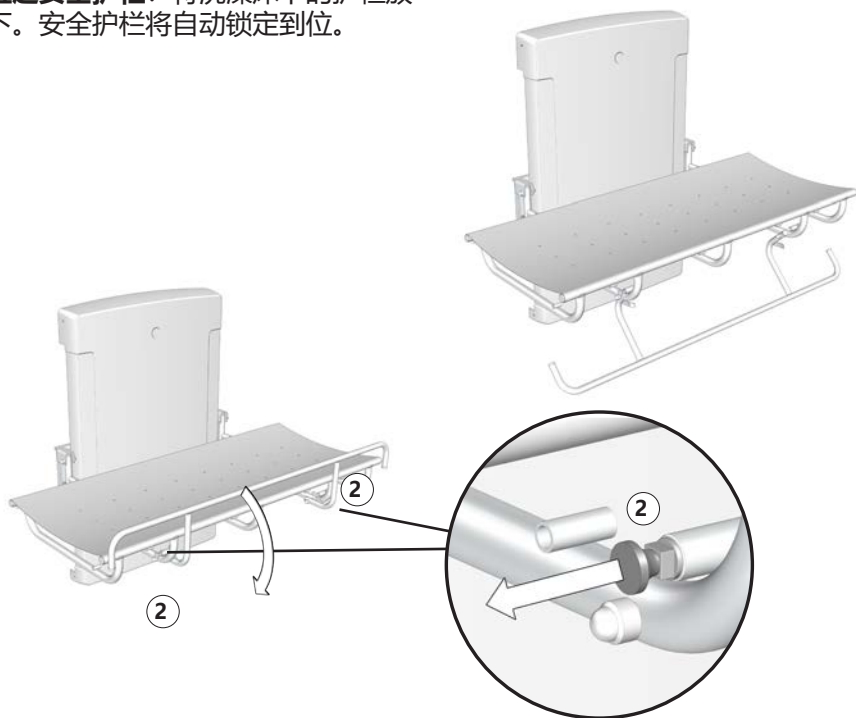


通过内置汽缸，可以轻松地在使用后靠墙折叠洗澡床。



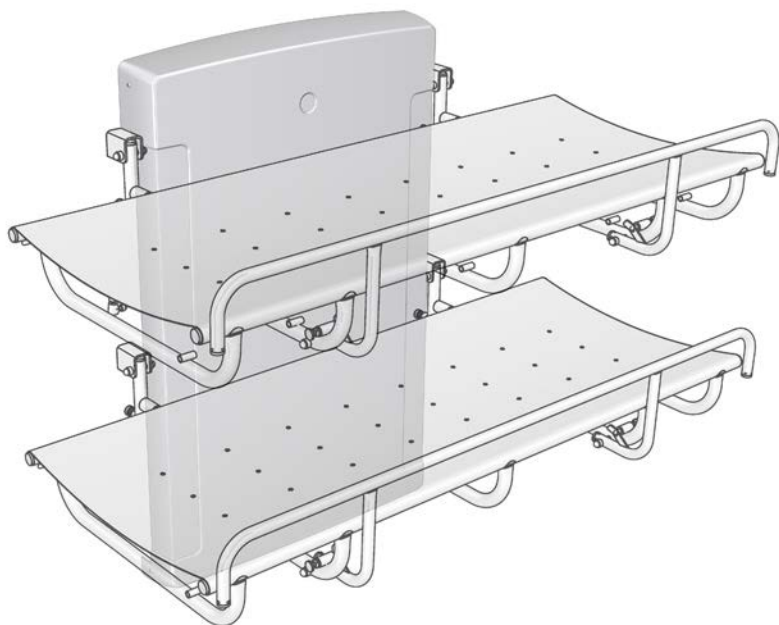
**小心不要将手放在闭合机械部件①附近以免受伤。**

**拉起安全护栏：**将洗澡床下的护栏放下。安全护栏将自动锁定到位。



**收起安全护栏：**同时解开两个锁②并且将安全护栏收到洗澡床下。

## 高度调整



如果按照建议高度安装洗澡床，则可以在距地面 480 至 880 毫米的高度区间调整洗澡床高度。

高度调整由有线遥控装置控制。

按住“向上”按钮升高洗澡床，按住“向下”按钮降低洗澡床。



在操作高度调整系统时，确保洗澡床下没有任何物品。

# 清洁

每次使用后洗澡床都需要清洁。使用普通肥皂水。用清水冲洗，然后用软布擦干。

## 重要信息

- 切勿使用高压灭菌器或其他类型的蒸汽清洁器。
- 避免使用含酸或氯化物的强力清洁剂。
- 切勿使用高压清洁器直接喷洗洗澡床。
- 避免使用强力、磨蚀性、腐蚀性或氯化物型的清洁或消毒产品。

# 消毒

多名患者共用洗澡床时，需要在下一患者使用前清洁并消毒洗澡床，避免交叉感染的风险。

有关适用清洁剂和洗涤剂的列表，请访问 [www.pressalit.com](http://www.pressalit.com)



务必阅读材料安全数据表 (MSDS) 和随附的清洁、消毒或除垢剂说明，并按照说明安全使用、稀释、冲洗、干燥、处理和储存溶剂。

# 维护

若按下述说明进行维护，洗澡床的预计使用年限为 10 年：

建议每周执行一次：将洗澡床升至最高点再降至最低点，使产品电动机运行至最大行程，以此润滑内部部件。

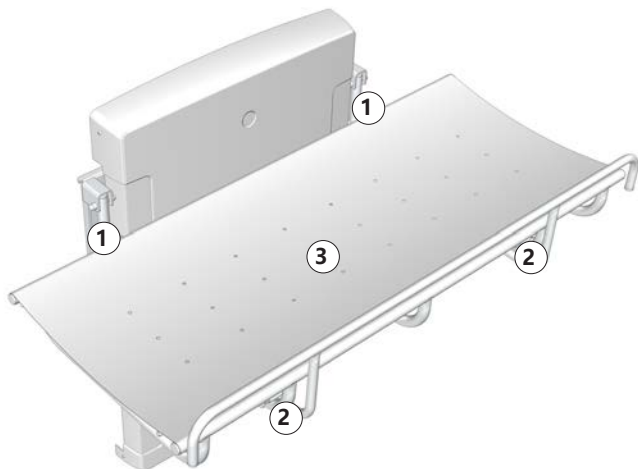
建议一年进行一次维修检查。

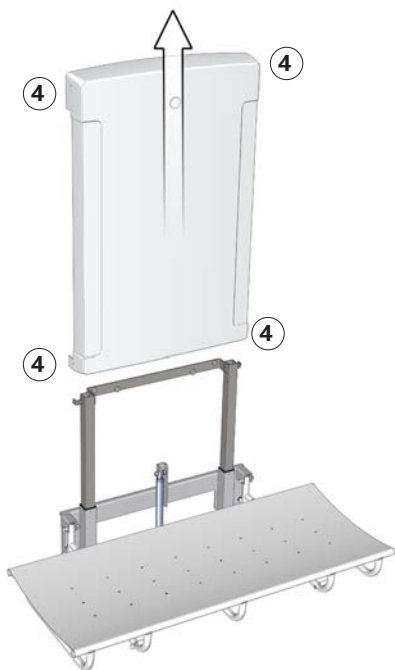


在取下盖子之前，断开总电源。

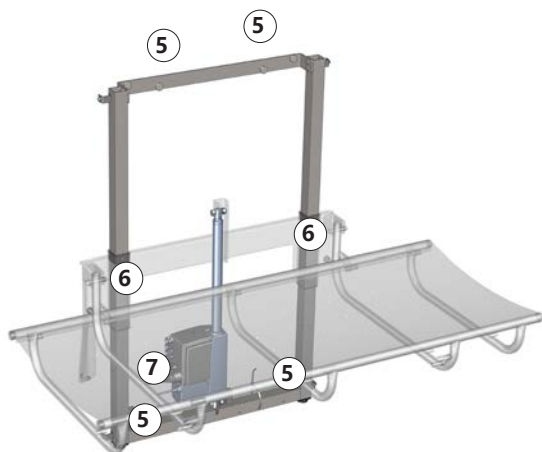
## 维修检查

- 检查洗澡床上①和安全护栏②上的铰链。按需要拧紧。
- 检查帆布③的磨损情况，并在必要时更换。





- 拆除升降装置外壳的上下固定螺丝④，然后小心取下外壳。



- 检查墙轨⑤，并按需要拧紧。
- 润滑移动部件，特别是滑轨⑥。
- 检查控制箱⑦的所有电气连接。
- 重新装上装置外壳，然后拧紧固定螺丝。
- 接通总电源。

## 故障排解

现象	原因	操作
洗澡床无法垂直放置。	汽缸损坏。	联系 Pressalit 或当地经销商。
即使正确使用遥控，产品仍无法运作。	电源出现故障。	检查所有电线和插座是否完好无损且正确连接。 联系 Pressalit 或当地经销商。
洗澡床上升下降时不稳。	滑轨润滑不足。	按“维护”中的描述润滑滑轨。

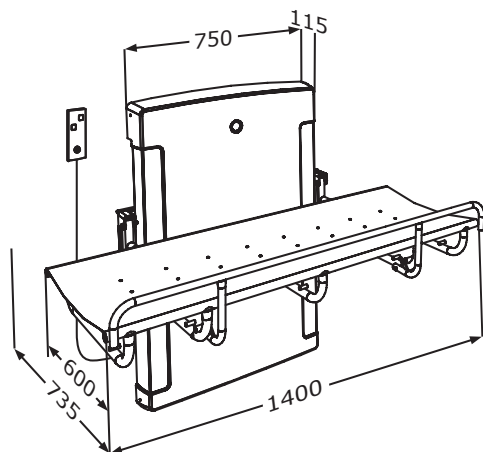
如果仍无法解决问题，联系 Pressalit 或您的经销商。切勿尝试自行维修产品，因为这会导致保修失效。



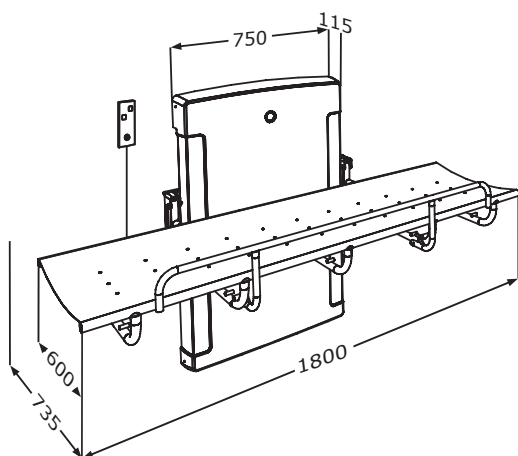
# 技术参数

最大荷载	150 公斤
材料	粉漆不锈钢 塑料： PVC（帆布） 聚乙烯（外壳）
重量	R8402: 44.46 公斤 R8403: 45.92 公斤
IP 等级	本产品的防护等级为 IPX6。本产品不能浸入水中，但是，可以承受各方向喷来的大水柱（12.5 毫米喷嘴）。
<b>电源规格</b>	
最大功耗	70瓦
电压	电源连接：230 伏/120 伏/100 伏
频率	50/60 赫兹
电流	0.3 安

## 尺寸 (毫米)



**R8402**



**R8403**

# 处理与回收

装置中含有可重复使用的材料。处理产品并不存在已知危险或风险。所有组件在清洁和消毒后方可丢弃。

处理产品时，建议按照不同的垃圾种类将产品进行拆卸和分解，再回收或烧毁。

下表提供关于回收和处理产品的资料。

可回收组件	材料
钢	钢可在重新熔化后循环再用，并用作新钢生产的二次材料。
塑料	如果当地有塑料分类回收系统，应妥善使用。如果没有，焚烧塑料也具有产生能源的额外优点，例如可用于热电联产等用途。
电子组件	电子组件应单独收集，然后送至指定的回收服务点。

[www.pressalit.com](http://www.pressalit.com)

- en** Visit our website to find your local dealer and get further information about Pressalit and our solutions for bathrooms and kitchens.
- 
- dk** Besøg vores hjemmeside for at finde din lokale forhandler og få yderligere oplysninger om Pressalit og vores løsninger inden for bad og køkken.
- 
- de** Besuchen Sie unsere Website, und finden Sie einen Händler in Ihrer Nähe, um mehr über Pressalit und unsere Lösungen für Badezimmer und Küchen zu erfahren.
- 
- fr** Rendez-vous sur notre site Internet pour trouver les coordonnées du revendeur le plus proche et obtenir des informations sur Pressalit et nos solutions pour la salle de bains et la cuisine.
- 
- nl** Breng een bezoek aan onze website om te zien waar u onze producten kunt kopen en voor meer informatie over Pressalit en onze oplossingen voor badkamers en keukens.
- 
- sv** Besök vår webbplats för att hitta en lokal återförsäljare och för mer information om Pressalit och våra lösningar för kök och badrum.
- 
- no** Besøk nettstedet vårt for å finne din lokale forhandler og få ytterligere informasjon om Pressalit og løsningene våre for bad og kjøkken.
- 
- es** Visite nuestro sitio Web para localizar su distribuidor local y obtener información adicional sobre Pressalit y nuestras soluciones para cuartos de baño y cocinas.
- 
- 中文** 请访问我们的网站查询您所在地的经销商，以便获得关于Pressalit 以及我们其他浴室和厨房用品更详细的信息资料。

