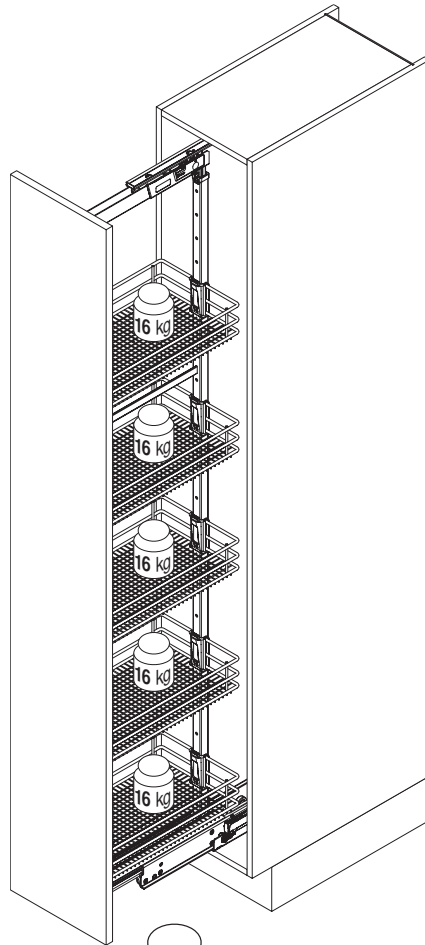
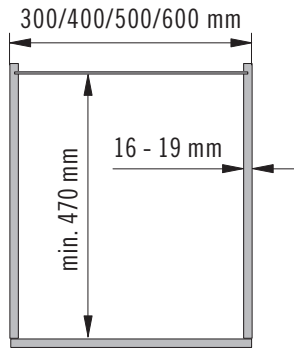
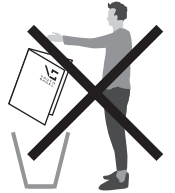
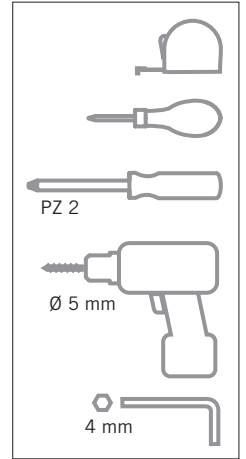


# VS TAL<sup>®</sup> Larder 470

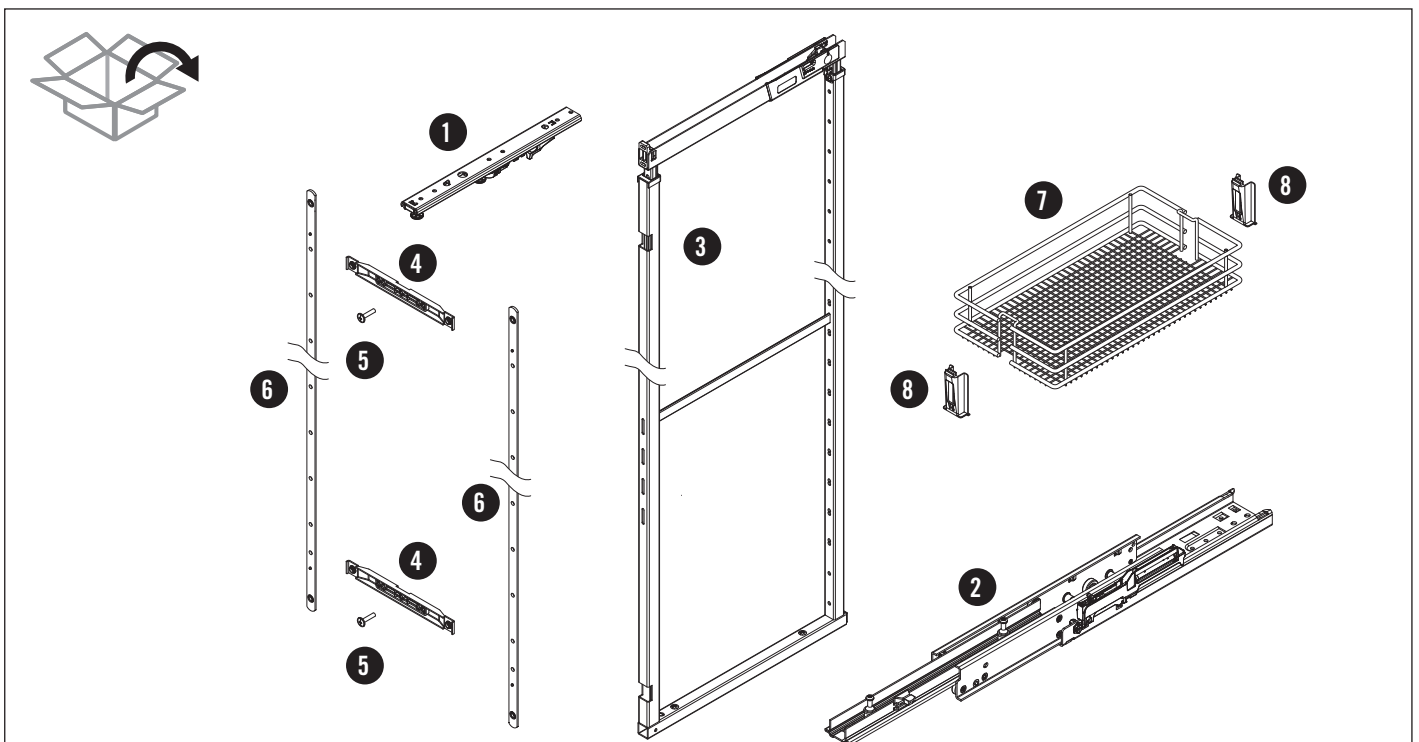
**VAUTH  
SAGEL**

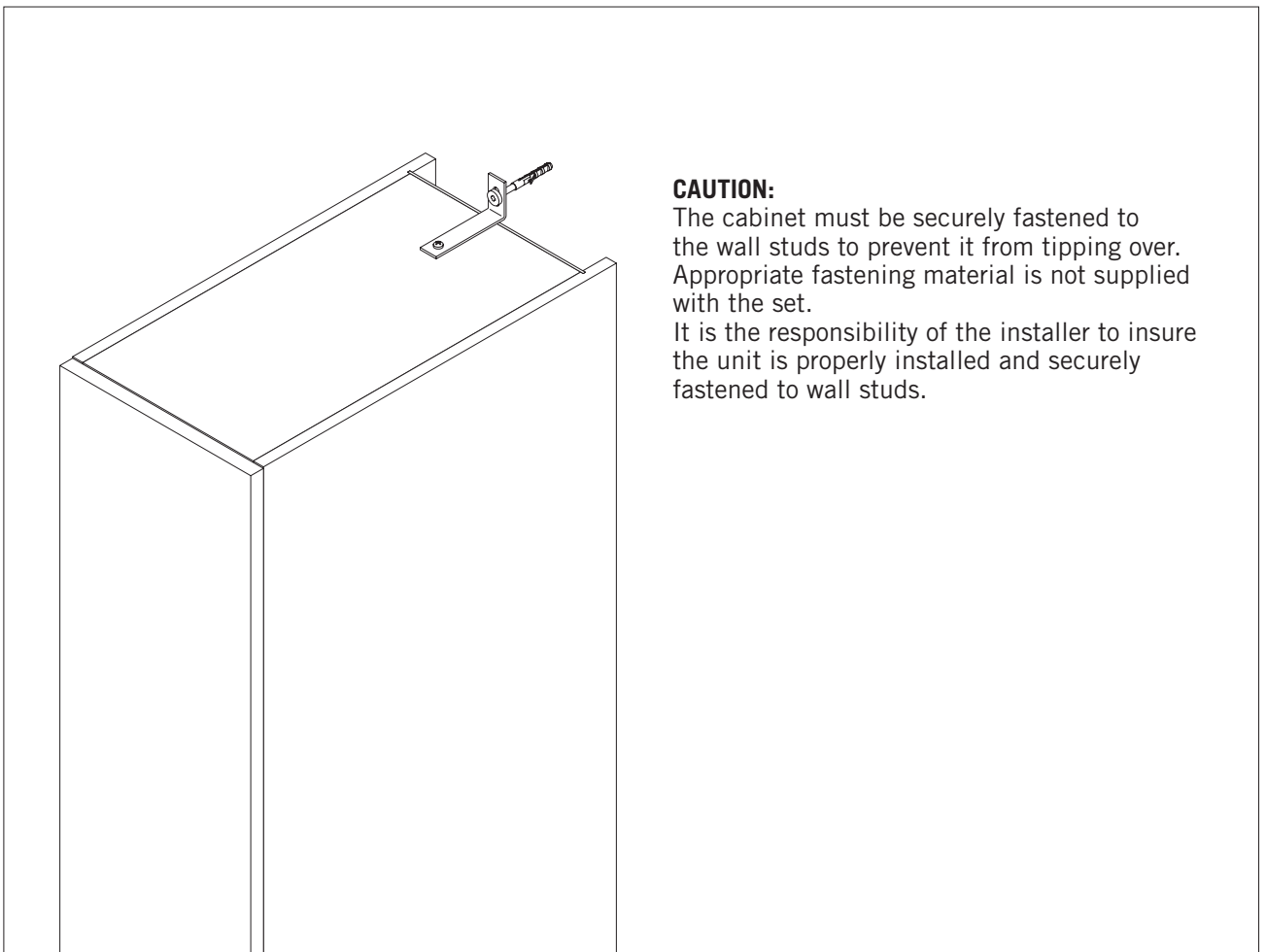
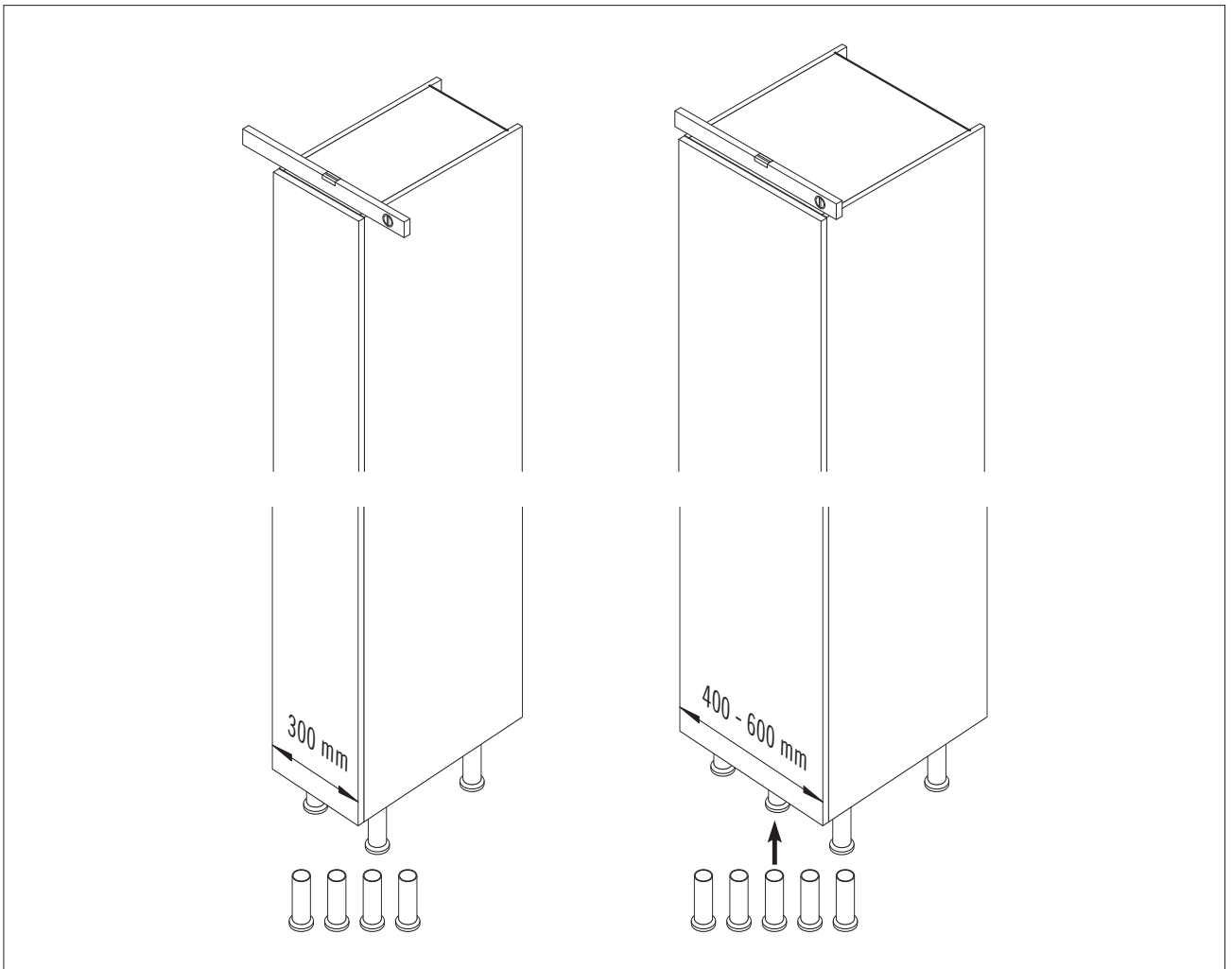


$\Sigma$  = max. 80 kg



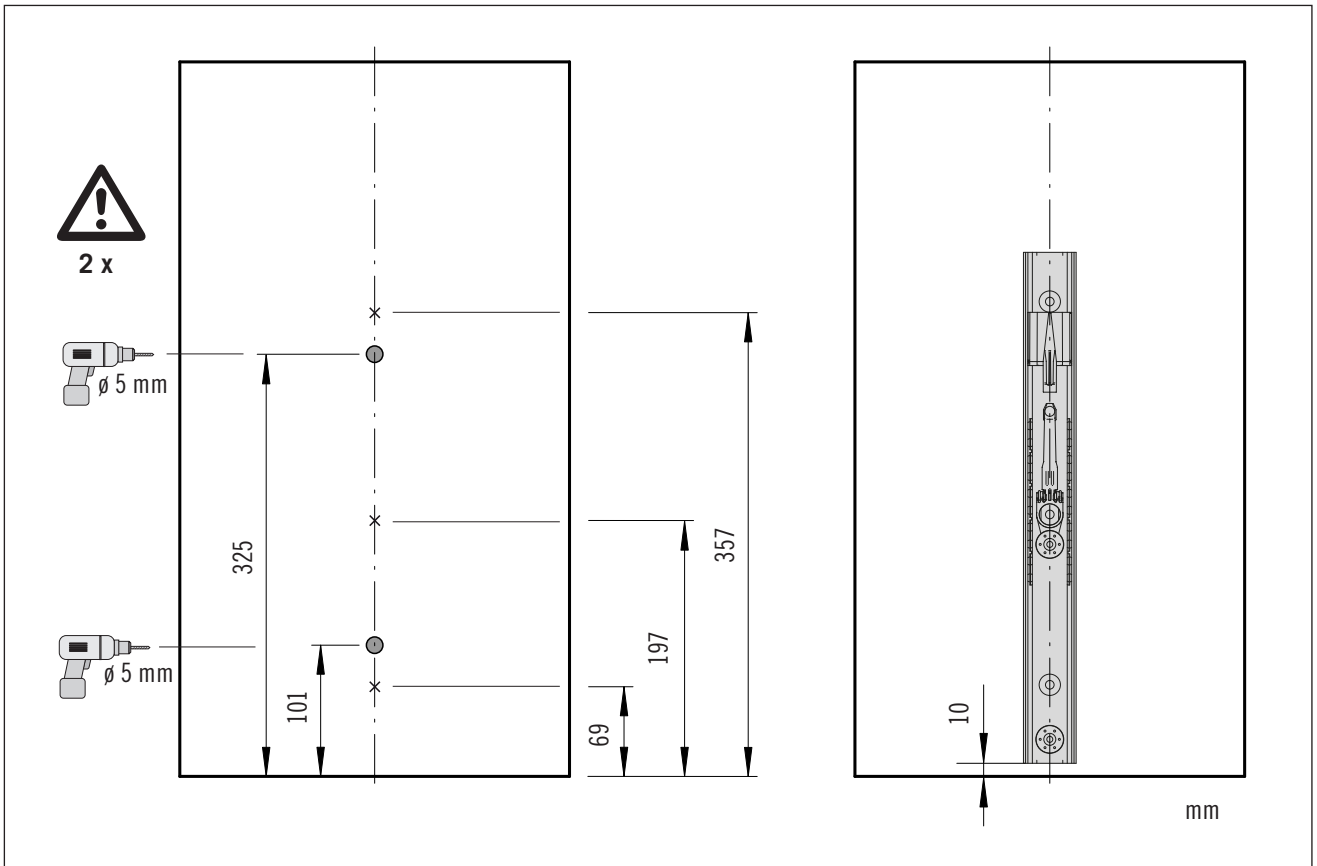
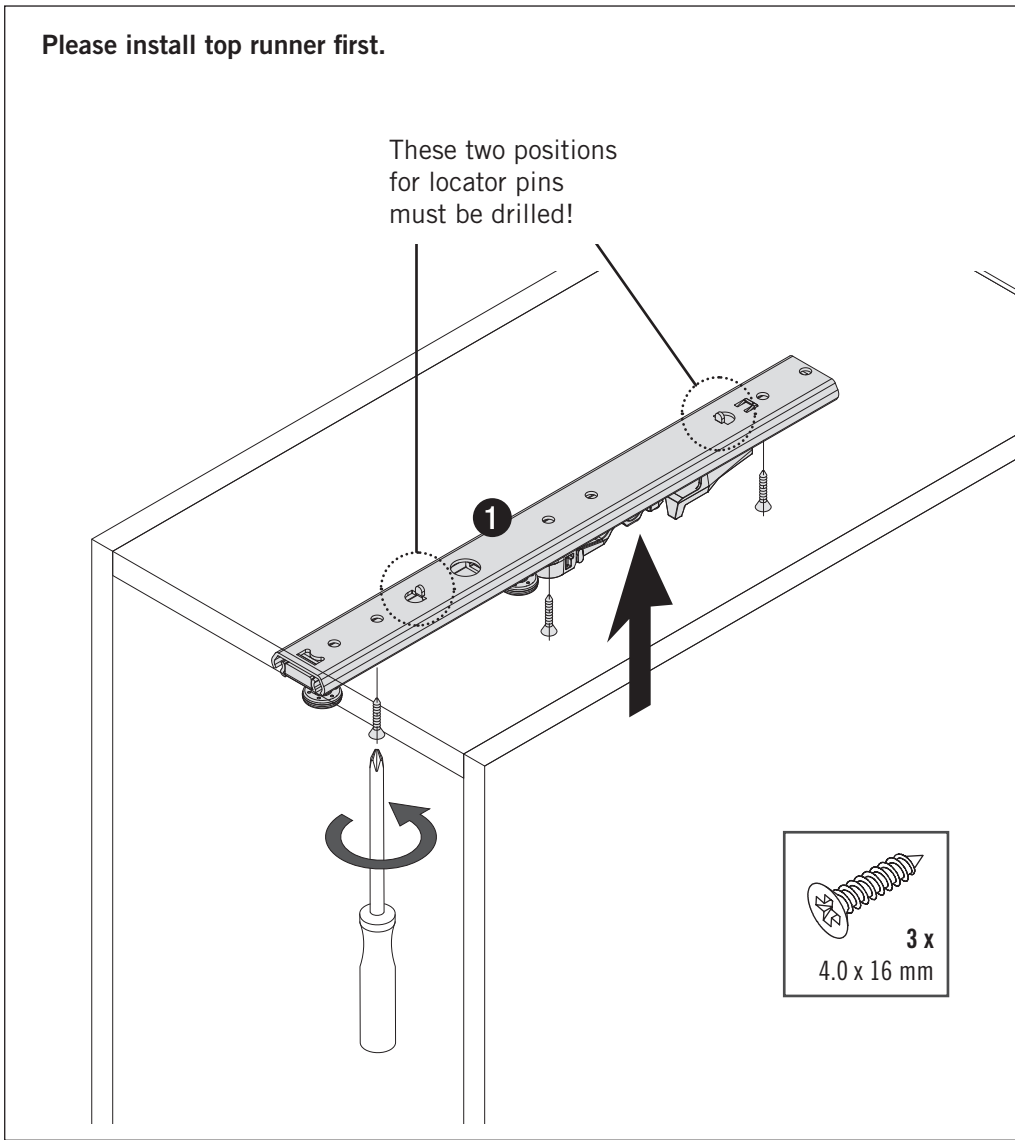
**VAUTH  
SAGEL**  
QUALITY  
MADE IN GERMANY





1

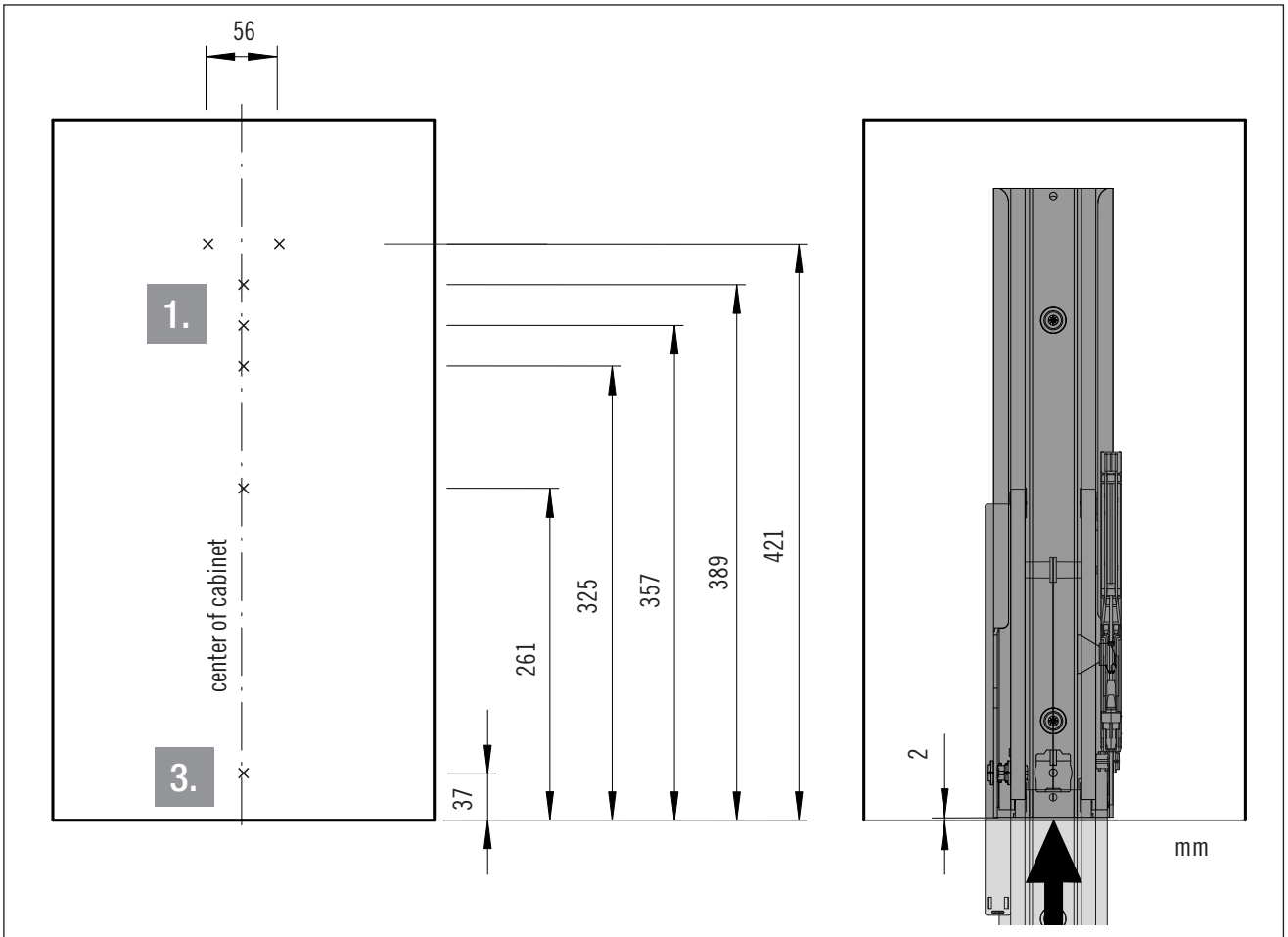
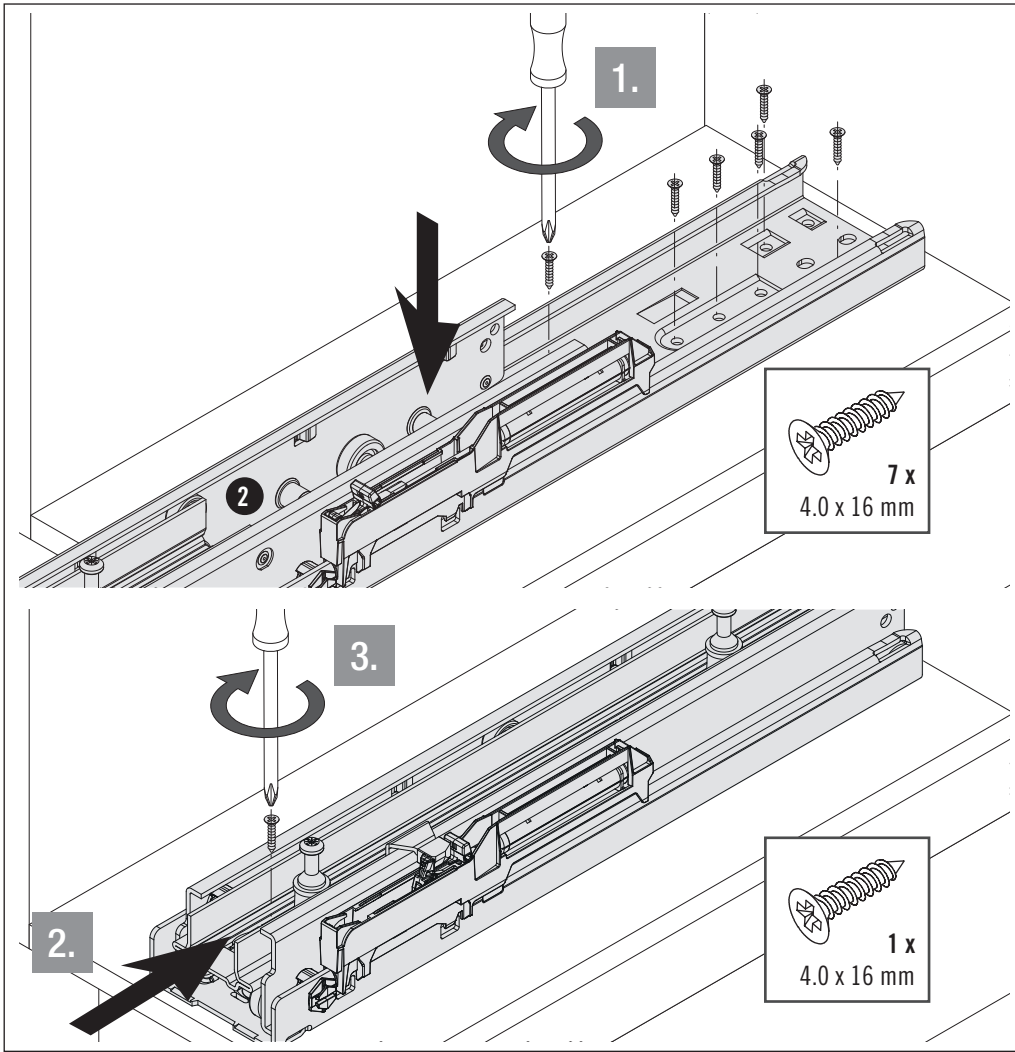
Please install top runner first.



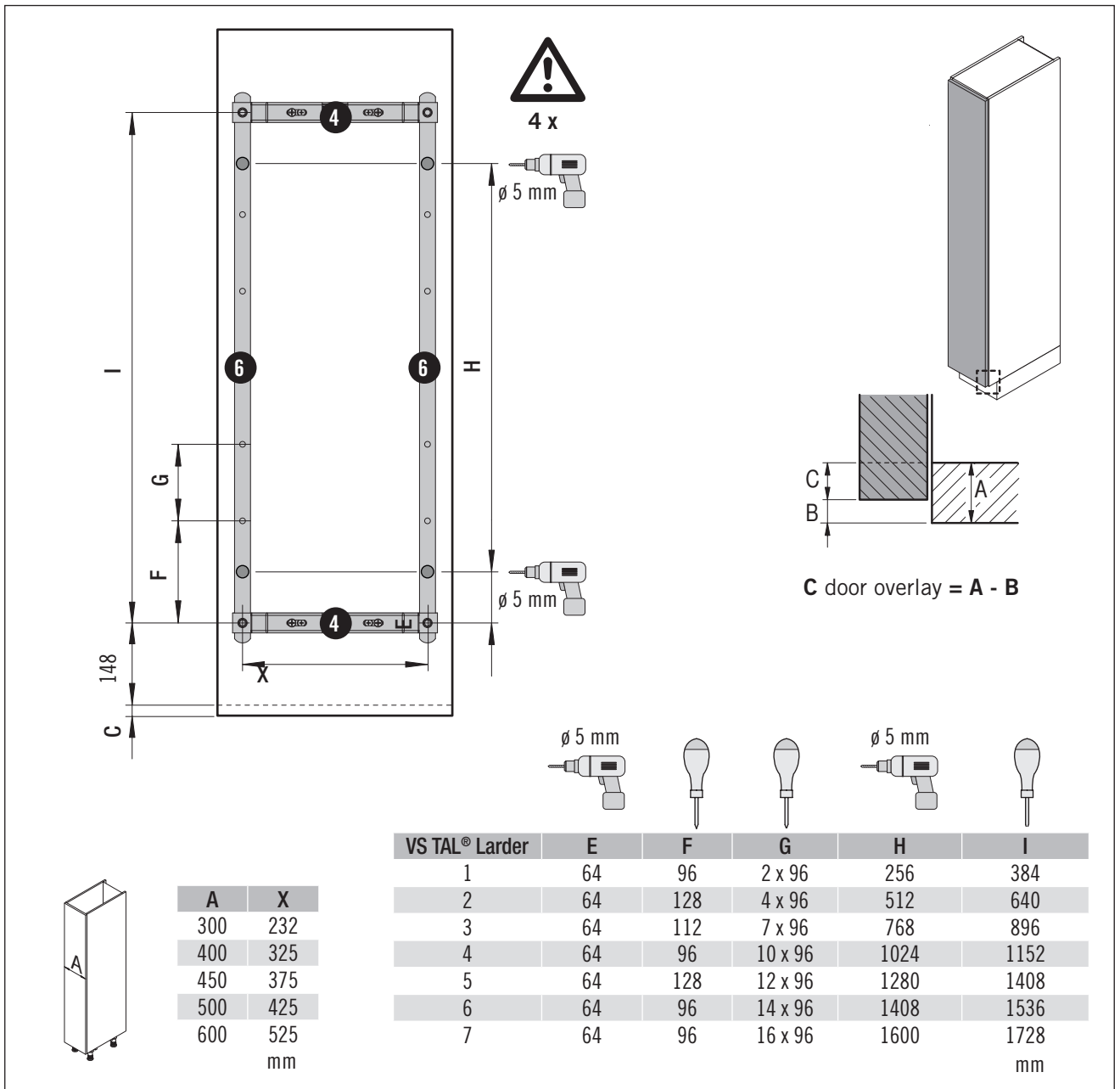
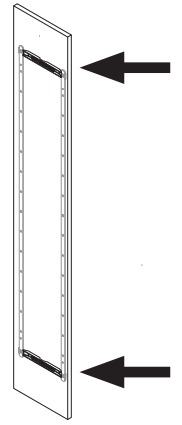
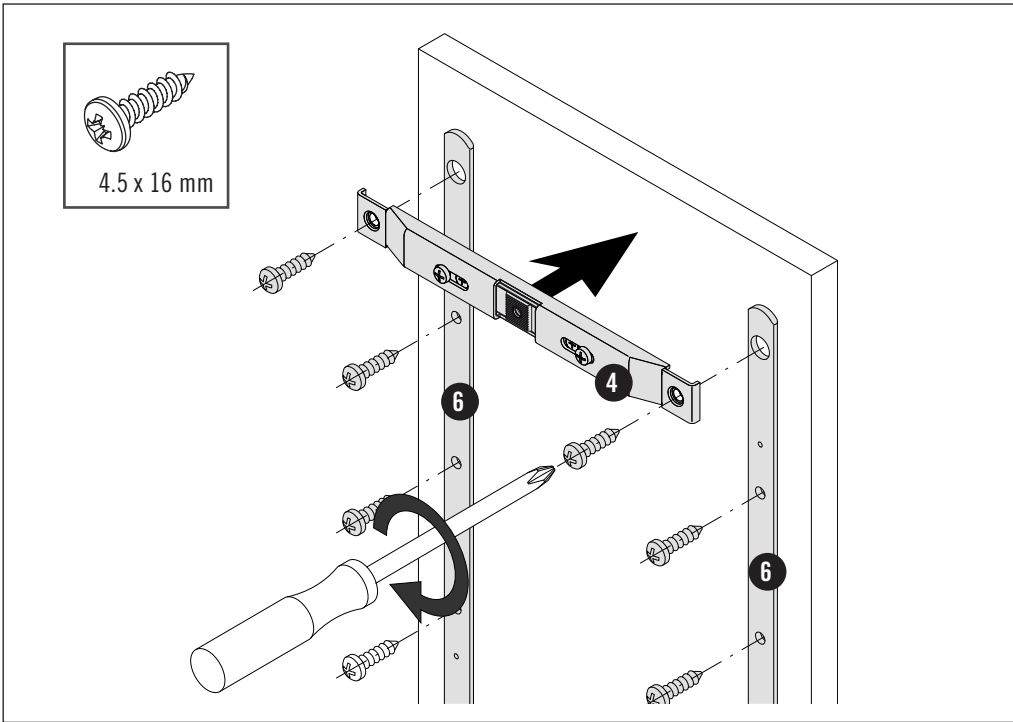
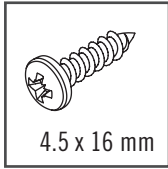
2



(PZ 2)

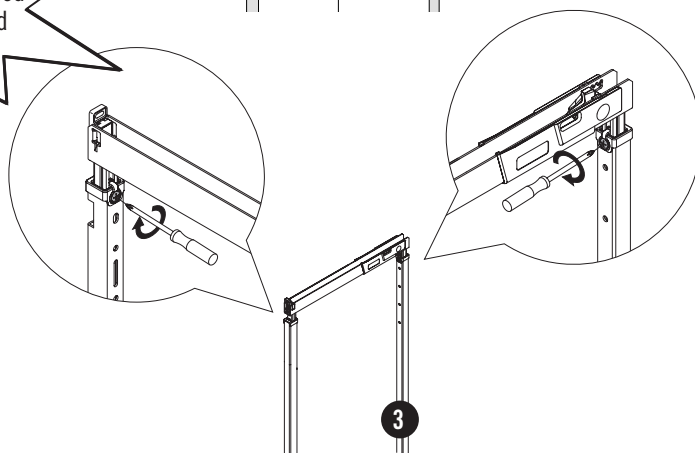
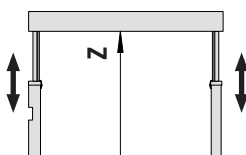
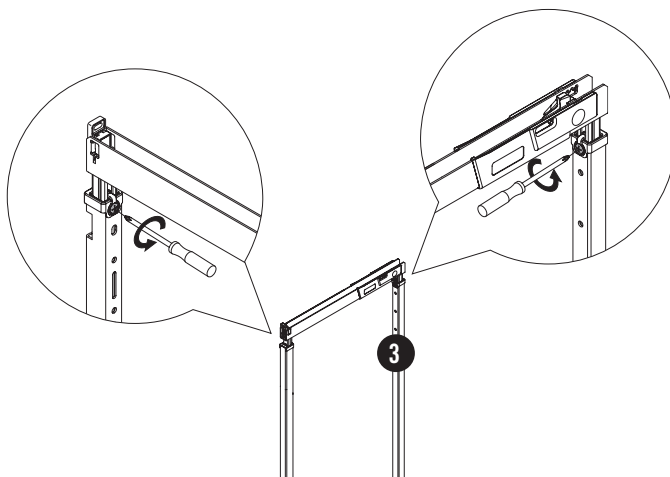
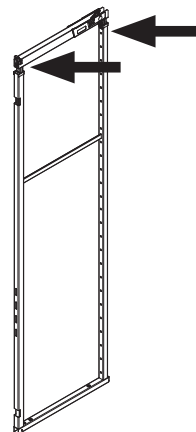
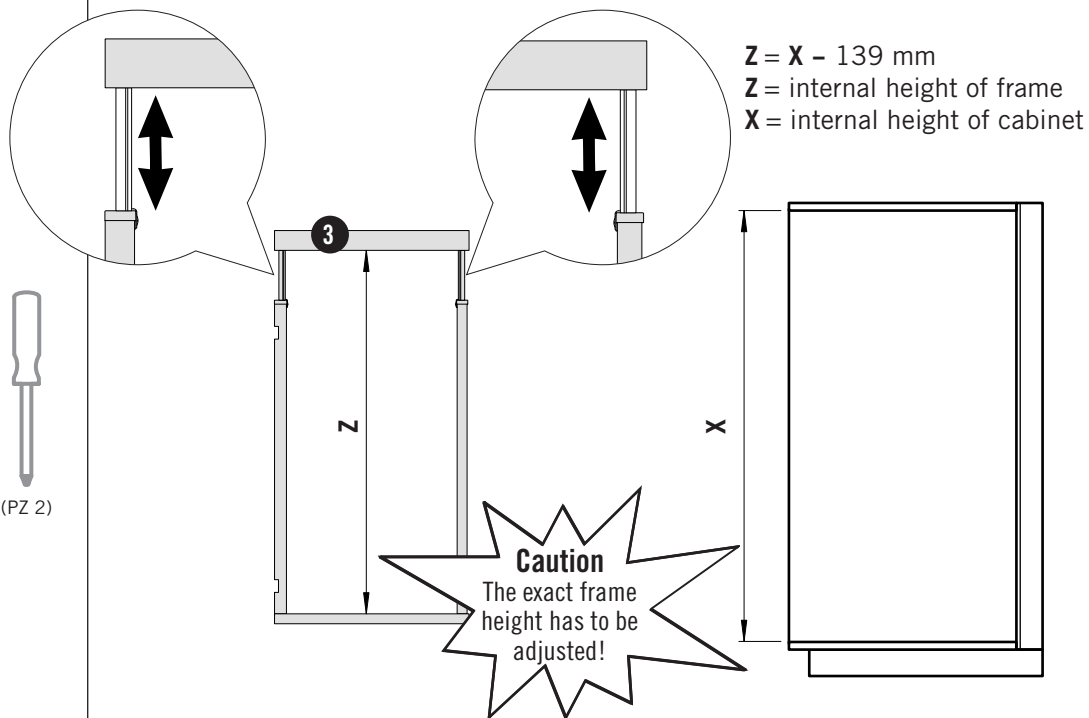


3



# 4

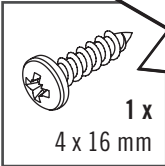
## Adjust the height of the frame!



5



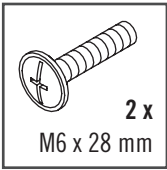
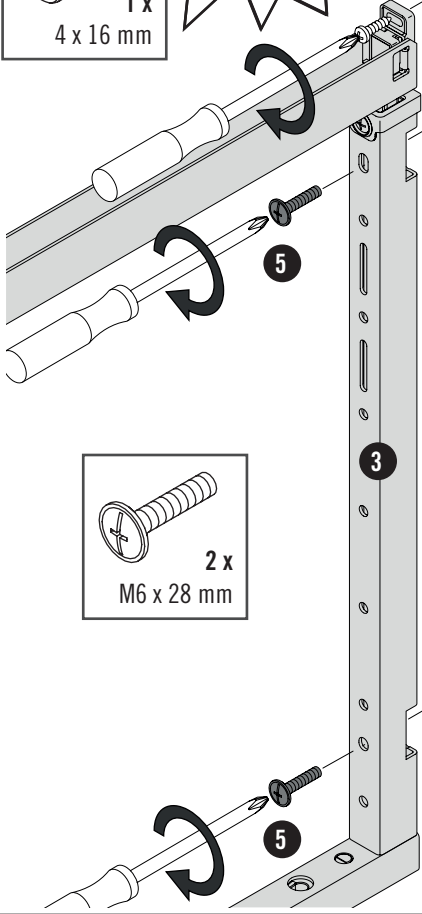
(PZ 2)



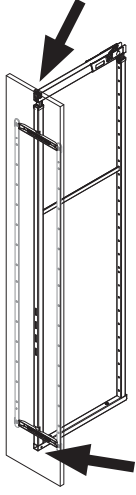
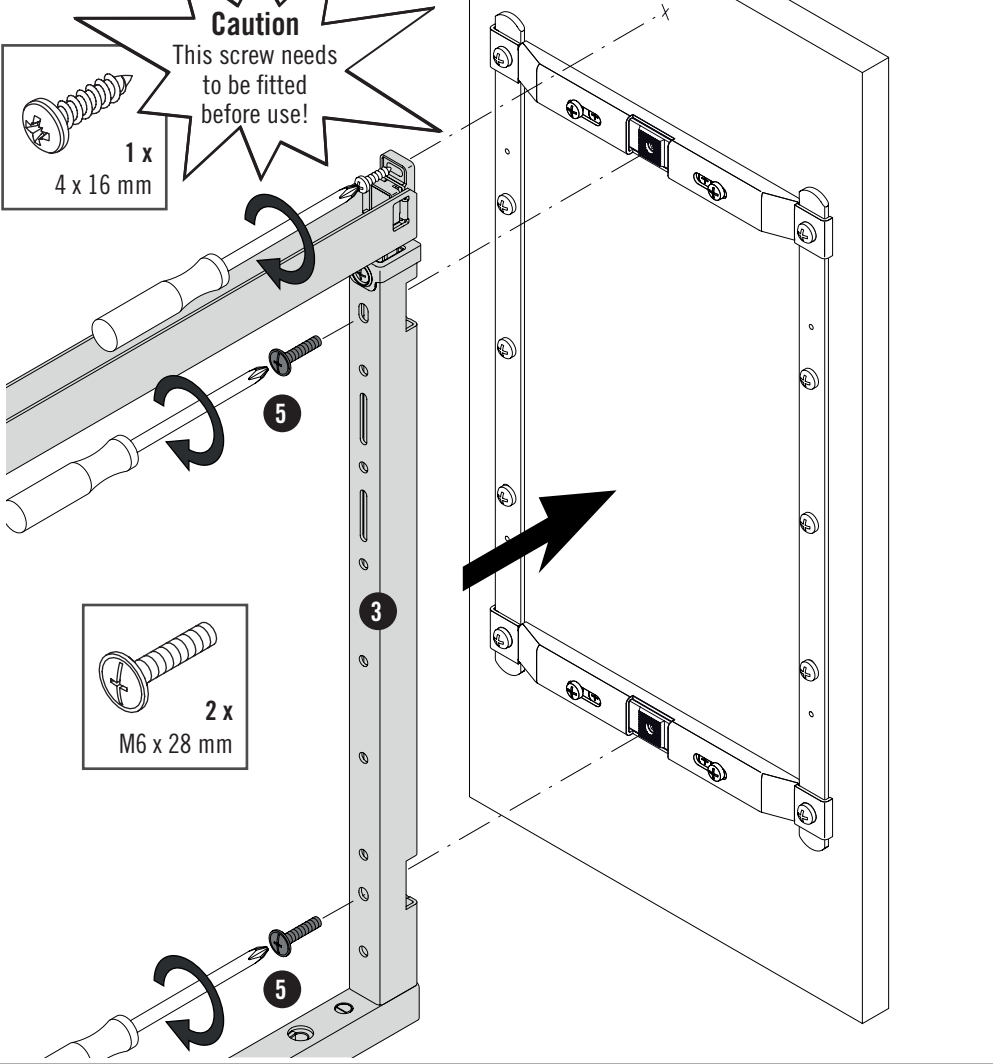
1 x  
4 x 16 mm

**Caution**

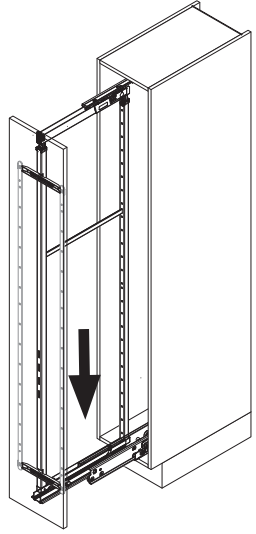
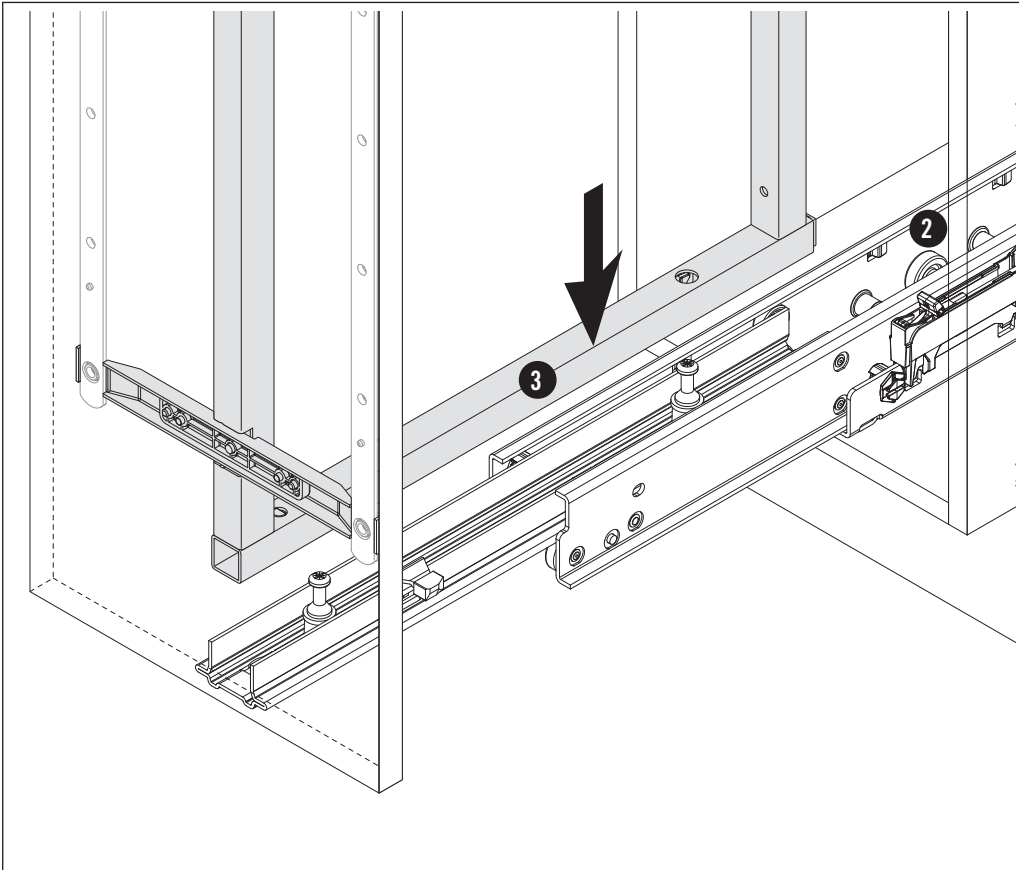
This screw needs to be fitted before use!



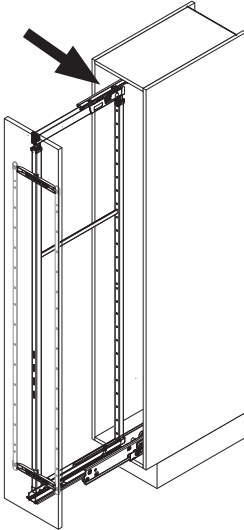
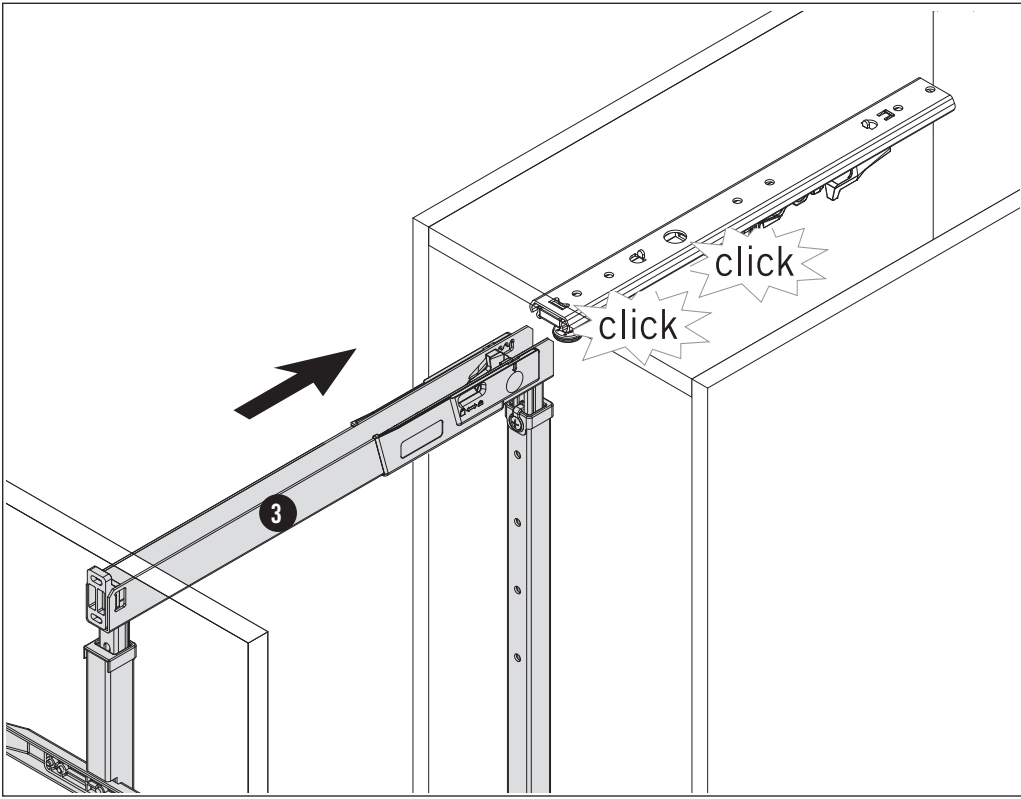
2 x  
M6 x 28 mm



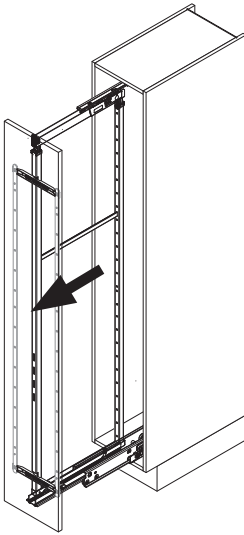
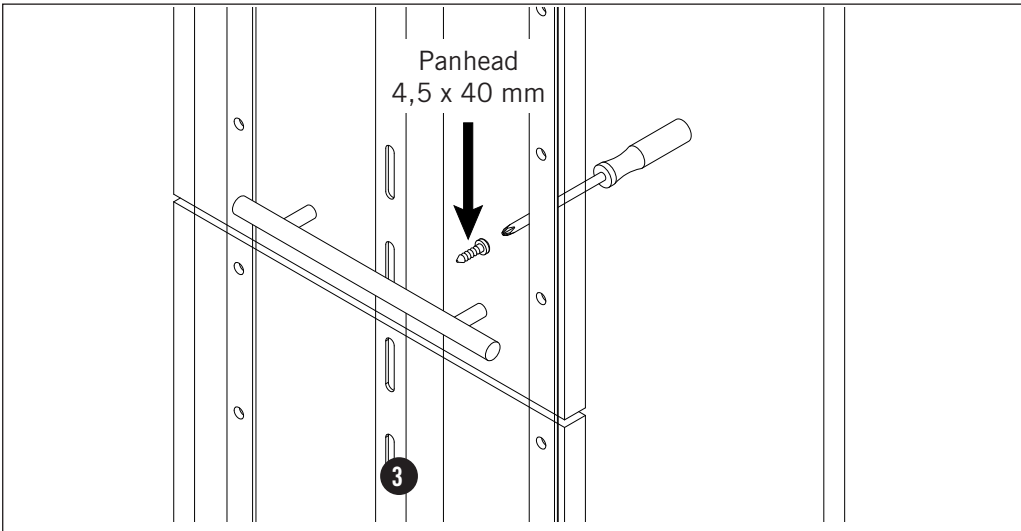
6



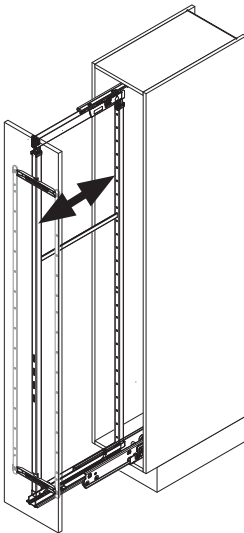
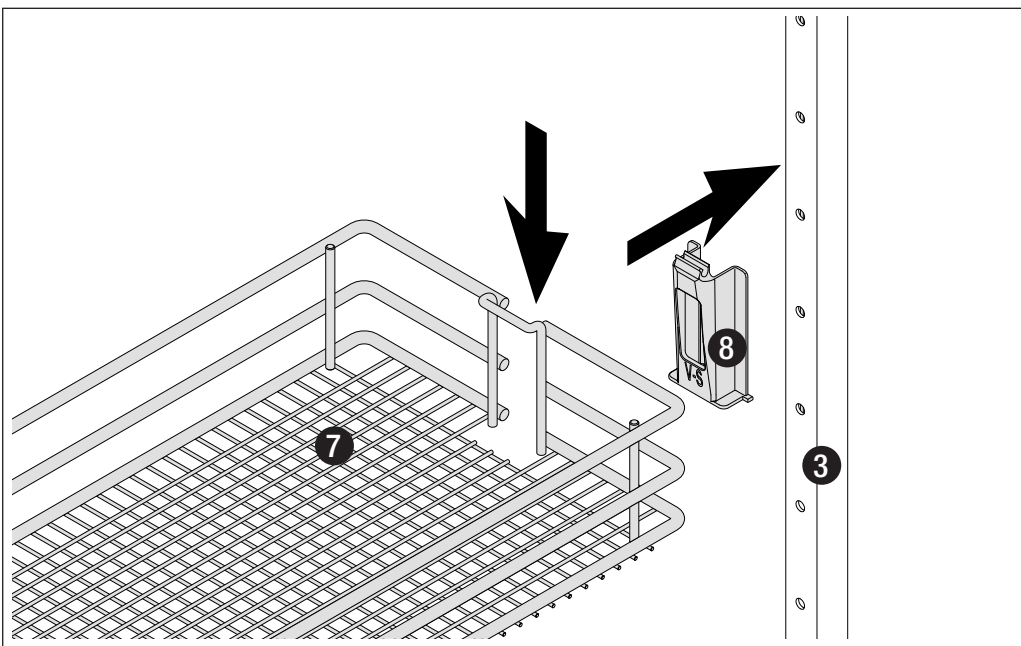
7



8



9

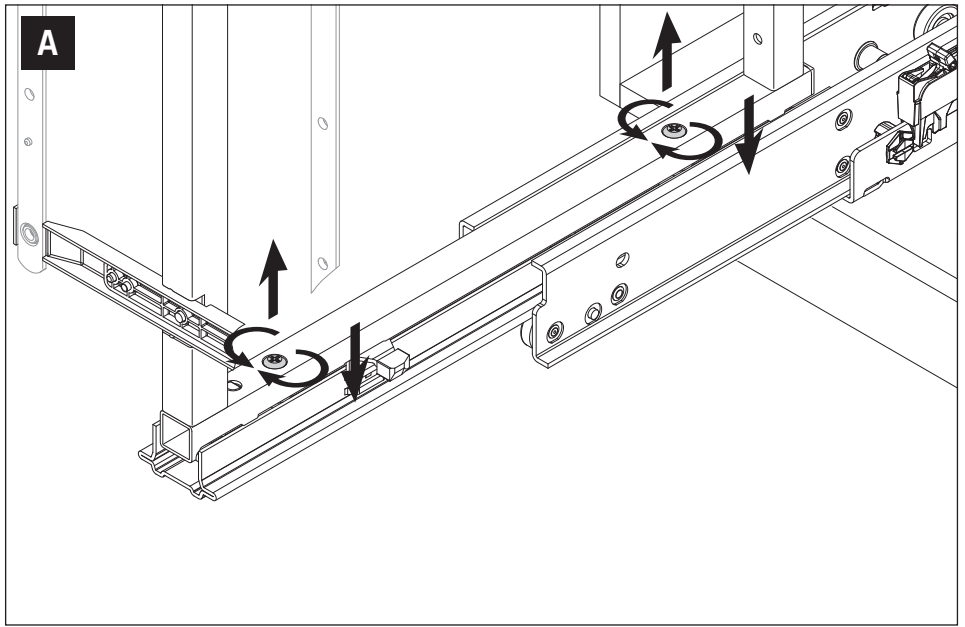
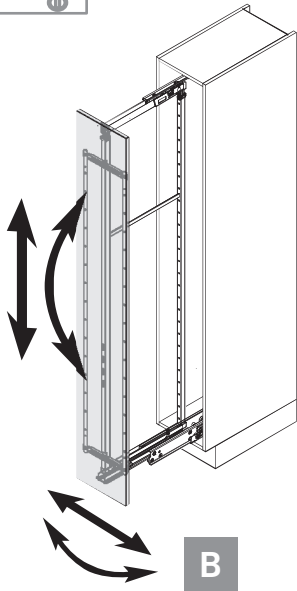




**A**



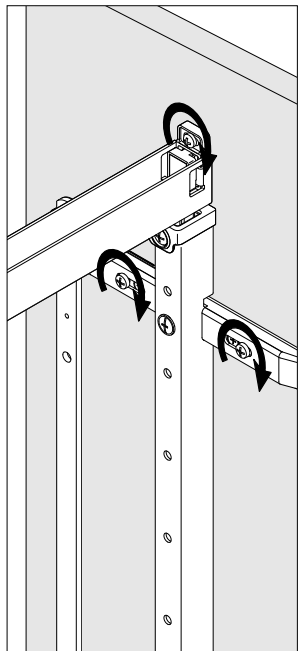
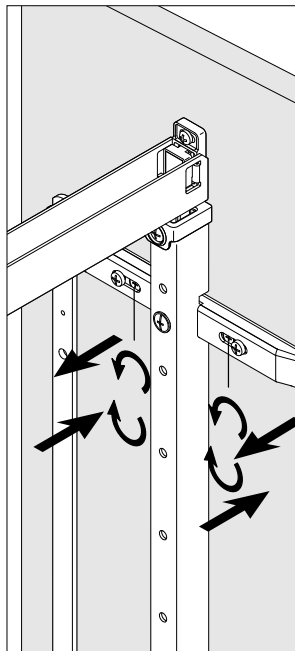
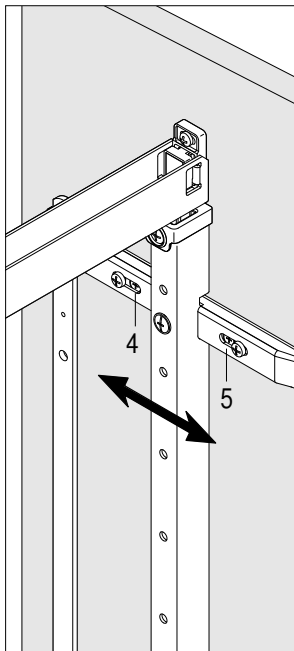
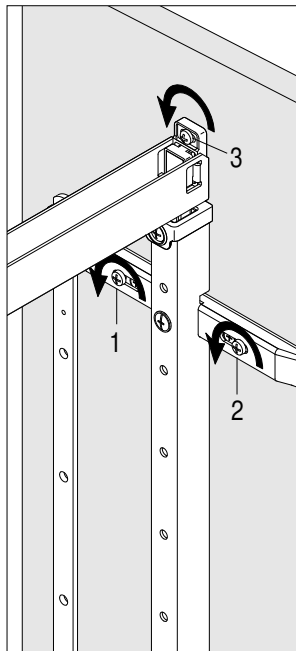
(PZ 2)



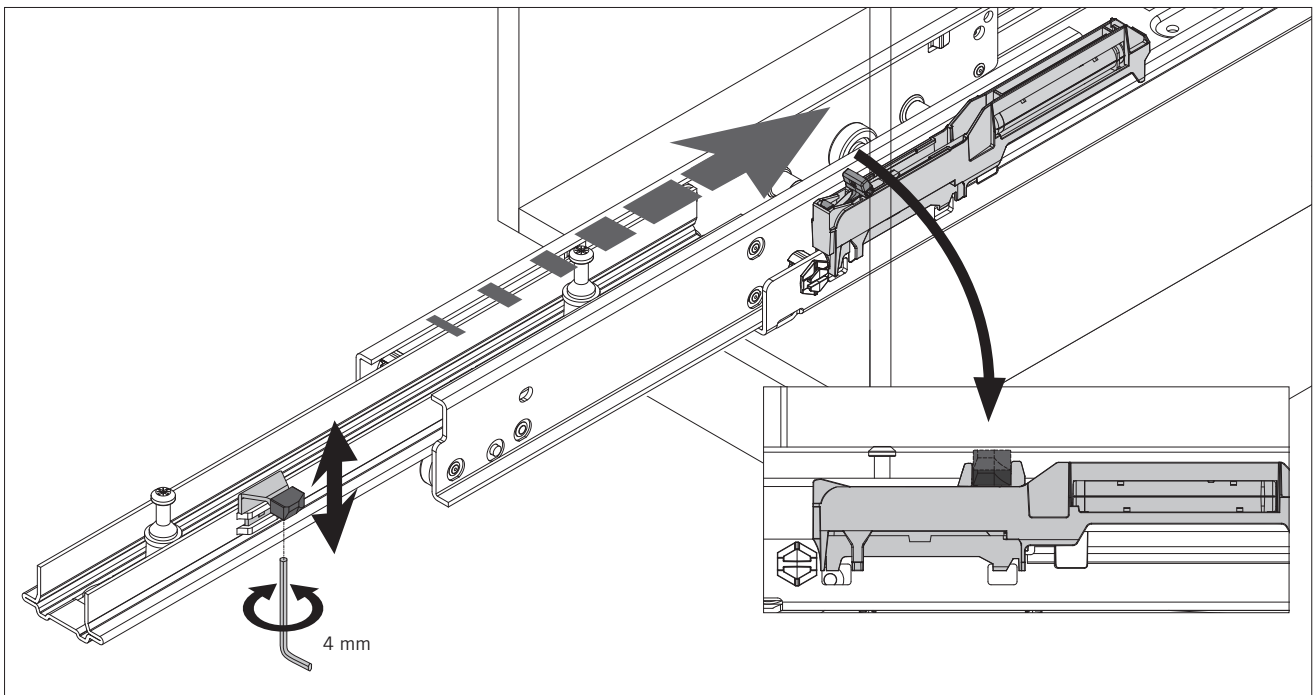
**B**



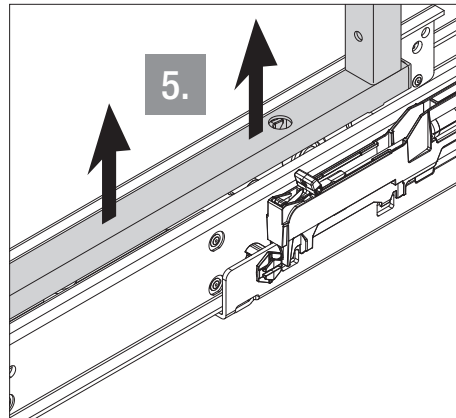
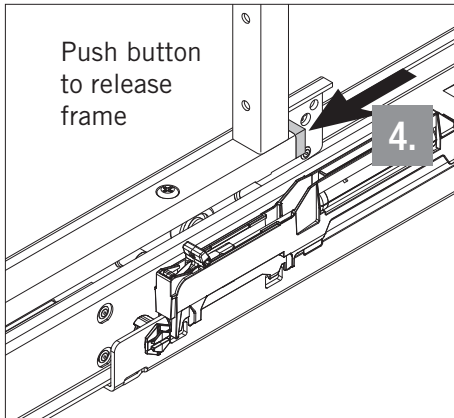
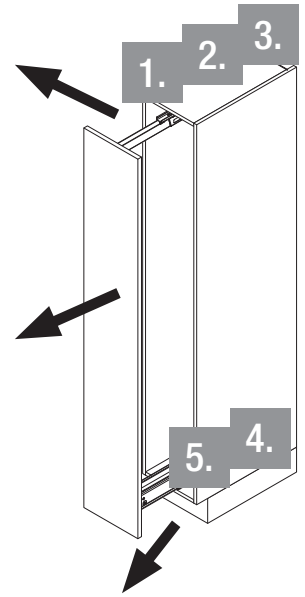
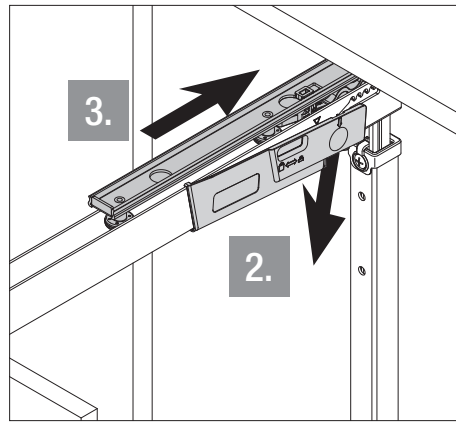
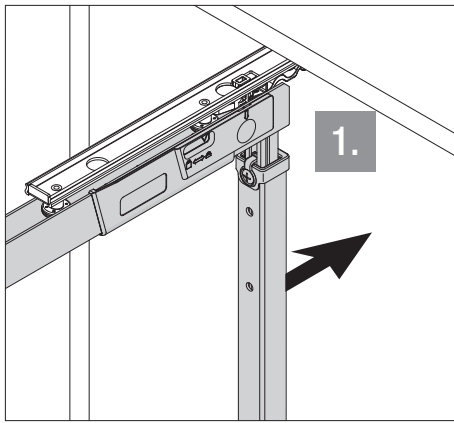
(PZ 2)



4 mm

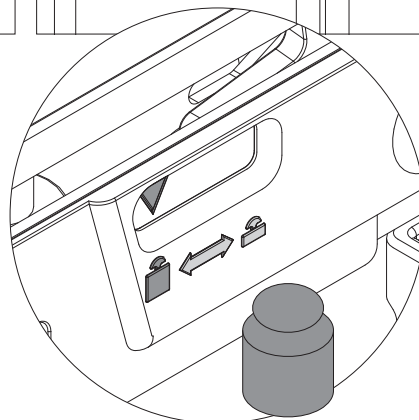
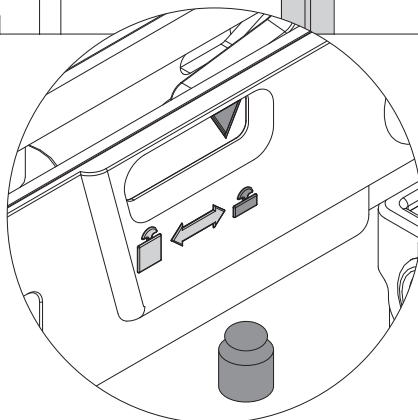
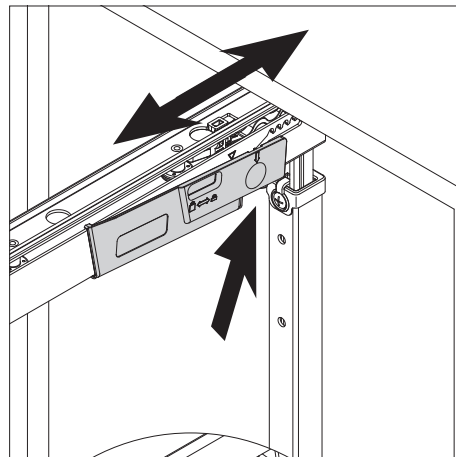
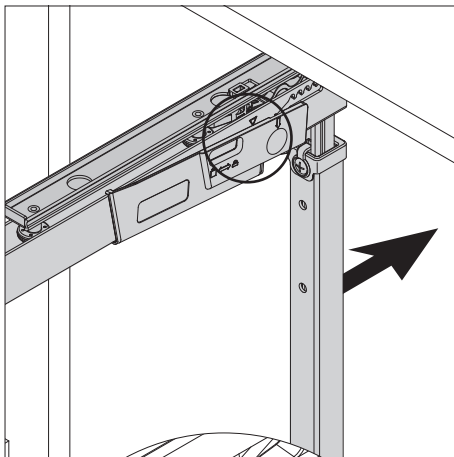


## Removal of the frame



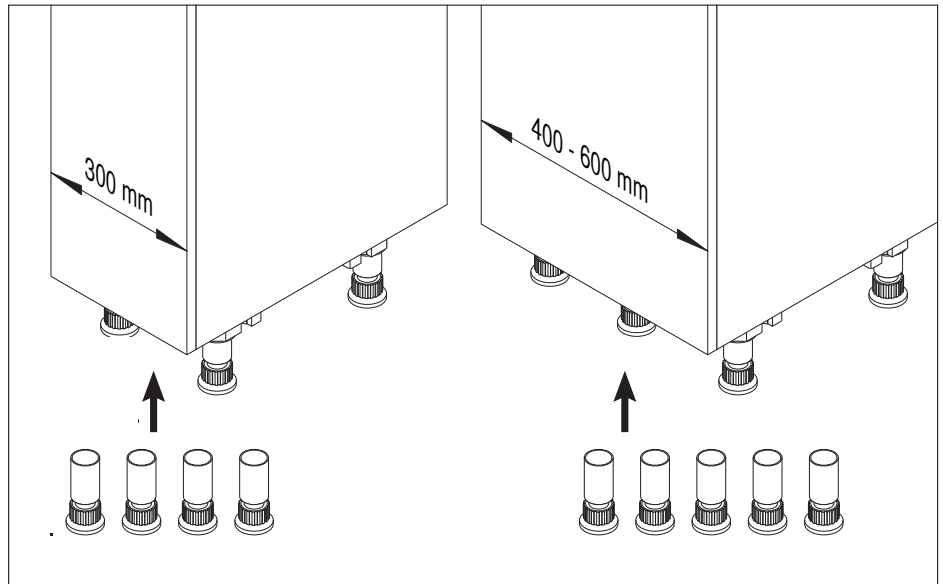
For reassembly follow from step 9

## Weight adjustment on frame



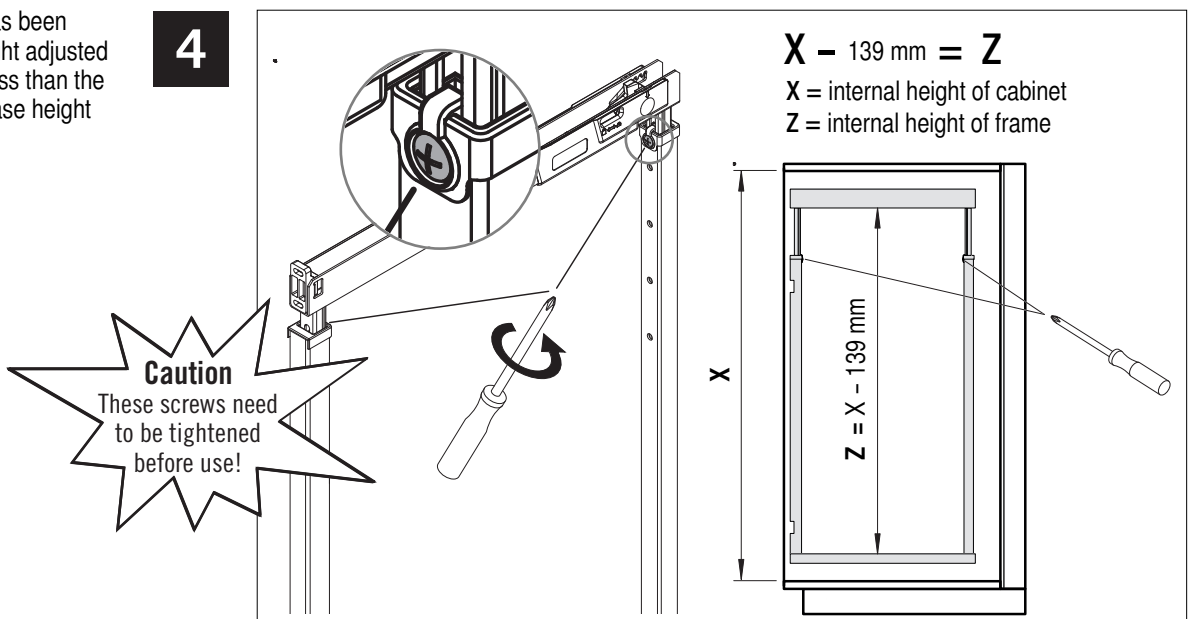
# BEFORE USE OF THIS LARDER UNIT PLEASE ENSURE THE FOLLOWING IMPORTANT SAFETY POINTS HAVE BEEN FOLLOWED.

On 400, 500 and 600 mm Width Versions ensure the 5<sup>th</sup> Plinth foot (included) has been fitted to the base in a central position (Page 2/12)



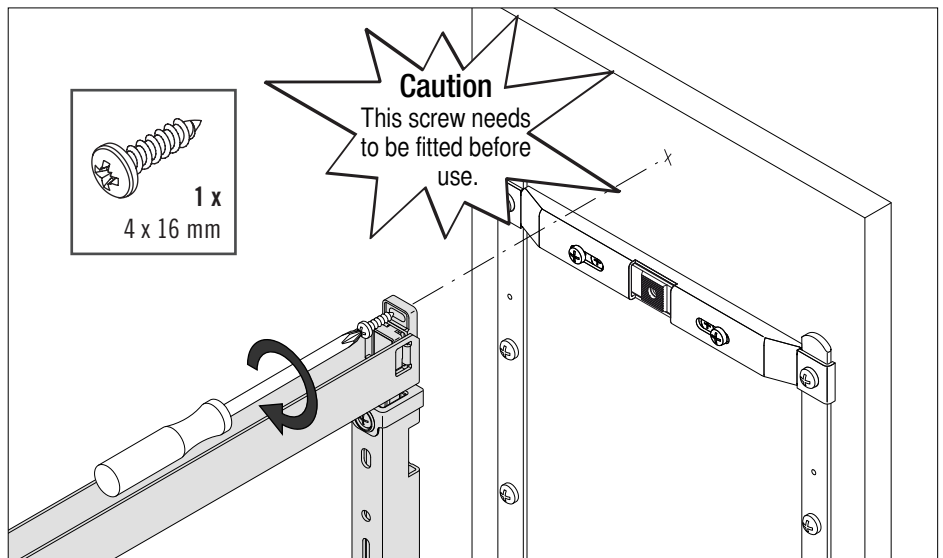
The frame has been correctly height adjusted to 139 mm less than the internal carcass height (Page 6/12)

**4**



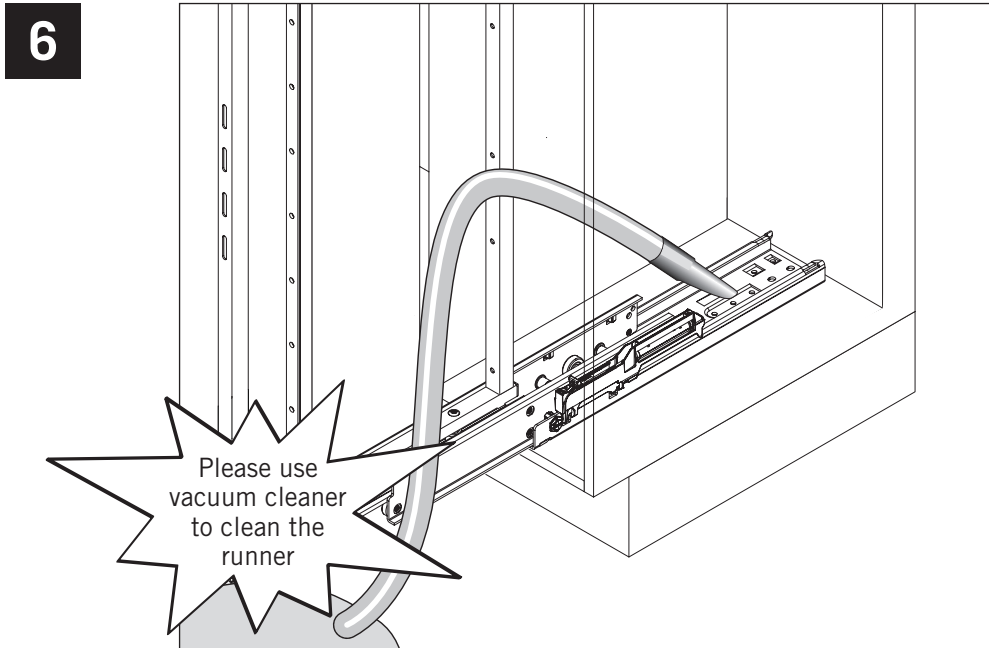
The security screw has been fitted through the top of the frame into the back of the top of the door (Page 6/12)

**5**

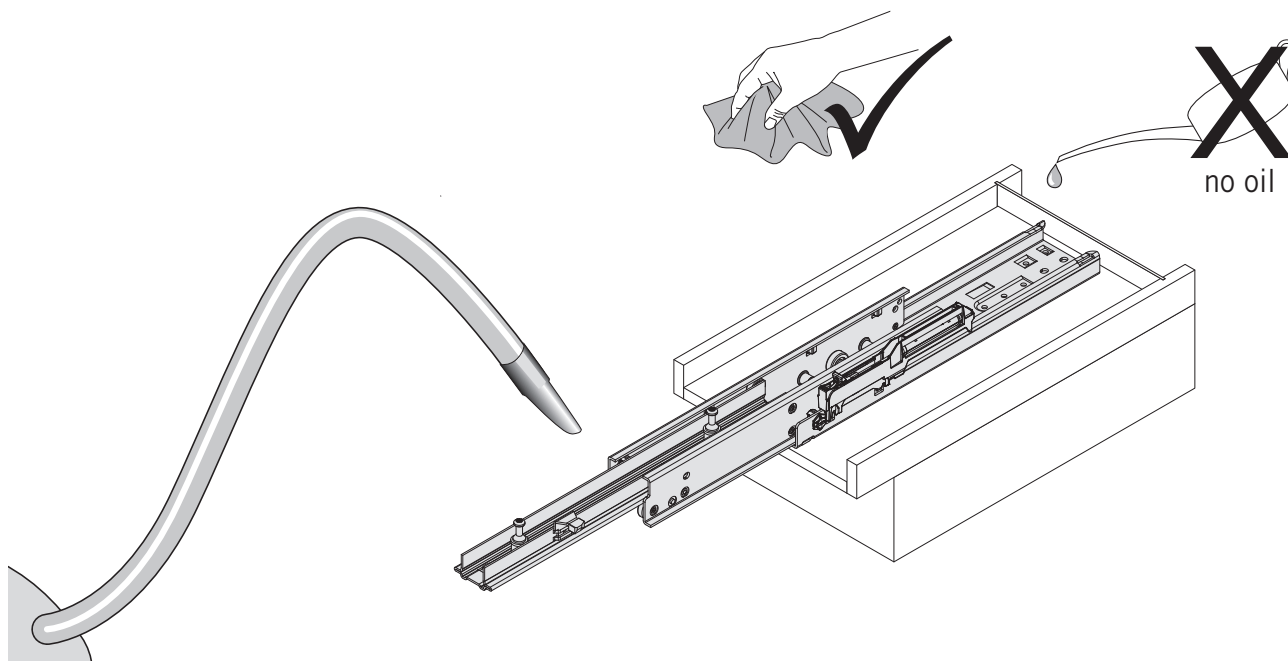


# BEFORE USE OF THIS LARDER UNIT PLEASE ENSURE THE FOLLOWING IMPORTANT SAFETY POINTS HAVE BEEN FOLLOWED.

The bottom runner is clear of dirt and debris - Please do not use any lubricants (Page 7/12)



## Cleaning the lower runner



clean with dry cloth and vacuum cleaner only