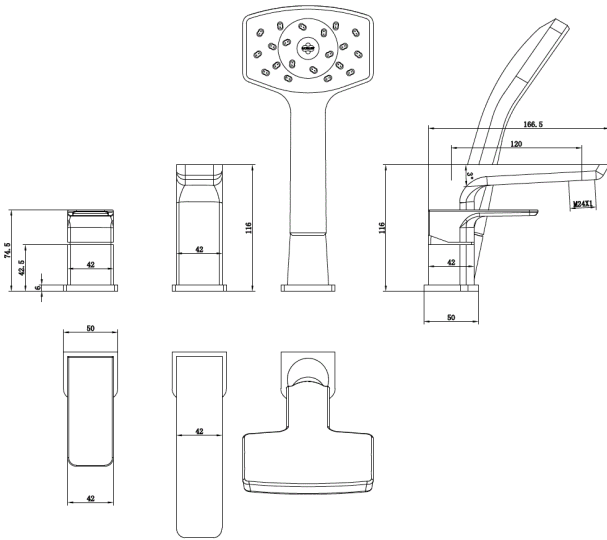


WAI 3 HOLE DECK BATH SHOWER MIXER CHROME



CONSTRUCTION: Brass
CARTRIDGE/VALVE TYPE: Ceramic Disc
SUPPLY: Suitable For All Plumbing Systems
INLET CONNECTIONS: 3/4" BSP
WORKING PRESSURES: 0.3 - 5.0 bar
OPERATION: Separate Flow And Temperature Controls

- Contemporary square design
- Complete with Waipori Satinjet handset regulated to 8 l/minute
- Water efficient without compromising showering performance
- Ceramic disc handles ensure a smooth operation

WAI3BSMCP

Chrome

Open Outlet Flow (Bar - l/min)

BAR	0.3	0.5	1.0	2.0	3.0	4.0	5.0
SPOUT FLOW	14	18.2	25.2	35.8	44.2	50.8	55
HANDSET FLOW	8	8	8	8	8	8	8



Please Note: Flow rate will be dictated by installation configurations.
 Please ensure to check the appropriate flow restrictor information if applicable.
 *Please refer to website for full warranty details.

FREEPHONE: 0800 195 1602 | FAX ORDERS: 08444 068 690 | EMAIL: SALES@UK.METHVEN.COM

methven.com

THE INFORMATION ON THIS SPECIFICATION DOCUMENT WAS CORRECT AT THE DATE OF ISSUE. SOME VARIATION MAY OCCUR DUE TO THE MANUFACTURING TOLERANCES AND SITE SPECIFIC CONDITIONS.