



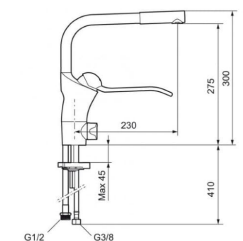
Independent 4 Life

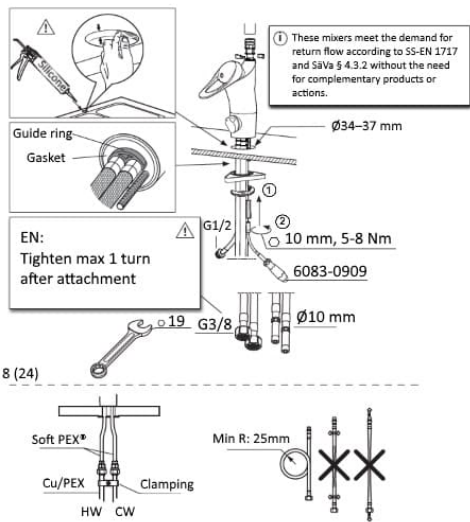
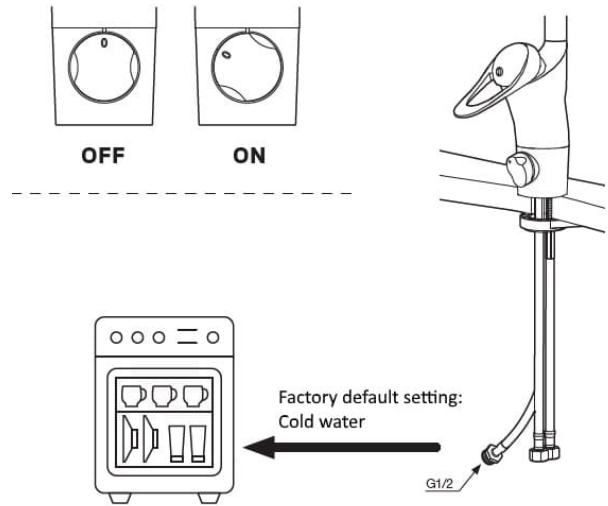
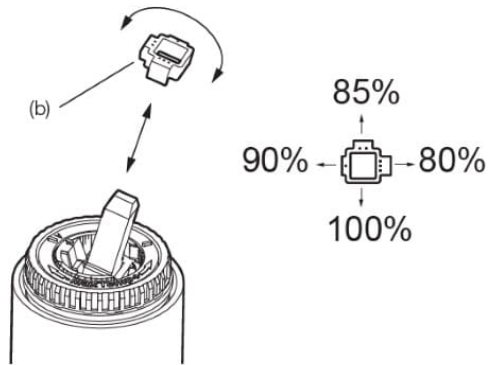
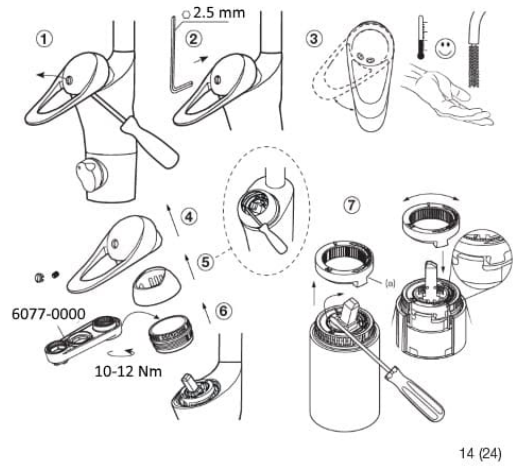
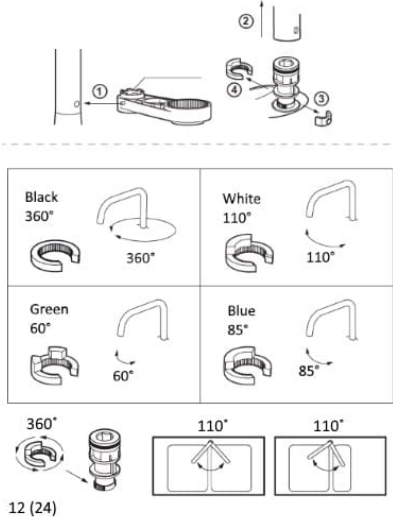
FMM - Granberg 60210 Kitchen Monobloc Mixer Tap, ADJ 360 deg. Spout - Incl. Dishwasher Shut Off

£619.68 Inc. VAT

Product Code: 60210

Product Images





Description

FM Mattsson kitchen mixer tap with a dishwasher shut off valve. This monobloc tap offers the greatest flexibility to suit any accessible kitchen design and layout and is designed for ease of use particularly by those with limited hand dexterity. The dishwasher shut off valve offers the additional functionality of controlling the dishwasher's water supply from the base of the tap.

Manufactured by FM Mattsson, based on the 9000 Series kitchen taps, for Granberg.

Benefits:

- Deck mounted, monobloc mixer tap, with 190mm lever
- Chromium plated brass
- Dishwasher cut off - Factory set at cold
- The dishwasher cut off - water temperature can be adjusted
- Cold Start
- Eco Flow (energy and water saving aerator)
- Adjustable flow control and temperature limiter
- Ceramic cartridge with soft closing function
- Swivel spout, includes limitation part for setting rotations of 60°, 85°, 110° and 360°
- Spout can be fixed not to rotate
- Manufactured by FM Mattsson, based on the 9000 Series kitchen taps
- Also available Granberg kitchen mixer tap without the dishwasher shut off valve (Product code: 60211)
- See PDF download for more information

Technical details:

- Lever length (mm): 190
- Tap height (mm): 300
- Tap spout projection (mm): 230
- Min. working pressure (bar): 0.5
- Max. working pressure (bar): 10
- Max. test pressure (bar): 16
- Max. hot water temperature (°C): 80
- Required mounting hole dia. (mm) 34–37
- Max. mounting surface thickness (mm): 45
- Soft PEX® hoses with 3/8" connecting nut (stainless steel braided)

Warranty:

- 5 years Pressure Guarantee

Additional Information

Manufacturer	Granberg
Tap Style	Monobloc Mixer - Single Lever, Incl. Dishwasher Shut Off
Mounting	Deck / Sink
Water Pressure	Low, Normal Mains, High Pressure Systems
Technologies	Temperature Control Lever, Aerator Outlet, Water Saving, Ceramic Disc, Swivel Spout